

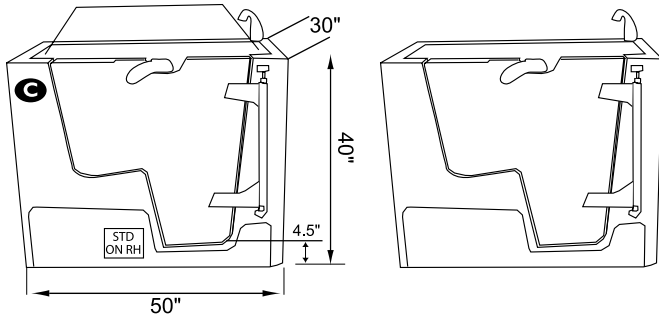
R5030

50" x 30" x 40"

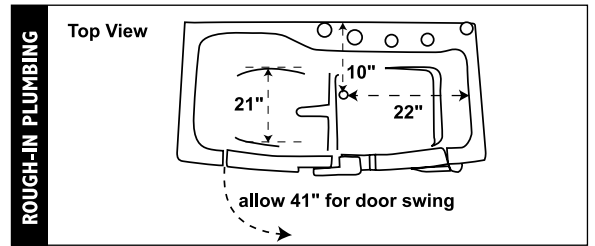
Gallons to operate: 55-76 with 170lbs bather

Air Silver #RAS5030 LH/RH | \$10,495

Bathtub #RTO5030 LH/RH | \$8,995



Right Hand Shown



Left Hand Shown

FEATURES	Air Silver		
JETS — Total number of jets	12		
Metallic Trim Kit PC	Incl		
PUMPS			
Air Heat Pump	Incl		
Whisper Flo™ Heat Pump			
HEATER			
Heater Inline/Electric	N/A		
Whisper Flo™ Heat System	N/A		
CONTROLS			
Air Switch on/off	N/A		
Whisper Flo™ Heat Pump	N/A		
Electronic	Incl		

FEATURES	Air Silver		
GRAB BAR			
White	2-Incl		
TILE FLANGE			
	\$175		
DRAIN KITS			
PC	PC Incl		
FAUCET & HAND SHOWER			
	Incl		
STANDARD COLORS			
White	Incl		

R5030 SLIDE-IN BATH

The R5030 is a free standing, or built-in, side access walk-in tub with superior features that make the R5030 unique in both quality and functionality. Offering the utmost in versatility with its distinctive contoured design for ultimate clearance and comfort.

