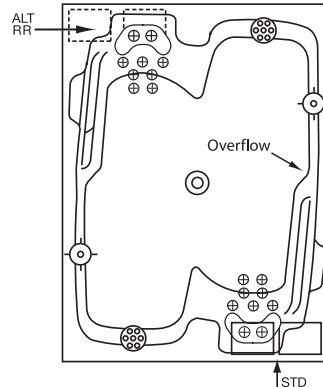
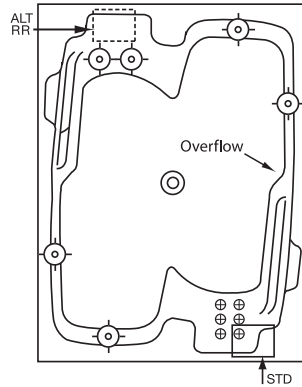
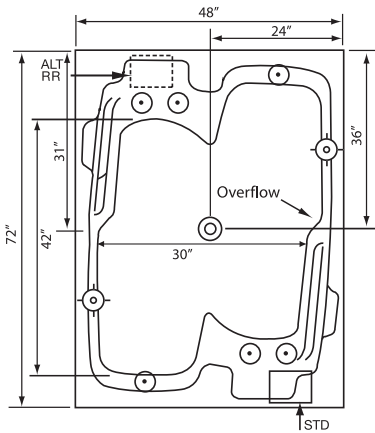


Silver Series \$3290
#AS7248

Gold Series \$3995
#AG7248

Platinum Series \$6490
#AP7248

Soaking Tub \$2650
**#ATO7248



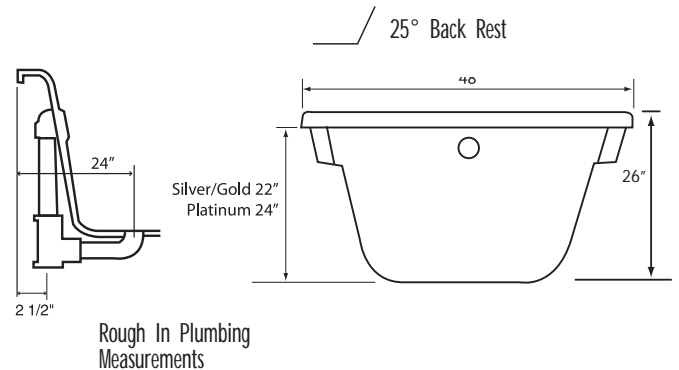
Equipment Legend

- Accu-Massage
- Micro Flow or Opt. Micromassage
- Ultra Flow or Optional Ultra Massage
- Sole Soother
- Neck Masseur Pillow
- Pump
- Alt. Pump
- Pump Access (18"x18" required)
*Some pump locations & plumbing may extend beyond perimeter of bath

Electrical Specifications

	Silver	Gold	Platinum
Pump Requirement			
115V 15AMP w/GFCI	1		
115V 20AMP w/GFCI		1	2
Inline Heater Requirement			
115V 15AMP w/GFCI	optional	1	1
Gallons to Overflow	127 gal		
Gallons to Operate	70-121 gal		

NOTE: Specifications are $\pm 1/4"$ and features are subject to change without notice
All final measurements should be taken from tub on site

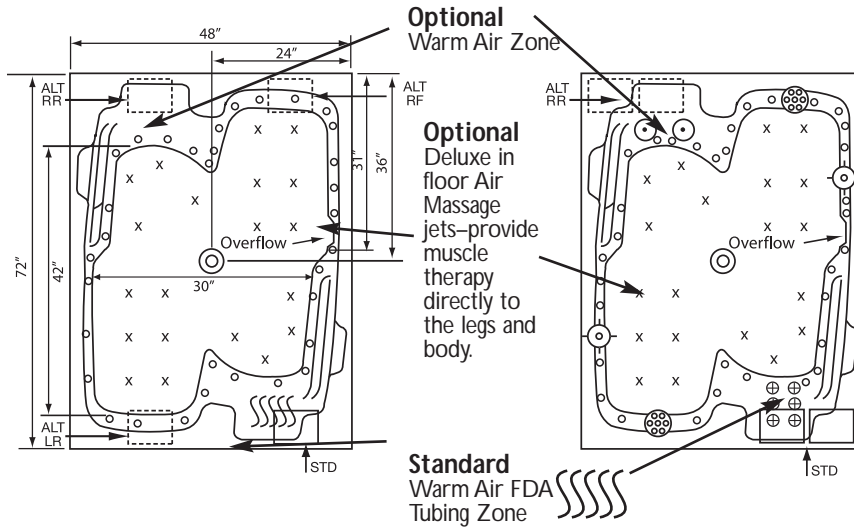


Features

	Silver Series	Gold Series	Platinum Series		Silver Series	Gold Series	Platinum Series
JETS							
Total number of jets	8	12	22	Aromatherapy Fragrance System	\$195	\$195	\$195
Accu-Massage	N/A	6	18	Fragrance Refills	\$16.95	\$16.95	\$16.95
Micro Flow	6	N/A	N/A	Hydrocleanse Whirlpool Sys Clnr	\$19.95	\$19.95	\$19.95
Micro Massage (each)	\$40	\$40	N/A	GRAB BAR			
Ultra Flow	2	6	2	Bolt on PB, PC, SN, WH, ALM, BISC, ORB	\$125ea.	\$125ea	2-Incl.
Ultra Massage (each)	\$50	\$50	\$50	Standard Grab Bars will be color coordinated to match whirlpool			
Sole Soother Seven (N/A in Metallic)	N/A	N/A	2	DRAIN KITS			
Back Masseur System	N/A	Incl.	Incl.	Lift N Turn PB, PC, SN, WH, ALM, BISC, ORB	\$95	Incl.	N/A
Neck Masseur Pillow (incl 2 jets)	N/A	\$450	2-Incl.	Deluxe Cable Drain PB, PC, SN, WH, ALM, BISC, ORB	\$250	\$250	Incl.
Metallic Trim Kit PC, PB, SN, ORB	\$250	\$300	\$400	Standard drain colored to match whirlpool with ABS rough unless specified otherwise			
PUMPS				LIGHTS			
2.25 Hydro Power 1 speed	Incl.	N/A	N/A	Mood Light	\$195	\$195	Incl.
2.25 Hydro Power 3 speed	\$250	N/A	N/A	Chromatherapy	\$395	\$395	\$395
3.25 Hydro Power 3 speed	\$350	Incl.	2-Incl.	PILLOW			
Alternate Pump Location*	Incl.	Incl.	Incl.	Deluxe Oval	\$80	2-Incl.	N/A
Custom Pump Location(s)	\$180	\$180	\$180ea	STANDARD COLORS			
HEATER				White Bone Almond Biscuit	Incl.	Incl.	Incl.
Heater Inline/Electric	\$395	Incl.	Incl.	Design Colors-refer to page 5	\$495	\$495	\$495
Hydro Clean Sanitation System	\$495	\$495	\$495	EZ LEVEL QUIET BASE	N/A	\$300	Incl.
CONTROLS				Alters deck height. Contact factory.			
Air Switch on/off	Incl.	Incl.	N/A	EZ LEVEL BARS	\$150	\$150	N/A
				‡ Rush order 72 hour manufacturing (contact factory)	\$495	\$495	\$495
				Shipping Boxes	\$90	\$90	\$90

Air Massage Series \$4390
#AA7248

Combination Series \$6795
#AC7248



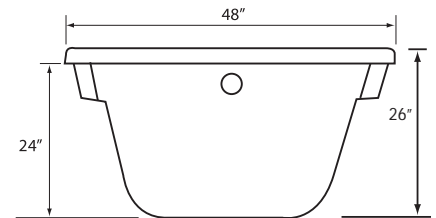
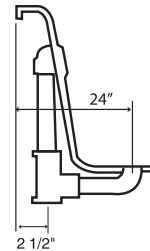
Equipment Legend

- X Optional deluxe in floor air massage jets
 - Turbo Air Jet
 - ⊕ Accu-Massage
 - Micro Flow or Optional Micromassage
 - ⊙ Ultra Flow or Optional Ultra Massage
 - ⊙ Sole Soother
 - ⊕ Neck Masseur Pillow
 - Pump
 - ⊖ Alt. Pump
 - Pump Access (18"x18" required)
*Some pump locations & plumbing may extend beyond perimeter of bath
- Heated FDA Tubing Zone
-

Electrical Specifications

	Air Massage	Combination
Pump Requirement		
115V 15AMP w/GFCI	1	1
115V 20AMP w/GFCI		1
Inline Heater Requirement		
115V 15AMP w/GFCI		1
Gallons to Overflow	127 gal	
Gallons to Operate	70-121 gal	

NOTE: Specifications are ± 1/4", features and prices are subject to change without notice
All final measurements should be taken from tub on site



Rough In Plumbing Measurements

Features

	Air Massage Series	Combination Series	Air Massage Series	Combination Series	Series
JETS					
Total number of jets	24	36	AROMATHERAPY FRAGRANCE SYSTEM	\$195	\$195
Deluxe air systems	\$995	\$995	Fragrance Refills	\$16.95	\$16.95
Accu-Massage	N/A	6	HYDROCLEANSE WHIRLPOOL SYS CLNER	\$19.95	\$19.95
Micro Flow	N/A	2	GRAB BAR		
Micro Massage (each)	N/A	\$40	Bolt on PB, PC, SN, WH, ALM, BISC	\$125 ea.	2-Incl.
Ultra Flow	N/A	4	Standard Grab Bars will be color coordinated to match whirlpool		
Ultra Massage (each)	N/A	\$50	DRAIN KITS		
Sole Soother Seven (N/A in Metallic)	N/A	2-Incl.	Lift N Turn PB, PC, SN, WH, ALM, BISC, ORB	Incl.	N/A
Back Masseur System	N/A	Incl.	Deluxe Cable Drain PB, PC, SN, WH, ALM, BISC, ORB	\$250	Incl.
Neck Masseur Pillow (incl 2 jets)	N/A	\$450	Standard drain colored to match whirlpool with ABS rough unless specified otherwise		
Metallic Trim Kit PC, PB, SN, ORB	\$350	\$600	LIGHTS		
PUMPS					
1.25 AP variable speed	Incl.	Incl.	Mood Light	\$195	Incl.
3.25 Hydro Power 3 speed	N/A	Incl.	Chromatherapy	\$395	\$395
Pump Location/Alternate*	Incl.	Incl.	PILLOW		
Custom Pump Location(s)*	\$180	\$180ea	Deluxe Oval	2-Incl.	2-Incl.
HEATER					
Heater Inline/Electric	N/A	Incl.	STANDARD COLORS		
HydroClean Sanitation System	N/A	\$495	White Bone Almond Biscuit	Incl.	Incl.
CONTROLS					
Air Switch on/off water pump	N/A	Incl.	Special Colors-refer to page 5	\$495	\$495
Electronic variable speed	Incl.	Incl.	EZ LEVEL QUIET BASE	Incl.	Incl.
‡ Rush order 72 hour manufacturing (contact factory)					
				\$495	\$495
				\$90	\$90