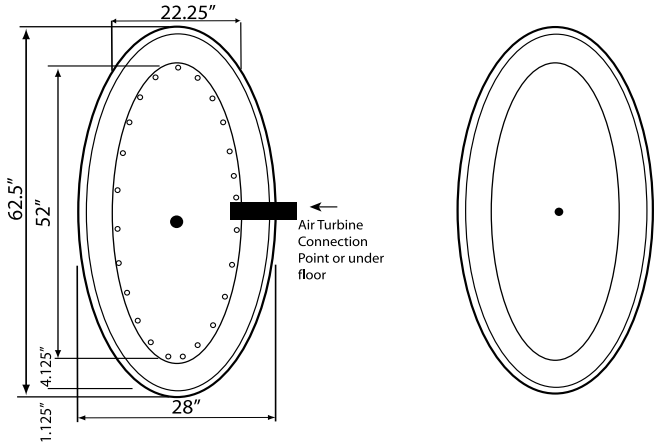


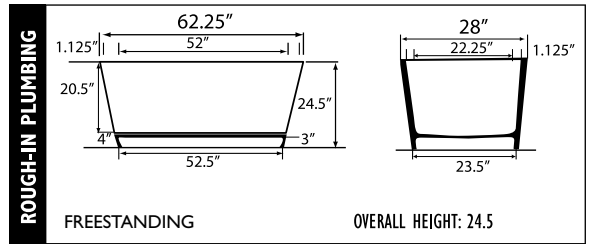
Air Gold #BGA6228-FS	Bathtub #BTO6228-FS	
\$9,580	\$7,495	



NOTE: Specifications are ± 1/4" and features are subject to change without notice. All final measurements should be taken from tub on site.

EQUIPMENT LEGEND	Classic or EZ Clean Sidewall Jets	Optional Platinum HTT Air Massage System	Accu-Massage Jets	Micro Flow or Opt. Micromassage	Ultra Flow or Opt. Ultra Massage	Sole Soother	Neck Massage Pillow	Inlet/Outlet Port	Pump Alt. Pump	Warm Back Tubing Zone	Pump Access (18"x18" required)	*Some pump locations & plumbing may extend beyond perimeter of bath.
------------------	-----------------------------------	--	-------------------	---------------------------------	----------------------------------	--------------	---------------------	-------------------	----------------	-----------------------	--------------------------------	--

ELECTRICAL SPECIFICATIONS	COMBO PLAT	COMBO GOLD	COMBO SILVER	AIR-G AIR-S	HYDRO PLAT	HYDRO GOLD	HYDRO SILVER	SOOTH SOAK
Dedicated Circuits Required								
PUMP REQ. 115V 20AMP W/GFCI				1				
INLINE HEATER REQ. 115V 20AMP GFCI				-				
WHISPER FLO HEAT SYSTEM™ 115V 20AMP GFCI				2				



FEATURES	Air Silver		
JETS — Total number of jets			
Air Jets/Ports	18		
Accu-Massage	N/A		
Micro Flow	N/A		
Micro Massage (each)	N/A		
Ultra Flow	N/A		
Ultra Massage (each)	N/A		
Sole Soother 7 (N/A in Metallic)	N/A		
Back Masseur System	N/A		
Neck Masseur Pillow (incl 2 jets)	N/A		
PUMPS			
1.0 Air Power 3 Speed	N/A		
1.25 Air Power Variable Speed	Incl	Remote Location only up to 15' away	
2.25 Hydro Power 1 speed	N/A		
3.25 Hydro Power 3 speed	N/A		
Whisper Flo Heat Pump	N/A		
Alternate Pump Location	Incl		
Custom Pump Location(s)	\$180		
HEATER			
Heater Inline/Electric	N/A		
CONTROLS			
Air Switch on/off	N/A		
Air Switch w/ Digital Temp Readout	N/A		
Electronic	Incl	Remote mount on wall or deck only	

FEATURES	Air Silver		
HYDRO CLEANSE	\$19.95		
TILE FLANGE	N/A		
DRAIN KITS			
Lift N Turn PB, PC, SN, WH, ALM, BISC, ORB	Incl		
PILLOW			
Deluxe Oval	Incl		
STANDARD COLORS			
White, Bone, Almond & Biscuit			
EZ LEVEL BARS	N/A		
*Use Plat, Combo, Air Deck Heights			
Rush Order 72hr Manufacturing (confirm with factory)	\$495		
Shipping Boxes	\$90		