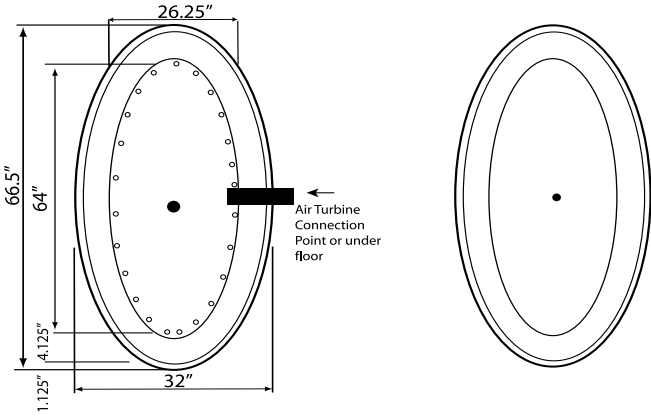


Air Gold #BGA6632-FS	Bathtub #BTO6632-FS	
\$9,980	\$8,490	

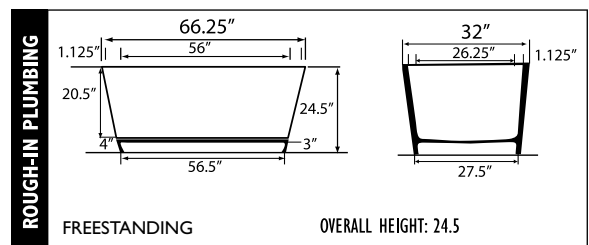


- A** HTT® Deluxe Platinum Air Massage System. Includes 8-10 HTT Leg Therapy Jets, EZ Level Base & Chromatherapy Light System. [x x x] **Optional on Combo**
- B** 6 Jet HTT Back Massage System [included on Platinum] N/A on Combo Tub Series [x x x]
- C** Warm Back Tubing Zone [SSSSS] N/A on Silver Air

NOTE: Specifications are ± 1/4" and features are subject to change without notice. All final measurements should be taken from tub on site.

EQUIPMENT LEGEND	Classic or EZ Clean Sidewall Jets	Optional Platinum HTT Air Massage System	Accu-Massage Jets	Micro Flow or Opt. Micromassage	Ultra Flow or Opt. Ultra Massage	Sole Soother	Neck Massage Pillow	Inlet/Outlet Port	Pump	Warm Back Tubing Zone	Pump Access (18"x18" required)	*Some pump locations & plumbing may extend beyond perimeter of bath.
------------------	-----------------------------------	--	-------------------	---------------------------------	----------------------------------	--------------	---------------------	-------------------	------	-----------------------	--------------------------------	--

ELECTRICAL SPECIFICATIONS	COMBO PLAT	COMBO GOLD	COMBO SILVER	AIR-G AIR-S	HYDRO PLAT	HYDRO GOLD	HYDRO SILVER	SOOTH SOAK
Dedicated Circuits Required								
PUMP REQ. 115V 20AMP W/GFCI				1				
INLINE HEATER REQ. 115V 20AMP GFCI				-				
WHISPER FLO HEAT SYSTEM™ 115V 20AMP GFCI				2				



FEATURES	Air Silver	
JETS — Total number of jets		
Air Jets/Ports	18	
Accu-Massage	N/A	
Micro Flow	N/A	
Micro Massage (each)	N/A	
Ultra Flow	N/A	
Ultra Massage (each)	N/A	
Sole Soother 7 (N/A in Metallic)	N/A	
Back Masseur System	N/A	
Neck Masseur Pillow (incl 2 jets)	N/A	
PUMPS		
1.0 Air Power 3 Speed	N/A	
1.25 Air Power Variable Speed	Incl	Remote Location only up to 15' away
2.25 Hydro Power 1 speed	N/A	
3.25 Hydro Power 3 speed	N/A	
Whisper Flo Heat Pump	N/A	
Alternate Pump Location	Incl	
Custom Pump Location(s)	\$180	
HEATER		
Heater Inline/Electric	N/A	
CONTROLS		
Air Switch on/off	N/A	
Air Switch w/ Digital Temp Readout	N/A	
Electronic	Incl	Remote mount on wall or deck only

FEATURES	Air Silver	
HYDRO CLEANSE	\$19.95	
TILE FLANGE	N/A	
DRAIN KITS		
Lift N Turn PB, PC, SN, WH, ALM, BISC, ORB	Incl	
PILLOW		
Deluxe Oval	Incl	
STANDARD COLORS		
White, Bone, Almond & Biscuit	Incl	
EZ LEVEL BARS	N/A	
*Use Plat, Combo, Air Deck Heights		
Rush Order 72hr Manufacturing (confirm with factory)	\$495	
Shipping Boxes	\$90	