

# Cascade

72" x 42" x 25"

Silver Series \$2195

Gold Series \$2895

Platinum Series \$5350

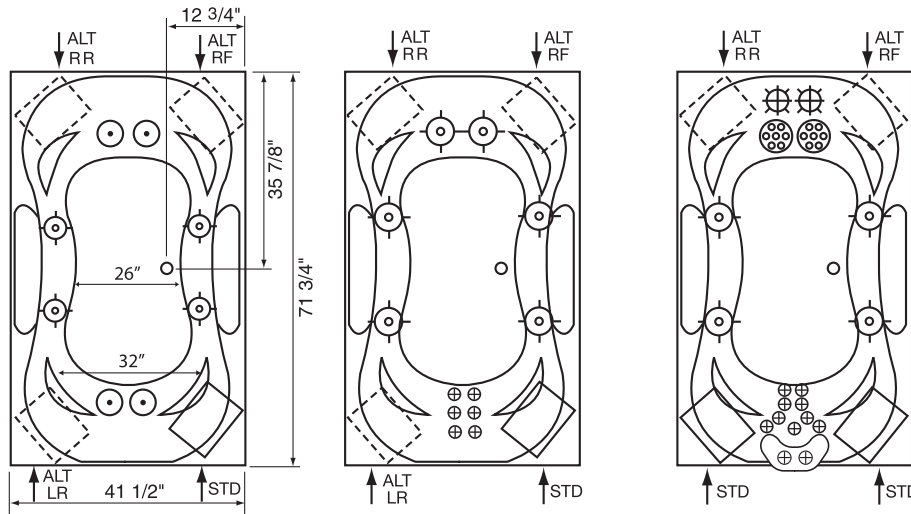
Soaking Tub \$1295

#CS7242

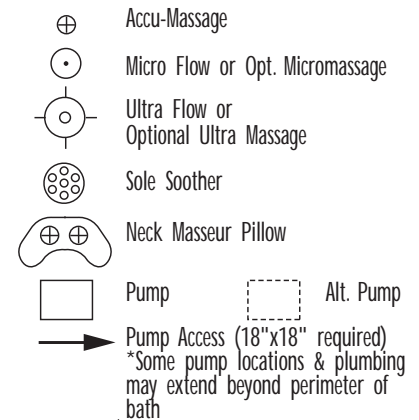
#CG7242

#CP7242

#CTO7242



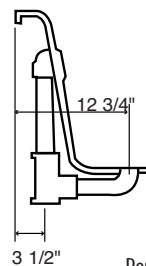
## Equipment Legend



## Electrical Specifications

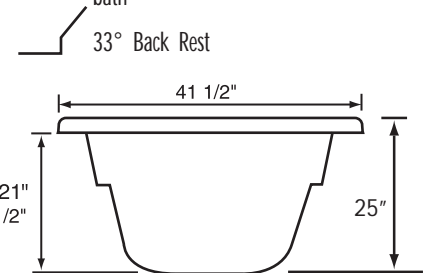
	Silver	Gold	Platinum
<b>Pump Requirement</b>			
115V 15AMP w/GFCI	1		
115V 20AMP w/GFCI		1	2
<b>Inline Heater Requirement</b>			
115V 15AMP w/GFCI	optional	1	1

Gallons to Overflow	75 gal		
Gallons to Operate	65 gal		
NOTE: Specifications are $\pm 1/4$ " and features are subject to change without notice All final measurements should be taken from tub on site			



Rough In Plumbing Measurements

Silver/Gold 21"  
Platinum 23 1/2"



## Features

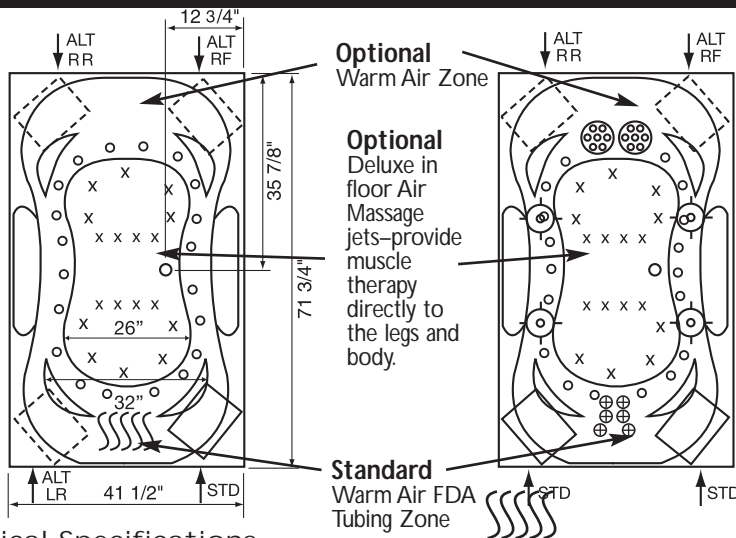
	Silver Series	Gold Series	Platinum Series		Silver Series	Gold Series	Platinum Series
<b>JETS</b>				<b>Aromatherapy Fragrance System</b>			
Total number of jets	8	12	19	Fragrance Refills	\$195	\$195	\$195
Accu-Massage	N/A	6	11	<b>Hydrocleanse Whirlpool Sys Clnr</b>	\$16.95	\$16.95	\$16.95
Micro Flow	4	N/A	N/A		\$19.95	\$19.95	\$19.95
Micro Massage (each)	\$40	\$40	2	<b>GRAB BAR</b>			
Ultra Flow	4	6	4	Bolt on PB, PC, SN, WH, ALM, BISC	N/A	N/A	N/A
Ultra Massage (each)	\$50	\$50	\$50	Standard Grab Bars will be color coordinated to match whirlpool			
Sole Soother Seven (N/A in Metallic)	N/A	N/A	2	<b>TILE FLANGE</b>			
Back Masseur System	N/A	Incl.	Incl.		\$175	\$175	\$175
Neck Masseur Pillow (incl 2 jets)	N/A	\$450	Incl.	<b>DRAIN KITS</b>			
Metallic Trim Kit PC, PB, SN, ORB	\$250	\$350	\$400	Lift N Turn PB, PC, SN, WH, ALM, BISC, ORB	\$95	Incl.	N/A
<b>PUMPS</b>				Deluxe Cable Drain PB, PC, SN, WH, ALM, BISC, ORB	\$250	\$250	Incl.
2.25 Hydro Power 1 speed	Incl.	N/A	N/A	Standard drain colored to match whirlpool with ABS rough unless specified otherwise			
2.25 Hydro Power 3 speed	\$250	N/A	N/A	<b>LIGHTS</b>			
3.25 Hydro Power 3 speed	N/A	Incl.	2-Incl.	Mood Light	\$195	\$195	Incl.
Alternate Pump Location*	Incl.	Incl.	Incl.	Chromatherapy	\$395	\$395	\$395
Custom Pump Location(s)*	\$180	\$180	\$180ea	<b>PILLOW</b>			
<b>HEATER</b>				Deluxe Oval	\$80	Incl.	Incl.
Heater Inline/Electric	\$395	Incl.	Incl.	<b>STANDARD COLORS</b>			
Hydro Clean Sanitation System	\$495	\$495	\$495	White Bone Almond Biscuit	Incl.	Incl.	Incl.
<b>CONTROLS</b>				Design Colors-refer to page 5	\$495	\$495	\$495
Air Switch on/off	Incl.	Incl.	N/A	<b>EZ LEVEL QUIET BASE</b>			
Air Switch with Digital Temp Readout	N/A	N/A	Incl.	Alters deck height. Contact factory.	N/A	\$300	Incl.
				<b>EZ LEVEL BARS</b>			
				Rush order 72 hour manufacturing (contact factory)	\$150	\$150	N/A
				Shipping Boxes	\$495	\$495	\$495
					\$90	\$90	\$90

# Cascade

72" x 42" x 25"

**Air Massage Series \$3195**  
#CA7242

**Combination Series \$5650**  
#CC7242



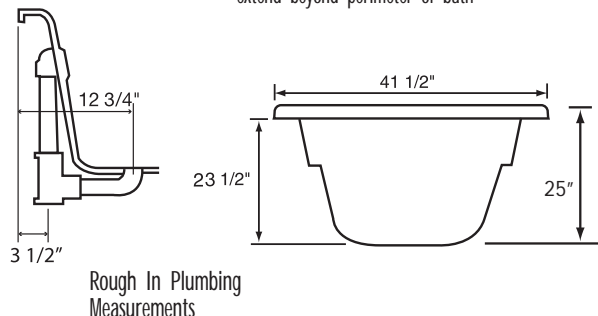
## Equipment Legend

- X Optional deluxe in floor air massage jets
  - Turbo Air Jet
  - ⊕ Accu-Massage
  - Micro Flow or Optional Micromassage
  - ⊖ Ultra Flow or Optional Ultra Massage
  - ⊙ Sole Soother
  - ⊕ Neck Masseur Pillow
  - Pump
  - ⊖ Alt. Pump
  - Heated FDA Tubing Zone
  - ⋯
- Pump Access (18"x18" required)  
\*Some pump locations & plumbing may extend beyond perimeter of bath

## Electrical Specifications

	Air Massage	Combination
<b>Pump Requirement</b>		
115V 15AMP w/GFCI	1	1
115V 20AMP w/GFCI		1
<b>Inline Heater Requirement</b>		
115V 15AMP w/GFCI		1
Gallons to Overflow	75 gal	
Gallons to Operate	65 gal	

NOTE: Specifications are ± 1/4" and features are subject to change without notice  
All final measurements should be taken from tub on site



## Features

	Air Massage Series	Combination Series		Air Massage Series	Combination Series
<b>JETS</b>					
Total number of jets	20	32	<b>AROMATHERAPY FRAGRANCE SYSTEM</b>	\$195	\$195
Deluxe air systems	\$995	\$995	Fragrance Refills	\$16.95	\$16.95
Accu-Massage	N/A	6	<b>HYDROCLEANSE WHIRLPOOL SYS CLNER</b>	\$19.95	\$19.95
Micro Flow	N/A	N/A	<b>GRAB BAR</b>		
Micro Massage (each)	N/A	N/A	Bolt on PB, PC, SN, WH, ALM, BISC	N/A	N/A
Ultra Flow	N/A	4	Standard Grab Bars will be color coordinated to match whirlpool		
Ultra Massage (each)	N/A	\$50	<b>TILE FLANGE</b>	\$175	\$175
Sole Soother Seven (N/A in Metallic)	N/A	2-Incl.	<b>DRAIN KITS</b>		
Back Masseur System	N/A	Incl.	Lift N Turn PB, PC, SN, WH, ALM, BISC, ORB	Incl.	N/A
Neck Masseur Pillow (incl 2 jets)	N/A	\$450	Deluxe Cable Drain PB, PC, SN, WH, ALM, BISC, ORB	\$250	Incl.
Metallic Trim Kit PC, PB, SN, ORB	\$350	\$600	Standard drain colored to match whirlpool with ABS rough unless specified otherwise		
<b>PUMPS</b>					
1.25 AP variable speed	Incl.	Incl.	<b>LIGHTS</b>		
3.25 Hydro Power 3 speed	N/A	Incl.	Mood Light	\$195	Incl.
Pump Location/Alternate*	Incl.	Incl.	Chromatherapy	\$395	\$395
Custom Pump Location(s)*	\$180	\$180ea	<b>PILLOW</b>		
<b>HEATER</b>					
Heater Inline/Electric	N/A	Incl.	Deluxe Oval	Incl.	Incl.
HydroClean Sanitation System	N/A	\$495	<b>STANDARD COLORS</b>		
<b>CONTROLS</b>					
Air Switch on/off water pump	N/A	Incl.	White Bone Almond Biscuit	Incl.	Incl.
Electronic variable speed	Incl.	Incl.	Special Colors-refer to page 5	\$495	\$495
<b>EZ LEVEL QUIET BASE</b>					
				Incl.	Incl.
Rush order 72 hour manufacturing (contact factory)				\$495	\$495
Shipping Boxes				\$90	\$90