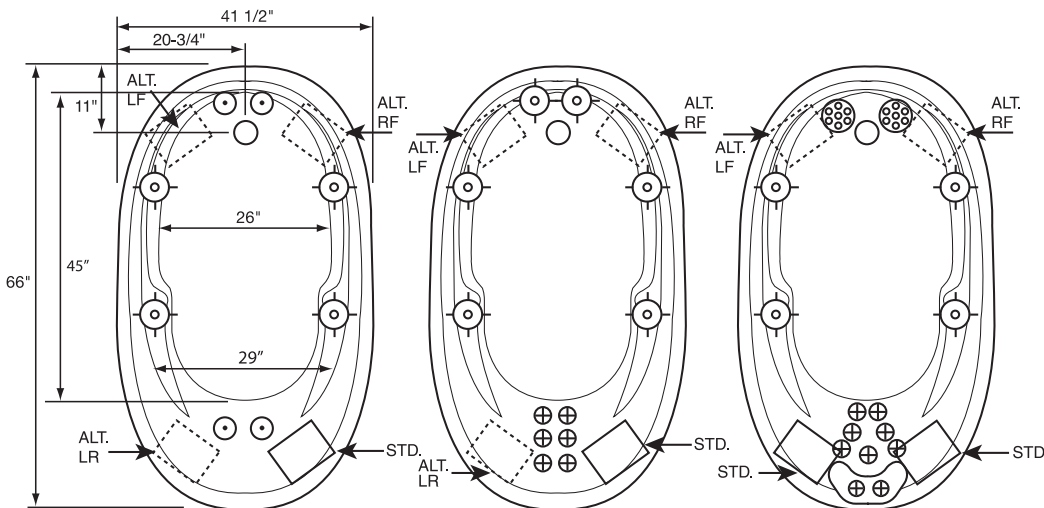


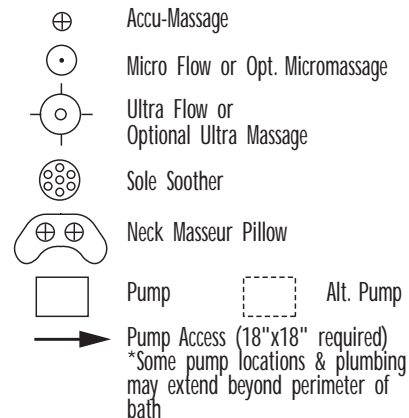
Eclipse 5.5

66" x 42" x 22"

Silver Series \$1995 #ES6642	Gold Series \$2995 #EG6642	Platinum Series \$5300 #EP6642	Soaking Tub \$1195 #ETO6642
--	--------------------------------------	--	---------------------------------------

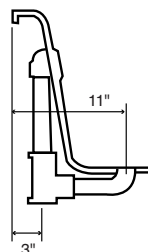


Equipment Legend

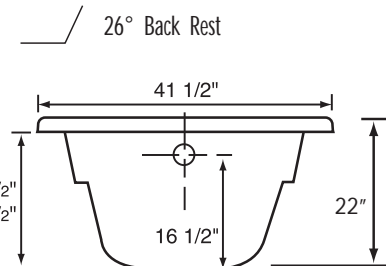


Electrical Specifications

	Silver	Gold	Platinum
Pump Requirement			
115V 15AMP w/GFCI	1		2
115V 20AMP w/GFCI		1	
Inline Heater Requirement			
115V 15AMP w/GFCI	optional	1	1
Gallons to Overflow	80 gal		
Gallons to Operate	65 gal		



Rough In Plumbing Measurements



NOTE: Specifications are $\pm 1/4"$ and features are subject to change without notice
All final measurements should be taken from tub on site

Features

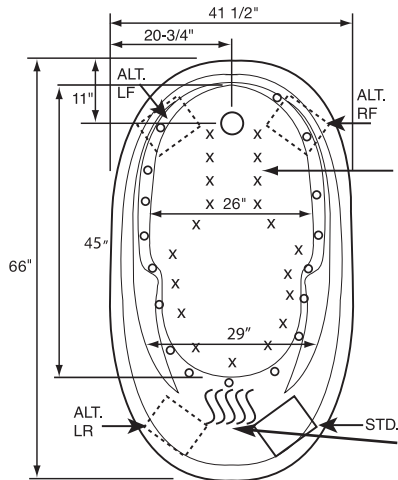
	Silver Series	Gold Series	Platinum Series		Silver Series	Gold Series	Platinum Series
JETS				Aromatherapy Fragrance System	\$195	\$195	\$195
Total number of jets	8	12	15	Fragrance Refills	\$16.95	\$16.95	\$16.95
Accu-Massage	N/A	6	9	Hydrocleanse Whirlpool Sys Clnr	\$19.95	\$19.95	\$19.95
Micro Flow	4	N/A	N/A	GRAB BAR			
Micro Massage (each)	\$40	\$40	N/A	Bolt on PB, PC, SN, WH, ALM, BISC	\$125ea.	\$125ea.	2-Incl.
Ultra Flow	4	6	4	Standard Grab Bars will be color coordinated to match whirlpool			
Ultra Massage (each)	\$50	\$50	\$50	DRAIN KITS			
Sole Soother Seven (N/A in Metallic)	N/A	N/A	2	Lift N Turn PB, PC, SN, WH, ALM, BISC, ORB	\$95	Incl.	N/A
Back Masseur System	N/A	Incl.	Incl.	Deluxe Cable Drain PB, PC, SN, WH, ALM, BISC, ORB	\$250	\$250	Incl.
Neck Masseur Pillow (incl 2 jets)	N/A	\$450	Incl.	Standard drain colored to match whirlpool with ABS rough unless specified otherwise			
Metallic Trim Kit PC, PB, SN, ORB	\$250	\$350	\$400	LIGHTS			
PUMPS				Mood Light	\$195	\$195	Incl.
2.25 Hydro Power 1 speed	Incl.	N/A	N/A	Chromotherapy	\$395	\$395	\$395
2.25 Hydro Power 3 speed	\$250	N/A	2-Incl.	PILLOW			
3.25 Hydro Power 3 speed	N/A	Incl.	N/A	Deluxe Oval	\$80	Incl.	N/A
Alternate Pump Location*	Incl.	Incl.	Incl.	STANDARD COLORS			
Custom Pump Location(s)*	\$180	\$180	\$180ea	White Bone Almond Biscuit	Incl.	Incl.	Incl.
HEATER				Design Colors-refer to page 5	\$495	\$495	\$495
Heater Inline/Electric	\$395	Incl.	Incl.	EZ LEVEL QUIET BASE	N/A	\$300	Incl.
Hydro Clean Sanitation System	\$495	\$495	\$495	Alters deck height. Contact factory.			
CONTROLS				EZ LEVEL BARS	\$150	\$150	N/A
Air Switch on/off	Incl.	Incl.	N/A	Rush order 72 hour manufacturing (contact factory)	\$495	\$495	\$495
Air Switch with Digital Temp Readout	N/A	N/A	Incl.	Shipping Boxes	\$90	\$90	\$90

Eclipse 5.5

66" x 42" x 22"

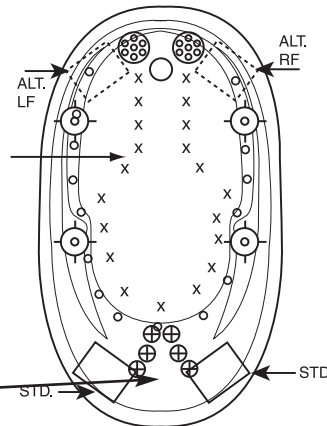
Air Massage Series \$3195
#EA6642

Combination Series \$5650
#EC6642



Optional Deluxe in floor Air Massage jets—provide muscle therapy directly to the legs and body.

Standard Warm Air FDA Tubing Zone



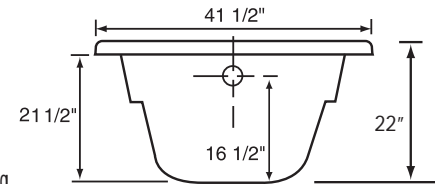
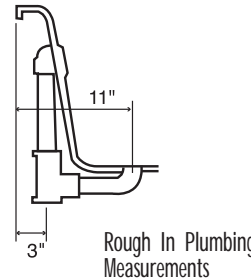
Equipment Legend

- X Optional deluxe in floor air massage jets
 - O Turbo Air Jet
 - ⊕ Accu-Massage
 - ⊙ Micro Flow or Optional Micromassage
 - ⊖ Ultra Flow or Optional Ultra Massage
 - ⊙ Sole Soother
 - ⊕ Neck Masseur Pillow
 - Pump
 - ▭ Alt. Pump
 - Pump Access (18"x18" required)
- Heated FDA Tubing Zone
- SSSSS
- *Some pump locations & plumbing may extend beyond perimeter of bath

Electrical Specifications

	Air Massage	Combination
Pump Requirement		
115V 15AMP w/GFCI	1	1
115V 20AMP w/GFCI		1
Inline Heater Requirement		
115V 15AMP w/GFCI		1
Gallons to Overflow	80 gal	
Gallons to Operate	65 gal	

NOTE: Specifications are ± 1/4" and features are subject to change without notice
All final measurements should be taken from tub on site



Features

	Air Massage Series	Combination Series		Air Massage Series	Combination Series
JETS					
Total number of jets	18	30			
Deluxe air systems	\$995	\$995			
Accu-Massage	N/A	6			
Micro Flow	N/A	N/A			
Micro Massage (each)	N/A	N/A			
Ultra Flow	N/A	4			
Ultra Massage (each)	N/A	\$50			
Sole Soother Seven (N/A in Metallic)	N/A	2-Incl.			
Back Masseur System	N/A	Incl.			
Neck Masseur Pillow (incl 2 jets)	N/A	\$450			
Metallic Trim Kit PC, PB, SN, ORB	\$350	\$600			
PUMPS					
1.25 AP variable speed	Incl.	Incl.			
3.25 Hydro Power 3 speed	N/A	Incl.			
Pump Location/Alternate*	Incl.	Incl.			
Custom Pump Location(s)*	\$180	\$180			
HEATER					
Heater Inline/Electric	N/A	Incl.			
HydroClean Sanitation System	N/A	\$495			
CONTROLS					
Air Switch on/off water pump	N/A	Incl.			
Electronic variable speed	Incl.	Incl.			
AROMATHERAPY FRAGRANCE SYSTEM					
			\$195		\$195
Fragrance Refills			\$16.95		\$16.95
HYDROCLEANSE WHIRLPOOL SYS CLNER					
			\$19.95		\$19.95
GRAB BAR					
Bolt on PB, PC, SN, WH, ALM, BISC			\$125ea.		2-Incl.
Standard Grab Bars will be color coordinated to match whirlpool					
DRAIN KITS					
Lift N Turn PB, PC, SN, WH, ALM, BISC, ORB			Incl.		N/A
Deluxe Cable Drain PB, PC, SN, WH, ALM, BISC, ORB			\$250		Incl.
Standard drain colored to match whirlpool with ABS rough unless specified otherwise					
LIGHTS					
Mood Light			\$195		Incl.
Chromatherapy			\$395		\$395
PILLOW					
Deluxe Oval			Incl.		Incl.
STANDARD COLORS					
White Bone Almond Biscuit			Incl.		Incl.
Special Colors-refer to page 5			\$495		\$495
EZ LEVEL QUIET BASE					
			Incl.		Incl.
Rush order 72 hour manufacturing (contact factory)			\$495		\$495
Shipping Boxes			\$90		\$90