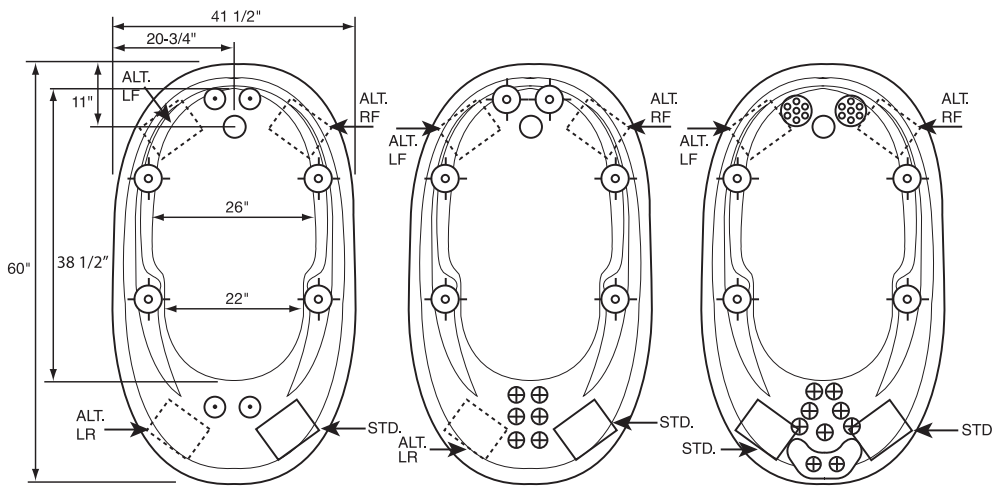


# Eclipse 5

60" x 42" x 22"

<b>Silver Series \$1950</b> #ES6042	<b>Gold Series \$2995</b> #EG6042	<b>Platinum Series \$5350</b> #EP6042	<b>Soaking Tub \$1095</b> #ETO6042
--	--------------------------------------	--	---------------------------------------



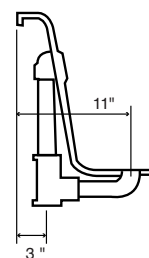
## Equipment Legend

- Accu-Massage
- Micro Flow or Opt. Micromassage
- Ultra Flow or Optional Ultra Massage
- Sole Soother
- Neck Masseur Pillow
- Pump  Alt. Pump
- Pump Access (18"x18" required)  
\*Some pump locations & plumbing may extend beyond perimeter of bath
- 23° Back Rest

## Electrical Specifications

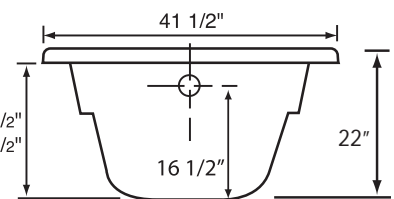
	Silver	Gold	Platinum
<b>Pump Requirement</b>			
115V 15AMP w/GFCI	1		2
115V 20AMP w/GFCI		1	
<b>Inline Heater Requirement</b>			
115V 15AMP w/GFCI	optional	1	1
Gallons to Overflow	85 gal		
Gallons to Operate	65- 85 gal		

NOTE: Specifications are  $\pm 1/4"$  and features are subject to change without notice  
All final measurements should be taken from tub on site



Rough In Plumbing Measurements

Silver/Gold 18 1/2"  
Platinum 21 1/2"



## Features

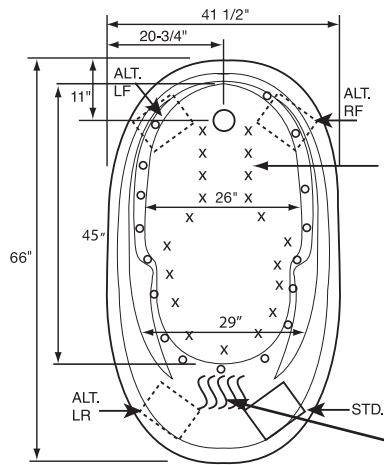
	Silver Series	Gold Series	Platinum Series		Silver Series	Gold Series	Platinum Series
<b>JETS</b>				<b>Aromatherapy Fragrance System</b>	\$195	\$195	\$195
Total number of jets	8	12	15	Fragrance Refills	\$16.95	\$16.95	\$16.95
Accu-Massage	N/A	6	9	<b>Hydrocleanse Whirlpool Sys Clnr</b>	\$19.95	\$19.95	\$19.95
Micro Flow	4	N/A	N/A	<b>GRAB BAR</b>			
Micro Massage (each)	\$40	\$40	N/A	Bolt on PB, PC, SN, WH, ALM, BISC	\$125ea	\$125ea	2-Incl.
Ultra Flow	4	6	4	Standard Grab Bars will be color coordinated to match whirlpool			
Ultra Massage (each)	\$50	\$50	\$50	<b>DRAIN KITS</b>			
Sole Soother Seven (N/A in Metallic)	N/A	N/A	2	Lift N Turn PB, PC, SN, WH, ALM, BISC, ORB	\$95	Incl.	N/A
Back Masseur System	N/A	Incl.	Incl.	Deluxe Cable Drain PB, PC, SN, WH, ALM, BISC, ORB	\$250	\$250	Incl.
Neck Masseur Pillow (incl 2 jets)	N/A	\$450	Incl.	Standard drain colored to match whirlpool with ABS rough unless specified otherwise			
Metallic Trim Kit PC, PB, SN, ORB	\$250	\$350	\$400	<b>LIGHTS</b>			
<b>PUMPS</b>				Mood Light	\$195	\$195	Incl.
2.25 Hydro Power 1 speed	Incl.	N/A	N/A	Chromatherapy	\$395	\$395	\$395
2.25 Hydro Power 3 speed	\$250	N/A	2-Incl.	<b>PILLOW</b>			
3.25 Hydro Power 3 speed	N/A	Incl.	N/A	Deluxe Oval	\$80	Incl.	N/A
Alternate Pump Location*	Incl.	Incl.	Incl.	<b>STANDARD COLORS</b>			
Custom Pump Location*	\$180	\$180	\$180	White Bone Almond Biscuit	Incl.	Incl.	Incl.
<b>HEATER</b>				Design Colors-refer to page 5	\$495	\$495	\$495
Heater Inline/Electric	\$395	Incl.	Incl.	<b>EZ LEVEL QUIET BASE</b>	N/A	\$300	Incl.
Hydro Clean Sanitation System	\$495	\$495	\$495	Alters deck height. Contact factory.			
<b>CONTROLS</b>				<b>EZ LEVEL BARS</b>	\$150	\$150	N/A
Air Switch on/off	Incl.	Incl.	N/A	Rush order 72 hour manufacturing (contact factory)	\$495	\$495	\$495
				Shipping Boxes	\$90	\$90	\$90

# Eclipse 5

60" x 42" x 22"

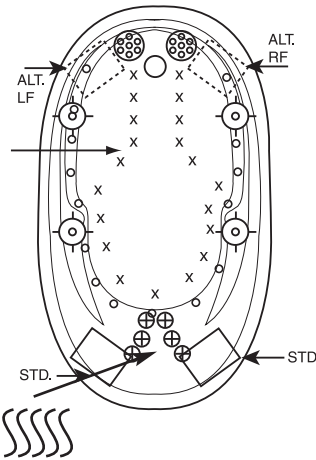
**Air Massage Series \$3050**  
#EA6042

**Combination Series \$5600**  
#EC6042



**Optional Deluxe in floor Air Massage jets**—provide muscle therapy directly to the legs and body.

**Standard Warm Air FDA Tubing Zone**



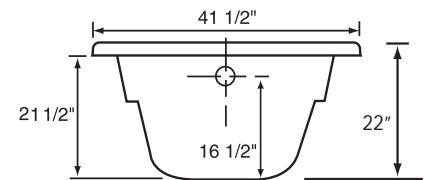
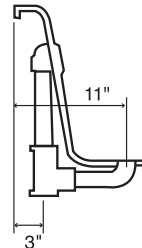
## Equipment Legend

- X Optional deluxe in floor air massage jets
  - Turbo Air Jet
  - ⊕ Accu-Massage
  - Micro Flow or Optional Micromassage
  - ⊙ Ultra Flow or Optional Ultra Massage
  - ⊗ Sole Soother
  - ⊕ Neck Masseur Pillow
  - Pump
  - Alt. Pump
  - Pump Access (18"x18" required)  
\*Some pump locations & plumbing may extend beyond perimeter of bath
- Heated FDA Tubing Zone

## Electrical Specifications

	Air Massage	Combination
<b>Pump Requirement</b>		
115V 15AMP w/GFCI	1	1
115V 20AMP w/GFCI		1
<b>Inline Heater Requirement</b>		
115V 15AMP w/GFCI		1
Gallons to Overflow	85 gal	
Gallons to Operate	65-80 gal	

NOTE: Specifications are ± 1/4" and features are subject to change without notice  
All final measurements should be taken from tub on site



Rough In Plumbing Measurements

## Features

	Air Massage Series	Combination Series	Air Massage Series	Combination Series	Series
<b>JETS</b>					
Total number of jets	18	30			
Deluxe air systems	\$995	\$995			
Accu-Massage	N/A	6			
Micro Flow	N/A	N/A			
Micro Massage (each)	N/A	N/A			
Ultra Flow	N/A	4			
Ultra Massage (each)	N/A	\$50			
Sole Soother Seven (N/A in Metallic)	N/A	2			
Back Masseur System	N/A	Incl.			
Neck Masseur Pillow (incl 2 jets)	N/A	\$450			
Metallic Trim Kit PC, PB, SN, ORB	\$350	\$600			
<b>PUMPS</b>					
1.25 AP variable speed	Incl.	Incl.			
3.25 Hydro Power 3 speed	N/A	Incl.			
Pump Location/Alternate*	Incl.	Incl.			
Custom Pump Location*	\$180	\$180			
<b>HEATER</b>					
Heater Inline/Electric	N/A	Incl.			
HydroClean Sanitation System	N/A	\$495			
<b>CONTROLS</b>					
Air Switch on/off water pump	N/A	Incl.			
Electronic variable speed	Incl.	Incl.			
<b>AROMATHERAPY FRAGRANCE SYSTEM</b>					
			\$195		\$195
Fragrance Refills			\$16.95		\$16.95
<b>HYDROCLEANSE WHIRLPOOL SYS CLNER</b>					
			\$19.95		\$19.95
<b>GRAB BAR</b>					
Bolt on PB, PC, SN, WH, ALM, BISC			\$125ea		2-Incl.
Standard Grab Bars will be color coordinated to match whirlpool					
<b>DRAIN KITS</b>					
Lift N Turn PB, PC, SN, WH, ALM, BISC, ORB			Incl.		N/A
Deluxe Cable Drain PB, PC, SN, WH, ALM, BISC, ORB			\$250		Incl.
Standard drain colored to match whirlpool with ABS rough unless specified otherwise					
<b>LIGHTS</b>					
Mood Light			\$195		Incl.
Chromatherapy			\$395		\$395
<b>PILLOW</b>					
Deluxe Oval			Incl.		Incl.
<b>STANDARD COLORS</b>					
White Bone Almond Biscuit			Incl.		Incl.
Special Colors—refer to page 5			\$495		\$495
<b>EZ LEVEL QUIET BASE</b>					
			Incl.		Incl.
Rush order 72 hour manufacturing (contact factory)			\$495		\$495
Shipping Boxes			\$90		\$90