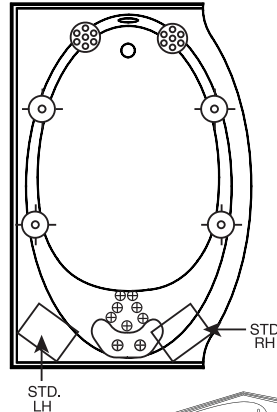
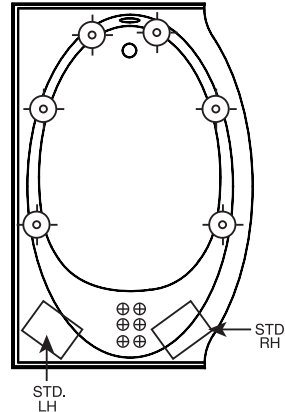
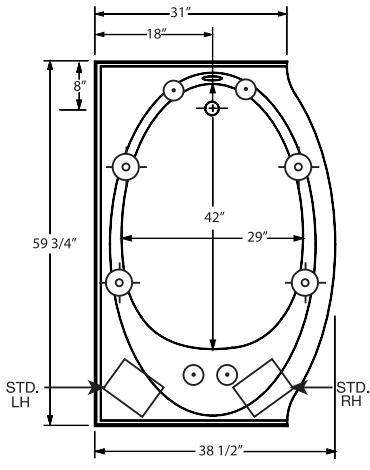


# Escape 531SKTF Skirt & Tile Flange (solid skirt no access panel available)

60" x 31 - 38 1/2" x 22 1/2"

Silver Series \$2350		Gold Series \$2995		Platinum Series \$5350		Soaking Tub \$1295	
#ES6031RHSKTF	#ES6031LHSKTF	#EG6031RHSKTF	#EG6031LHSKTF	#EP6031RHSKTF	#EP6031LHSKTF	#ETO6031RHSKTF	#ETO6031LHSKTF



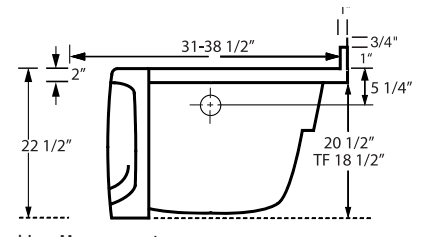
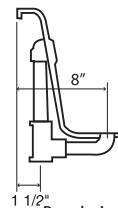
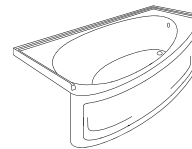
## Equipment Legend

- Accu-Massage
- Micro Flow or Opt. Micromassage
- Ultra Flow or Optional Ultra Massage
- Sole Soother
- Neck Masseur Pillow
- Pump  Alt. Pump
- Pump Access (18"x18" required)  
\*Some pump locations & plumbing may extend beyond perimeter of bath
- 25° Back Rest

## Electrical Specifications

	Silver	Gold	Platinum
<b>Pump Requirement</b>			
115V 15AMP w/GFCI	1		
115V 20AMP w/GFCI		1	2
<b>Inline Heater Requirement</b>			
115V 15AMP w/GFCI	optional	1	1
Gallons to Overflow	45 gal		
Gallons to Operate	25-35 gal		

NOTE: Specifications are  $\pm 1/4"$ , features and prices are subject to change without notice  
All final measurements should be taken from tub on site



Rough In Plumbing Measurements

## Features

	Silver Series	Gold Series	Platinum Series		Silver Series	Gold Series	Platinum Series
<b>JETS</b>				<b>Aromatherapy Fragrance System</b>	\$195	\$195	\$195
Total number of jets	8	12	15	Fragrance Refills	\$16.95	\$16.95	\$16.95
Accu-Massage	N/A	6	9	<b>Hydrocleanse Whirlpool Sys Clnr</b>	\$19.95	\$19.95	\$19.95
Micro Flow	4	N/A	N/A	<b>GRAB BAR</b>			
Micro Massage (each)	\$40	\$40	N/A	Bolt on PB, PC, SN, WH, ALM, BISC	\$125ea	\$125ea	2-Incl.
Ultra Flow	4	6	4	Standard Grab Bars will be color coordinated to match whirlpool			
Ultra Massage (each)	\$50	\$50	\$50	<b>TILE FLANGE &amp; INTEGRAL SKIRT</b>	Incl.	Incl.	Incl.
Sole Soother Seven (N/A in Metallic)	N/A	N/A	2	<b>DRAIN KITS</b>			
Back Masseur System	N/A	Incl.	Incl.	Lift N Turn PB, PC, SN, WH, ALM, BISC, ORB	\$95	Incl.	N/A
Neck Masseur Pillow (incl 2 jets)	N/A	\$450	Incl.	Deluxe Cable Drain PB, PC, SN, WH, ALM, BISC, ORB	\$250	\$250	Incl.
Metallic Trim Kit PC, PB, SN, ORB	\$250	\$350	\$400	Standard drain colored to match whirlpool with ABS rough unless specified otherwise			
<b>PUMPS</b>				<b>LIGHTS</b>			
2.25 Hydro Power 1 speed	Incl.	N/A	N/A	Mood Light	\$195	\$195	Incl.
2.25 Hydro Power 3 speed	\$250	N/A	2-Incl.	Chromatherapy	\$395	\$395	\$395
3.25 Hydro Power 3 speed	\$350	Incl.	N/A	<b>PILLOW</b>			
Alternate Pump Location*	Incl.	Incl.	Incl.	Deluxe Oval	\$80	Incl.	N/A
<b>HEATER</b>				<b>STANDARD COLORS</b>			
Heater Inline/Electric	\$395	Incl.	Incl.	White Bone Almond Biscuit	Incl.	Incl.	Incl.
Hydro Clean Sanitation System	\$495	\$495	\$495	Design Colors-refer to page 5	\$495	\$495	\$495
<b>CONTROLS</b>				<b>EZ LEVEL BAR</b>	\$150	\$150	Incl.
Air Switch on/off	Incl.	Incl.	N/A	Rush order 72 hour manufacturing (contact factory)	\$495	\$495	\$495
				Shipping Boxes	\$90	\$90	\$90

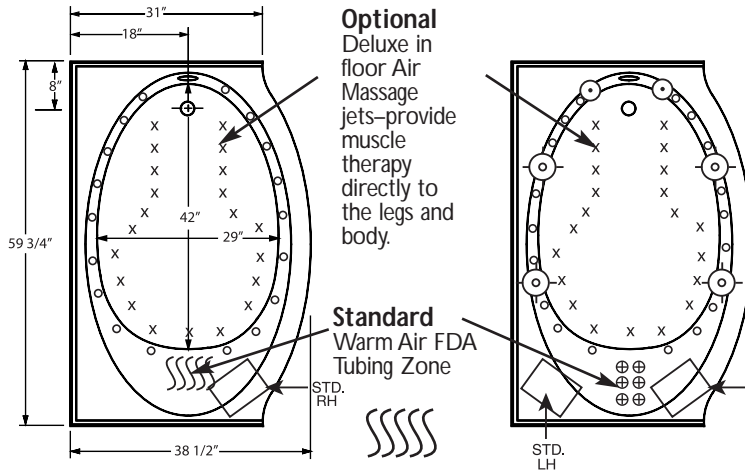
# Escape 531SKTF

Skirt & Tile Flange (solid skirt no access panel available)

60" x 31 - 38 1/2" x 22 1/2"

**Air Massage Series \$3295**  
#EA6031RHSKTF #EA6031LHSKTF

**Combination Series \$5650**  
#EC6031RHSKTF #EC6031LHSKTF



**Optional Deluxe in floor Air Massage jets**—provide muscle therapy directly to the legs and body.

**Standard Warm Air FDA Tubing Zone**

## Equipment Legend

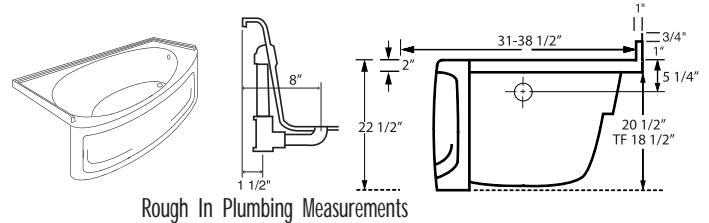
- X Optional deluxe in floor air massage jets
  - Turbo Air Jet
  - ⊕ Accu-Massage
  - Micro Flow or Optional Micromassage
  - Ultra Flow or Optional Ultra Massage
  - ⊙ Sole Soother
  - ⊕ Neck Masseur Pillow
  - Pump
  - Alt. Pump
- Heated FDA Tubing Zone

➔ Pump Access (18"x18" required)  
\*Some pump locations & plumbing may extend beyond perimeter of bath

## Electrical Specifications

	Air Massage	Combination
<b>Pump Requirement</b>		
115V 15AMP w/GFCI	1	1
115V 20AMP w/GFCI		1
<b>Inline Heater Requirement</b>		
115V 15AMP w/GFCI		1
Gallons to Overflow	45 gal	
Gallons to Operate	25-35 gal	

NOTE: Specifications are ± 1/4" and features are subject to change without notice  
All final measurements should be taken from tub on site



## Features

	Air Massage Series	Combination Series		Air Massage Series	Combination Series
<b>JETS</b>					
Total number of jets	18	30	<b>AROMATHERAPY FRAGRANCE SYSTEM</b>	\$195	\$195
Deluxe air systems	\$995	\$995	Fragrance Refills	\$16.95	\$16.95
Accu-Massage	N/A	6	<b>HYDROCLEANSE WHIRLPOOL SYS CLNER</b>	\$19.95	\$19.95
Micro Flow	N/A	N/A	<b>GRAB BAR</b>		
Micro Massage (each)	N/A	N/A	Bolt on PB, PC, SN, WH, ALM, BISC	\$125ea	2-Incl.
Ultra Flow	N/A	4	Standard Grab Bars will be color coordinated to match whirlpool		
Ultra Massage (each)	N/A	\$50	<b>DRAIN KITS</b>		
Sole Soother Seven (N/A in Metallic)	N/A	2	Lift N Turn PB, PC, SN, WH, ALM, BISC, ORB	Incl.	N/A
Back Masseur System	N/A	Incl.	Deluxe Cable Drain PB, PC, SN, WH, ALM, BISC, ORB	\$250	Incl.
Neck Masseur Pillow (incl 2 jets)	N/A	\$450	Standard drain colored to match whirlpool with ABS rough unless specified otherwise		
Metallic Trim Kit PC, PB, SN, ORB	\$350	\$600	<b>TILE FLANGE &amp; INTEGRAL SKIRT</b>		
<b>PUMPS</b>			Incl. Incl.		
1.25 AP variable speed	Incl.	Incl.	<b>LIGHTS</b>		
3.25 Hydro Power 3 speed	N/A	Incl.	Mood Light	\$195	Incl.
Pump Location/Alternate*	Incl.	Incl.	Chromatherapy	\$395	\$395
<b>HEATER</b>			<b>PILLOW</b>		
Heater Inline/Electric	N/A	Incl.	Deluxe Oval		
HydroClean Sanitation System	N/A	\$495	Incl. Incl.		
<b>CONTROLS</b>			<b>STANDARD COLORS</b>		
Air Switch on/off water pump	N/A	Incl.	White Bone Almond Biscuit		
Electronic variable speed	Incl.	Incl.	Special Colors-refer to page 5		
			Incl. Incl.		
			<b>EZ LEVEL QUIET BAR</b>		
			Incl. Incl.		
			Rush order 72 hour manufacturing (contact factory)		
			\$495 \$495		
			Shipping Boxes		
			\$90 \$90		