

Escape 534SKTF

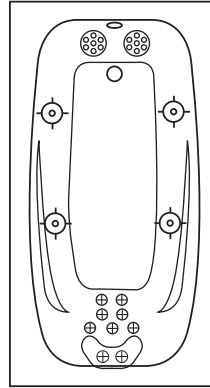
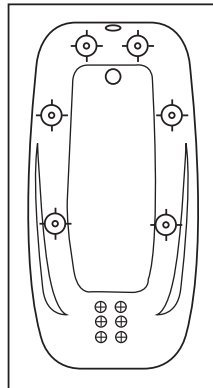
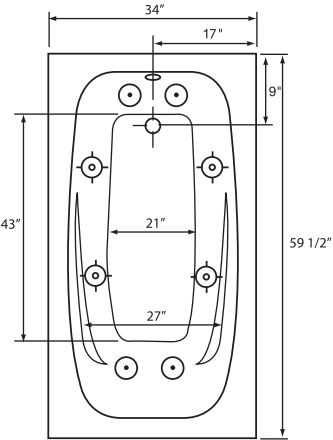
Skirt & Tile Flange (Access Panel with screws and caps)

Escape 534TF

Tile Flange

60" x 34" x 22"

Silver Series \$2075		Gold Series \$2995		Platinum Series \$5350		Soaking Tub \$1195	
#ES6034RHSKTF	#ES6034LHSKTF	#EG6034RHSKTF	#EG6034LHSKTF	#EP6034RHSKTF	#EP6034LHSKTF	#ETO6034RHSKTF	#ETO6034LHSKTF
#ES6034RHTF	#ES6034LHTF	#EG6034RHTF	#EG6034LHTF	#EP6034RHTF	#EP6034LHTF	#ETO6034RHTF	#ETO6034LHTF



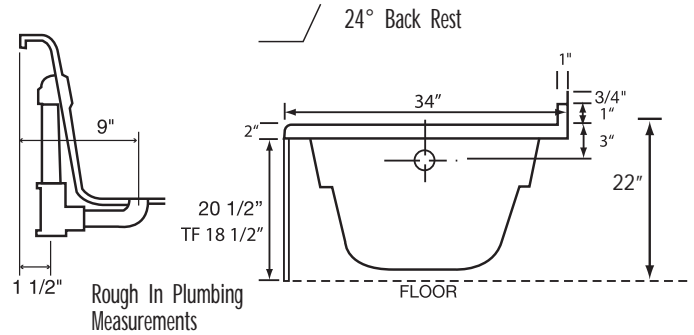
Equipment Legend

- Accu-Massage
- Micro Flow or Opt. Micromassage
- Ultra Flow or Optional Ultra Massage
- Sole Soother
- Neck Masseur Pillow
- Pump Alt. Pump
- Pump Access (18"x18" required)
*Some pump locations & plumbing may extend beyond perimeter of bath

Electrical Specifications

	Silver	Gold	Platinum
Pump Requirement			
115V 15AMP w/GFCI	1		2
115V 20AMP w/GFCI		1	
Inline Heater Requirement			
115V 15AMP w/GFCI	optional	1	1
Gallons to Overflow	54 gal/204L		
Gallons to Operate	30-54 gal		

NOTE: Specifications are $\pm 1/4"$ and features are subject to change without notice
All final measurements should be taken from tub on site



Features

	Silver Series	Gold Series	Platinum Series		Silver Series	Gold Series	Platinum Series
JETS				Aromatherapy Fragrance System	\$195	\$195	\$195
Total number of jets	8	12	15	Fragrance Refills	\$16.95	\$16.95	\$16.95
Accu-Massage	N/A	6	9	Hydrocleanse Whirlpool Sys Clnr	\$19.95	\$19.95	\$19.95
Micro Flow	4	N/A	N/A	GRAB BAR			
Micro Massage (each)	\$40	\$40	N/A	Bolt on PB, PC, SN, WH, ALM, BISC	\$125ea.	\$125ea.	2-Incl.
Ultra Flow	4	6	4	Standard Grab Bars will be color coordinated to match whirlpool			
Ultra Massage (each)	\$50	\$50	\$50	DRAIN KITS			
Sole Soother Seven (N/A in Metallic)	N/A	N/A	2	Lift N Turn PB, PC, SN, WH, ALM, BISC, ORB	\$95	Incl.	N/A
Back Masseur System	N/A	Incl.	Incl.	Deluxe Cable Drain PB, PC, SN, WH, ALM, BISC, ORB	\$250	\$250	Incl.
Neck Masseur Pillow (incl 2 jets)	N/A	\$450	Incl.	Standard drain colored to match whirlpool with ABS rough unless specified otherwise			
Metallic Trim Kit PC, PB, SN, ORB	\$250	\$350	\$400	LIGHTS			
PUMPS				Mood Light	\$195	\$195	Incl.
2.25 Hydro Power 1 speed	Incl.	N/A	N/A	Chromotherapy	\$395	\$395	\$395
2.25 Hydro Power 3 speed	\$250	N/A	2-Incl.	PILLOW			
3.25 Hydro Power 3 speed	\$350	Incl.	N/A	Deluxe Oval	\$80	Incl.	N/A
HEATER				STANDARD COLORS			
Heater Inline/Electric	\$395	Incl.	Incl.	White Bone Almond Biscuit	Incl.	Incl.	Incl.
Hydro Clean Sanitation System	\$495	\$495	\$495	Design Colors-refer to page 5	\$495	\$495	\$495
CONTROLS				EZ LEVEL QUIET BAR	N/A	\$150	Incl.
Air Switch on/off	Incl.	Incl.	N/A	Alters deck height. Contact factory.			
				EZ LEVEL BARS	\$150	\$150	N/A
				Rush order 72 hour manufacturing (contact factory)	\$495	\$495	\$495
				Shipping Boxes	\$90	\$90	\$90

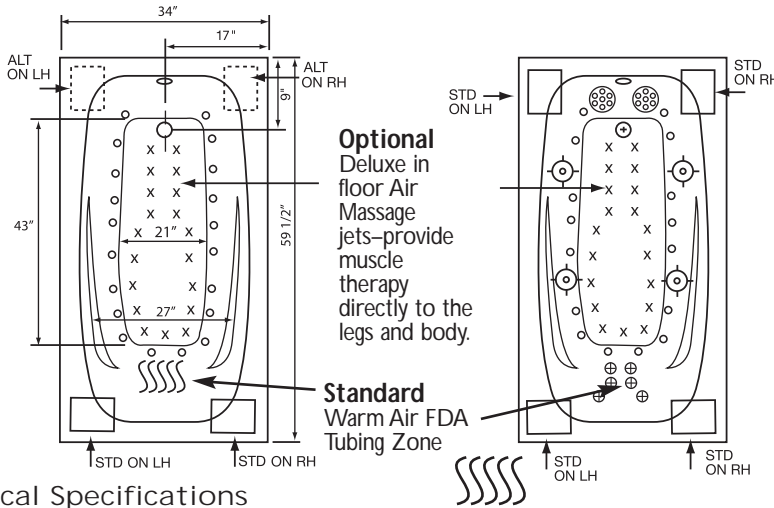
Escape 534SKTF Skirt & Tile Flange (Access Panel with screws and caps)

Escape 534TF Tile Flange

Skirt & Tile Flange (Access Panel with screws and caps)

60" x 34" x 22"

Air Massage Series \$3195		Combination Series \$5650	
#EA6034RHSKTF	#EA6034LHSKTF	#EC6034RHSKTF	#EC6034RHSKTF
#EA6034RHTF	#EA6034LHTF	#EC6034LHTF	#EC6034LHTF



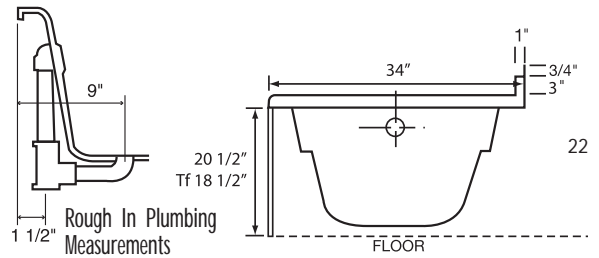
Equipment Legend

- X Optional deluxe in floor air massage jets
 - Turbo Air Jet
 - ⊕ Accu-Massage
 - ⊙ Micro Flow or Optional Micromassage
 - ⊙ Ultra Flow or Optional Ultra Massage
 - ⊙ Sole Soother
 - ⊕ Neck Masseur Pillow
 - Pump
 - Alt. Pump
- Heated FDA Tubing Zone
- Pump Access (18"x18" required)
*Some pump locations & plumbing may extend beyond perimeter of bath

Electrical Specifications

	Air Massage	Combination
Pump Requirement		
115V 15AMP w/GFCI	1	1
115V 20AMP w/GFCI		1
Inline Heater Requirement		
115V 15AMP w/GFCI		1
Gallons to Overflow	54 gal/204L	
Gallons to Operate	30-54 gal	

NOTE: Specifications are ± 1/4" and features are subject to change without notice
All final measurements should be taken from tub on site



Features

	Air Massage Series	Combination Series		Air Massage Series	Combination Series
JETS					
Total number of jets	18	30	AROMATHERAPY FRAGRANCE SYSTEM	\$195	\$195
Deluxe air systems	\$995	\$995	Fragrance Refills	\$16.95	\$16.95
Accu-Massage	N/A	6	HYDROCLEANSE WHIRLPOOL SYS CLNER	\$19.95	\$19.95
Micro Flow	N/A	N/A	GRAB BAR		
Micro Massage (each)	N/A	N/A	Bolt on PB, PC, SN, WH, ALM, BISC	\$125ea.	2-Incl.
Ultra Flow	N/A	4	Standard Grab Bars will be color coordinated to match whirlpool		
Ultra Massage (each)	N/A	\$50	DRAIN KITS		
Sole Soother Seven (N/A in Metallic)	N/A	2	Lift N Turn PB, PC, SN, WH, ALM, BISC, ORB	Incl.	N/A
Back Masseur System	N/A	Incl.	Deluxe Cable Drain PB, PC, SN, WH, ALM, BISC, ORB	\$250	Incl.
Neck Jets Pillow	N/A	\$450	Standard drain colored to match whirlpool with ABS rough unless specified otherwise		
Metallic Trim Kit PC, PB, SN, ORB	\$350	\$600	LIGHTS		
PUMPS					
1.25 AP variable speed	Incl.	Incl.	Mood Light	\$195	Incl.
3.25 Hydro Power 3 speed	N/A	Incl.	Chromatherapy	\$395	\$395
HEATER					
Heater Inline/Electric	N/A	Incl.	PILLOW		
HydroClean Sanitation System	N/A	\$495	Deluxe Oval	Incl.	Incl.
CONTROLS					
Air Switch on/off water pump	N/A	Incl.	STANDARD COLORS		
Electronic variable speed	Incl.	Incl.	White Bone Almond Biscuit	Incl.	Incl.
			Design Colors—refer to page 5	\$495	\$495
			EZ LEVEL QUIET BAR	Incl.	Incl.
			Rush order 72 hour manufacturing (contact factory)	\$495	\$495
			Shipping Boxes	\$90	\$90