

# Escape 536SKTF

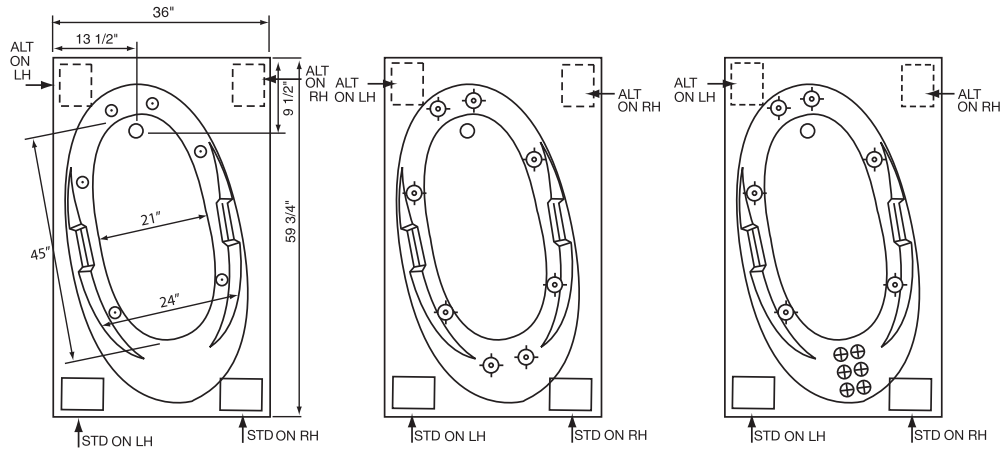
# Escape 536TF

Skirt & Tile Flange (Access Panel with screws and caps)

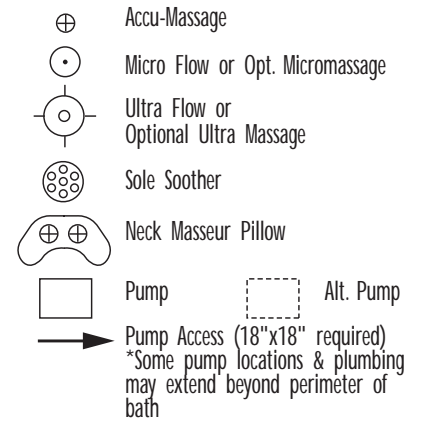
Tile Flange

60" x 36" x 22"

Bronze Series \$1795		Silver Series \$2350		Gold Series \$3195		Soaking Tub \$1395	
#EB6036RHSKTF	#EB6036LHSKTF	#ES6036RHSKTF	#ES6036LHSKTF	#EG6036RHSKTF	#EG6036LHSKTF	#ETO6036RHSKTF	#ETO6036LHSKTF
#EB6036RHTF	#EB6036LHTF	#ES6036RHTF	#ES6036LHTF	#EG6036RHTF	#EG6036LHTF	#ETO6036RHTF	#ETO6036LHTF



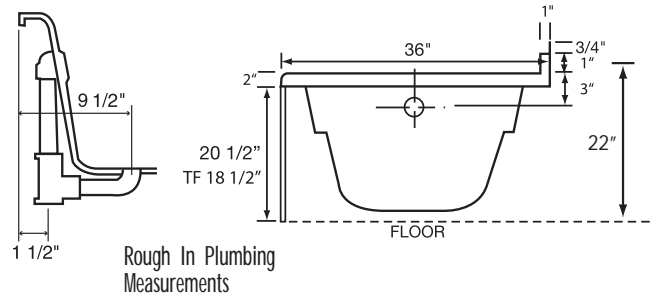
### Equipment Legend



### Electrical Specifications

	Bronze	Silver	Gold
<b>Pump Requirement</b>			
115V 15AMP w/GFCI	1	1	
115V 20AMP w/GFCI			1
<b>Inline Heater Requirement</b>			
115V 15AMP w/GFCI	optional	optional	1
Gallons to Overflow	50 gal		
Gallons to Operate	36-50 gal		

NOTE: Specifications are  $\pm 1/4"$ , features and prices are subject to change without notice  
All final measurements should be taken from tub on site



### Features

	Bronze Series	Silver Series	Gold Series		Bronze Series	Silver Series	Gold Series
<b>JETS</b>				<b>Aromatherapy Fragrance System</b>	\$195	\$195	\$195
Total number of jets	6	8	12	Fragrance Refills	\$16.95	\$16.95	\$16.95
Accu-Massage	N/A	N/A	6	<b>Hydrocleanse Whirlpool Sys Clnr</b>	\$19.95	\$19.95	\$19.95
Micro Flow	6	4	N/A	<b>GRAB BAR</b>			
Micro Massage (each)	\$40	\$40	\$40	Bolt on PB, PC, SN, WH, ALM, BISC	Incl.	Incl.	Incl.
Ultra Flow	N/A	4	6	Standard Grab Bars will be color coordinated to match whirlpool			
Ultra Massage (each)	N/A	\$50	\$50	<b>DRAIN KITS</b>			
Sole Soother Seven (N/A in Metallic)	N/A	N/A	N/A	Lift N Turn PB, PC, SN, WH, ALM, BISC, ORB	\$95	\$95	Incl.
Back Masseur System	N/A	N/A	Incl.	Deluxe Cable Drain PB, PC, SN, WH, ALM, BISC, ORB	\$250	\$250	\$250
Neck Masseur Pillow (incl 2 jets)	N/A	N/A	\$450	Standard drain colored to match whirlpool with ABS rough unless specified otherwise			
Metallic Trim Kit PC, PB, SN, ORB	\$250	\$350	\$400	<b>LIGHTS</b>			
<b>PUMPS</b>				Mood Light	\$195	\$195	\$195
1.25 Hydro Power 1 speed	Incl.	N/A	N/A	Chromatherapy	\$395	\$395	\$395
2.25 Hydro Power 1 speed	N/A	Incl.	N/A	<b>PILLOW</b>			
2.25 Hydro Power 3 speed	\$250	\$250	N/A	Deluxe Oval	\$80	\$80	Incl.
3.25 Hydro Power 3 speed	\$350	\$350	Incl.	<b>STANDARD COLORS</b>			
Alternate Pump Location*	Incl.	Incl.	Incl.	White Bone Almond Biscuit	Incl.	Incl.	Incl.
<b>HEATER</b>				Design Colors-refer to page 5	\$495	\$495	\$495
Heater Inline/Electric	\$395	\$395	Incl.	<b>EZ LEVEL BAR</b>	\$150	\$150	Incl.
Hydro Clean Sanitation System	\$495	\$495	\$495	Rush order 72 hour manufacturing (contact factory)	\$495	\$495	\$495
<b>CONTROLS</b>				Shipping Boxes	\$90	\$90	\$90
Air Switch on/off	Incl.	Incl.	Incl.				

# Escape 536SKTF

Skirt & Tile Flange (Access Panel with screws and caps)

# Escape 536TF

Tile Flange

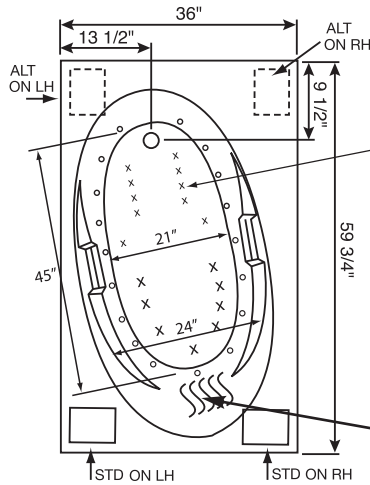
60" x 36" x 22"

## Air Massage Series \$3195

#EA6036RHSKTF #EA6036LHSKTF  
#EA6036RHTF #EA6036LHTF

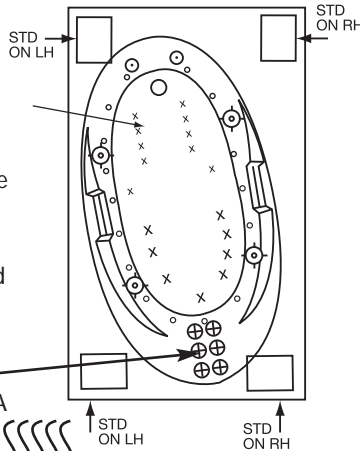
## Combination Series \$5650

#EC6036RHSKTF #EC6036LHSKTF  
#EC6036RHTF #EC6036LHTF



**Optional Deluxe in floor Air Massage jets**—provide muscle therapy directly to the legs and body.

**Standard Warm Air FDA Tubing Zone**



## Equipment Legend

- X Optional deluxe in floor air massage jets
  - Turbo Air Jet
  - ⊕ Accu-Massage
  - Micro Flow or Optional Micromassage
  - Ultra Flow or Optional Ultra Massage
  - ⊙ Sole Soother
  - ⊕ Neck Masseur Pillow
  - Pump
  - Alt. Pump
- Heated FDA Tubing Zone
- ~~~~~
- Pump Access (18"x18" required)  
\*Some pump locations & plumbing may extend beyond perimeter of bath

## Electrical Specifications

### Pump Requirement

115V 15AMP w/GFCI  
115V 20AMP w/GFCI

### Inline Heater Requirement

115V 15AMP w/GFCI

Gallons to Overflow 50 gal

Gallons to Operate 36-50 gal

NOTE: Specifications are  $\pm 1/4"$  and features are subject to change without notice  
All final measurements should be taken from tub on site

### Air Massage

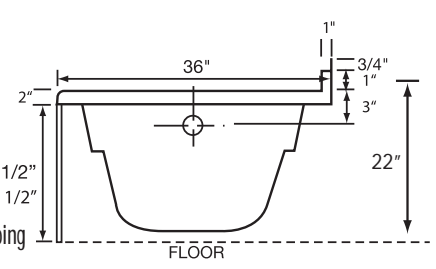
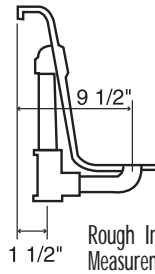
1

### Combination

1

1

1



## Features

	Air Massage Series	Combination Series		Air Massage Series	Combination Series
<b>JETS</b>					
Total number of jets	18	30	<b>AROMATHERAPY FRAGRANCE SYSTEM</b>		
Deluxe air systems	\$995	\$995	Fragrance Refills	\$195	\$195
Accu-Massage	N/A	6		\$16.95	\$16.95
Micro Flow	N/A	2	<b>HYDROCLEANSE WHIRLPOOL SYS CLNER</b>		
Micro Massage (each)	N/A	N/A		\$19.95	\$19.95
Ultra Flow	N/A	4	<b>GRAB BARS</b>		
Ultra Massage (each)	N/A	\$50	Clear Acrylic	Incl.	Incl.
Sole Soother	N/A	N/A	<b>DRAIN KITS</b>		
Back Masseur System	N/A	Incl.	Lift N Turn PB, PC, SN, WH, ALM, BISC, ORB	Incl.	N/A
Neck Masseur Pillow (incl 2 jets)	N/A	\$450	Deluxe Cable Drain PB, PC, SN, WH, ALM, BISC, ORB	\$250	Incl.
Metallic Trim Kit PC, PB, SN, ORB	\$350	\$600	Standard drain colored to match whirlpool with ABS rough unless specified otherwise		
<b>PUMPS</b>					
1.25 AP variable speed	Incl.	Incl.	<b>LIGHTS</b>		
3.25 Hydro Power 3 speed	N/A	Incl.	Mood Light	\$195	Incl.
Pump Location/Alternate*	Incl.	Incl.	Chromatherapy	\$395	\$395
<b>HEATER</b>					
Heater Inline/Electric	N/A	Incl.	<b>PILLOW</b>		
HydroClean Sanitation System	N/A	\$495	Deluxe Oval	Incl.	Incl.
<b>CONTROLS</b>					
Air Switch on/off water pump	N/A	Incl.	<b>STANDARD COLORS</b>		
Electronic variable speed	Incl.	Incl.	White Bone Almond Biscuit	Incl.	Incl.
			Special Colors-refer to page 5	\$495	\$495
			<b>EZ LEVEL QUIET BAR</b>		
				Incl.	Incl.
			Rush order 72 hour manufacturing (contact factory)	\$495	\$495
			Shipping Boxes	\$90	\$90