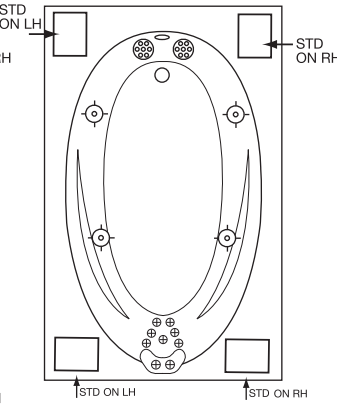
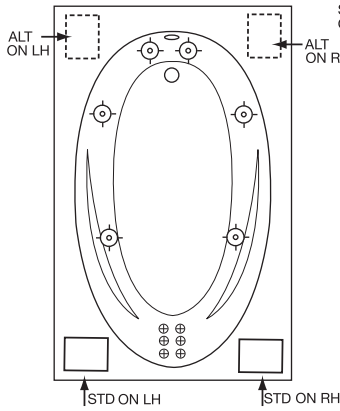
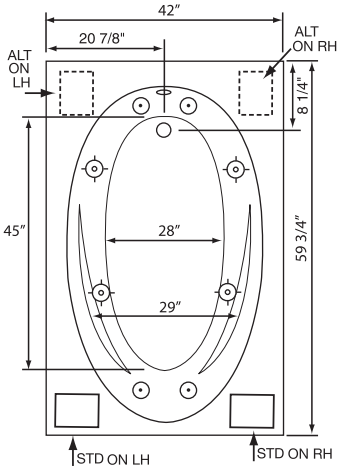


# Escape 542SKTF Skirt & Tile Flange (Recessed Access Panel)

## Escape 542TF Tile Flange

60" x 42" x 22"

| Silver Series \$2350 |               | Gold Series \$3195 |               | Platinum Series \$5300 |               | Soaking Tub \$1495 |                |
|----------------------|---------------|--------------------|---------------|------------------------|---------------|--------------------|----------------|
| #ES6042RHSKTF        | #ES6042LHSKTF | #EG6042RHSKTF      | #EG6042LHSKTF | #EP6042RHSKTF          | #EP6042LHSKTF | #ETO6042RHSKTF     | #ETO6042LHSKTF |
| #ES6042RHTF          | #ES6042LHTF   | #EG6042RHTF        | #EG6042LHTF   | #EP6042RHTF            | #EP6042LHTF   | #ETO6042RHTF       | #ETO6042LHTF   |



### Equipment Legend

- Accu-Massage
- Micro Flow or Opt. Micromassage
- Ultra Flow or Optional Ultra Massage
- Sole Soother
- Neck Masseur Pillow
- Pump  Alt. Pump
- Pump Access (18"x18" required)  
\*Some pump locations & plumbing may extend beyond perimeter of bath

### Electrical Specifications

#### Pump Requirement

115V 15AMP w/GFCI  
115V 20AMP w/GFCI

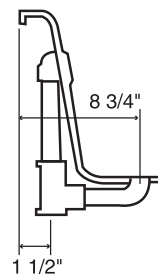
#### Inline Heater Requirement

115V 15AMP w/GFCI

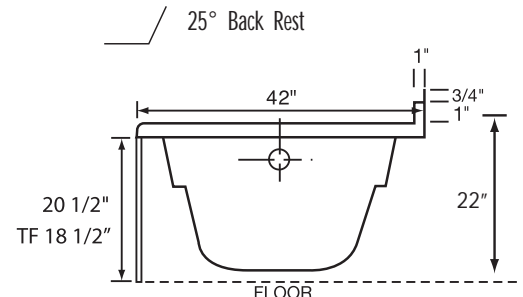
Gallons to Overflow  
Gallons to Operate

|                           | Silver      | Gold | Platinum |
|---------------------------|-------------|------|----------|
| Pump Requirement          | 1           |      |          |
| Inline Heater Requirement | optional    | 1    | 1        |
| Gallons to Overflow       | 60 gal/236L |      |          |
| Gallons to Operate        | 45-60 gal   |      |          |

NOTE: Specifications are  $\pm 1/4"$ , features and prices are subject to change without notice  
All final measurements should be taken from tub on site



Rough In Plumbing Measurements



## Features

|                                      | Silver Series | Gold Series | Platinum Series |                                                                                     | Silver Series | Gold Series | Platinum Series |
|--------------------------------------|---------------|-------------|-----------------|-------------------------------------------------------------------------------------|---------------|-------------|-----------------|
| <b>JETS</b>                          |               |             |                 | <b>Aromatherapy Fragrance System</b>                                                | \$195         | \$195       | \$195           |
| Total number of jets                 | 8             | 12          | 15              | Fragrance Refills                                                                   | \$16.95       | \$16.95     | \$16.95         |
| Accu-Massage                         | N/A           | 6           | 9               | <b>Hydrocleanse Whirlpool Sys Clnr</b>                                              | \$19.95       | \$19.95     | \$19.95         |
| Micro Flow                           | 4             | N/A         | N/A             | <b>GRAB BAR</b>                                                                     |               |             |                 |
| Micro Massage (each)                 | \$40          | \$40        | N/A             | Bolt on PB, PC, SN, WH, ALM, BISC                                                   | \$125ea       | \$125ea     | 2-Incl.         |
| Ultra Flow                           | 4             | 6           | 4               | Standard Grab Bars will be color coordinated to match whirlpool                     |               |             |                 |
| Ultra Massage (each)                 | \$50          | \$50        | \$50            | <b>TILE FLANGE &amp; INTEGRAL SKIRT</b>                                             | Incl.         | Incl.       | Incl.           |
| Sole Soother Seven (N/A in Metallic) | N/A           | N/A         | 2               | <b>DRAIN KITS</b>                                                                   |               |             |                 |
| Back Masseur System                  | N/A           | Incl.       | Incl.           | Lift N Turn PB, PC, SN, WH, ALM, BISC, ORB                                          | \$95          | Incl.       | N/A             |
| Neck Masseur Pillow (incl 2 jets)    | N/A           | \$450       | Incl.           | Deluxe Cable Drain PB, PC, SN, WH, ALM, BISC, ORB                                   | \$250         | \$250       | Incl.           |
| Metallic Trim Kit PC, PB, SN, ORB    | \$250         | \$350       | \$400           | Standard drain colored to match whirlpool with ABS rough unless specified otherwise |               |             |                 |
| <b>PUMPS</b>                         |               |             |                 | <b>LIGHTS</b>                                                                       |               |             |                 |
| 2.25 Hydro Power 1 speed             | Incl.         | N/A         | N/A             | Mood Light                                                                          | \$195         | \$195       | Incl.           |
| 2.25 Hydro Power 3 speed             | \$250         | N/A         | 2-Incl.         | Chromatherapy                                                                       | \$395         | \$395       | \$395           |
| 3.25 Hydro Power 3 speed             | \$350         | Incl.       | N/A             | <b>PILLOW</b>                                                                       |               |             |                 |
| Alternate Pump Location*             | Incl.         | Incl.       | Incl.           | Deluxe Oval                                                                         | \$80          | Incl.       | N/A             |
| <b>HEATER</b>                        |               |             |                 | <b>STANDARD COLORS</b>                                                              |               |             |                 |
| Heater Inline/Electric               | \$395         | Incl.       | Incl.           | White Bone Almond Biscuit                                                           | Incl.         | Incl.       | Incl.           |
| Hydro Clean Sanitation System        | \$495         | \$495       | \$495           | Design Colors-refer to page 5                                                       | \$495         | \$495       | \$495           |
| <b>CONTROLS</b>                      |               |             |                 | <b>EZ LEVEL BAR</b>                                                                 | \$150         | \$150       | Incl.           |
| Air Switch on/off                    | Incl.         | Incl.       | N/A             | Rush order 72 hour manufacturing (contact factory)                                  | \$495         | \$495       | \$495           |
|                                      |               |             |                 | Shipping Boxes                                                                      | \$90          | \$90        | \$90            |

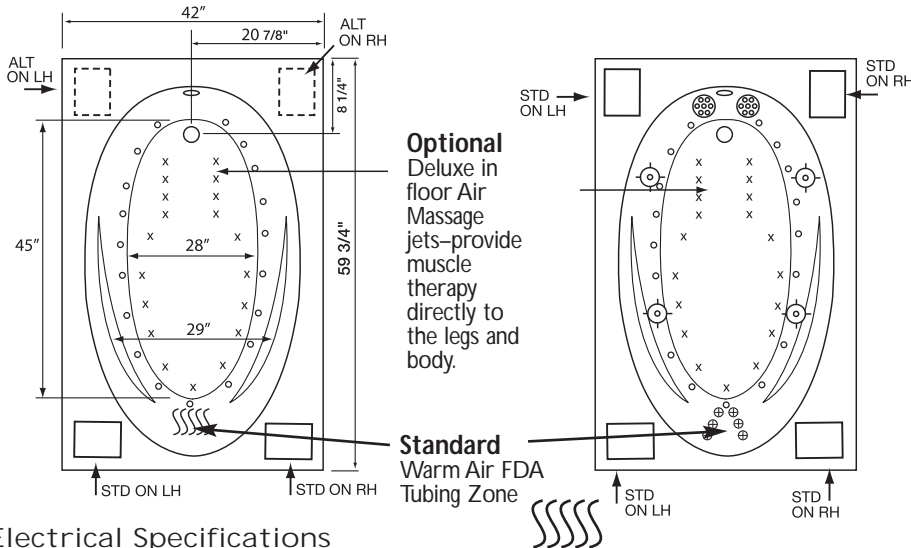
# Escape 542SKTF Skirt & Tile Flange (Recessed Access Panel)

# Escape 542TF Tile Flange

Skirt & Tile Flange (Recessed Access Panel)

60" x 42" x 22"

**Air Massage Series \$3195** #EA6042RHSKTF #EA6042LHSKTF #EA6042RHTF #EA6042LHTF  
**Combination Series \$5650** #EC6042RHSKTF #EC6042LHSKTF #EC6042RHTF #EC6042LHTF



**Optional Deluxe in floor Air Massage jets—provide muscle therapy directly to the legs and body.**

**Standard Warm Air FDA Tubing Zone**

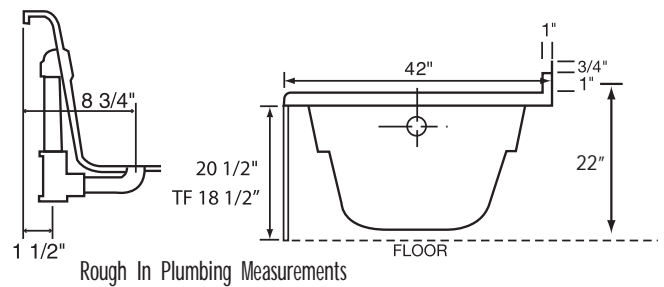
### Equipment Legend

- X Optional deluxe in floor air massage jets
- Turbo Air Jet
- ⊕ Accu-Massage
- Micro Flow or Optional Micromassage
- ⊙ Ultra Flow or Optional Ultra Massage
- ⊙ Sole Soother
- ⊕ Neck Masseur Pillow
- Pump
- Alt. Pump
- Pump Access (18"x18" required)  
\*Some pump locations & plumbing may extend beyond perimeter of bath
- ~~~~~ Heated FDA Tubing Zone

### Electrical Specifications

|                                  | Air Massage | Combination |
|----------------------------------|-------------|-------------|
| <b>Pump Requirement</b>          |             |             |
| 115V 15AMP w/GFCI                | 1           | 1           |
| 115V 20AMP w/GFCI                |             | 1           |
| <b>Inline Heater Requirement</b> |             |             |
| 115V 15AMP w/GFCI                |             | 1           |
| Gallons to Overflow              | 60 gal      |             |
| Gallons to Operate               | 45-60 gal   |             |

NOTE: Specifications are ± 1/4" and features are subject to change without notice  
 All final measurements should be taken from tub on site



### Features

|                                      | Air Massage Series | Combination Series |                                                                                     | Air Massage Series                                 | Combination Series |       |
|--------------------------------------|--------------------|--------------------|-------------------------------------------------------------------------------------|----------------------------------------------------|--------------------|-------|
| <b>JETS</b>                          |                    |                    |                                                                                     |                                                    |                    |       |
| Total number of jets                 | 18                 | 30                 | <b>AROMATHERAPY FRAGRANCE SYSTEM</b>                                                | \$195                                              | \$195              |       |
| Deluxe air systems                   | \$995              | \$995              | Fragrance Refills                                                                   | \$16.95                                            | \$16.95            |       |
| Accu-Massage                         | N/A                | 6                  | <b>HYDROCLEANSE WHIRLPOOL SYS CLNER</b>                                             | \$19.95                                            | \$19.95            |       |
| Micro Flow                           | N/A                | N/A                | <b>GRAB BAR</b>                                                                     |                                                    |                    |       |
| Micro Massage (each)                 | N/A                | N/A                | Bolt on PB, PC, SN, WH, ALM, BISC                                                   | \$125ea                                            | 2-Incl.            |       |
| Ultra Flow                           | N/A                | 4                  | Standard Grab Bars will be color coordinated to match whirlpool                     |                                                    |                    |       |
| Ultra Massage (each)                 | N/A                | \$50               | <b>DRAIN KITS</b>                                                                   |                                                    |                    |       |
| Sole Soother Seven (N/A in Metallic) | N/A                | 2                  | Lift N Turn PB, PC, SN, WH, ALM, BISC, ORB                                          | Incl.                                              | N/A                |       |
| Back Masseur System                  | N/A                | Incl.              | Deluxe Cable Drain PB, PC, SN, WH, ALM, BISC, ORB                                   | \$250                                              | Incl.              |       |
| Neck Masseur Pillow (incl 2 jets)    | N/A                | \$450              | Standard drain colored to match whirlpool with ABS rough unless specified otherwise |                                                    |                    |       |
| Metallic Trim Kit PC, PB, SN, ORB    | \$350              | \$600              | <b>TILE FLANGE &amp; INTEGRAL SKIRT</b>                                             |                                                    |                    |       |
| <b>PUMPS</b>                         |                    |                    |                                                                                     |                                                    |                    |       |
| 1.25 AP variable speed               | Incl.              | Incl.              | Incl.                                                                               |                                                    |                    |       |
| 3.25 Hydro Power 3 speed             | N/A                | Incl.              | <b>LIGHTS</b>                                                                       |                                                    |                    |       |
| Pump Location/Alternate*             | Incl.              | Incl.              | Mood Light                                                                          | \$195                                              | Incl.              |       |
| <b>HEATER</b>                        |                    |                    |                                                                                     |                                                    |                    |       |
| Heater Inline/Electric               | N/A                | Incl.              | Chromatherapy                                                                       | \$395                                              | \$395              |       |
| HydroClean Sanitation System         | N/A                | \$495              | <b>PILLOW</b>                                                                       |                                                    |                    |       |
| <b>CONTROLS</b>                      |                    |                    |                                                                                     |                                                    |                    |       |
| Air Switch on/off water pump         | N/A                | Incl.              | Deluxe Oval                                                                         |                                                    |                    |       |
| Electronic variable speed            | Incl.              | Incl.              | Incl.                                                                               |                                                    |                    |       |
| <b>STANDARD COLORS</b>               |                    |                    |                                                                                     |                                                    |                    |       |
|                                      |                    |                    |                                                                                     | White Bone Almond Biscuit                          | Incl.              | Incl. |
|                                      |                    |                    |                                                                                     | Special Colors—refer to page 5                     | \$495              | \$495 |
|                                      |                    |                    |                                                                                     | <b>EZ LEVEL QUIET BAR</b>                          |                    |       |
|                                      |                    |                    |                                                                                     | Rush order 72 hour manufacturing (contact factory) | \$495              | \$495 |
|                                      |                    |                    |                                                                                     | Shipping Boxes                                     | \$90               | \$90  |