

Escape-636SKTF Skirt & Tile Flange (Recessed Access Panel)

Escape-636TF Tile Flange

72" x 36" x 22"

Silver Series \$2395

#ES7236RHSKTF #ES7236LHSKTF
#ES7236RHTF #ES7236LHTF

Gold Series \$3290

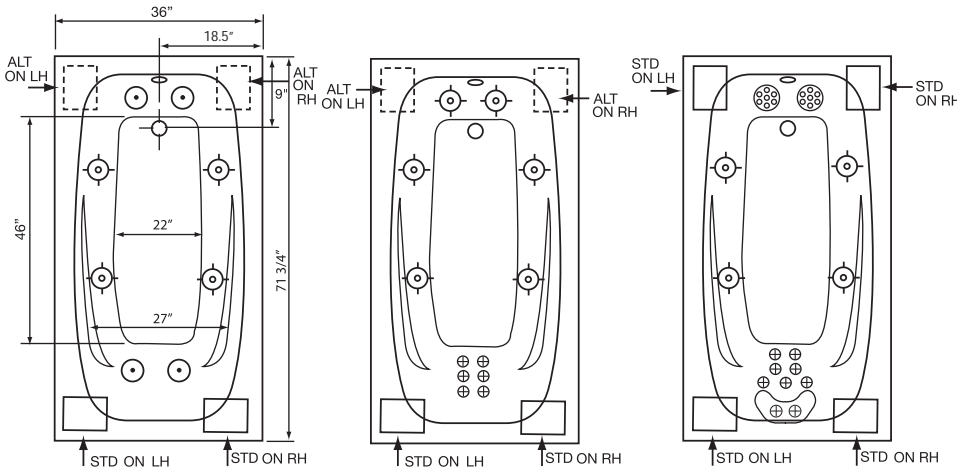
#EG7236RHSKTF #EG7236LHSKTF
#EG7236RHTF #EG7236LHTF

Platinum Series \$5300

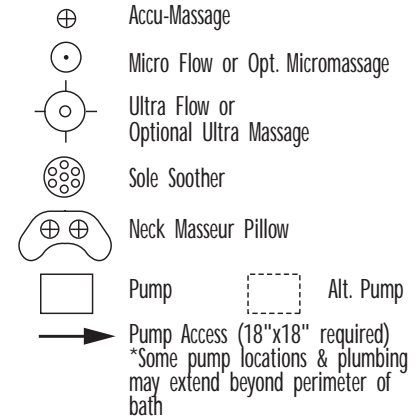
#EP7236RHSKTF #EP7236LHSKTF
#EP7236RHTF #EP7236LHTF

Soaking Tub \$1450

#ETO7236RHSKTF #ETO7236LHSKTF
#ETO7236RHTF #ETO7236LHTF



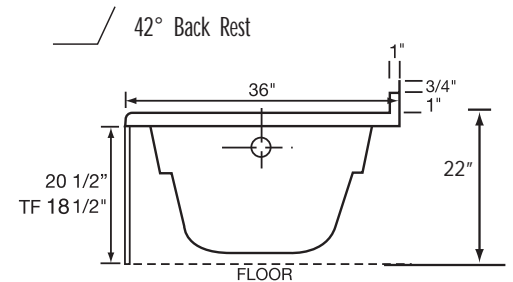
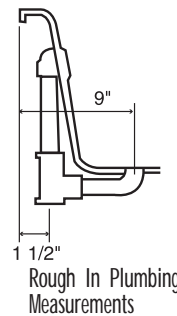
Equipment Legend



Electrical Specifications

	Silver	Gold	Platinum
Pump Requirement			
115V 15AMP w/GFCI	1		2
115V 20AMP w/GFCI		1	
Inline Heater Requirement			
115V 15AMP w/GFCI	optional	1	1
Gallons to Overflow	62 gal/204L		
Gallons to Operate	38 gal/113L		

NOTE: Specifications are $\pm 1/4$ " and features are subject to change without notice
All final measurements should be taken from tub on site



Features

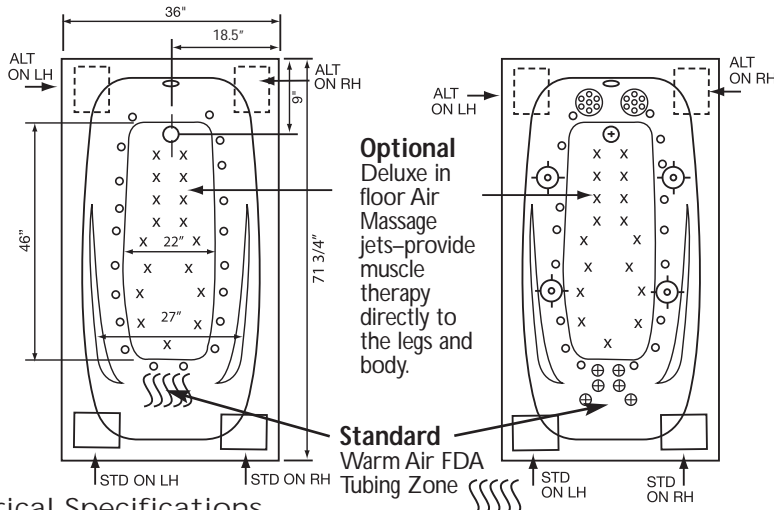
	Silver Series	Gold Series	Platinum Series		Silver Series	Gold Series	Platinum Series
JETS				Aromatherapy Fragrance System	\$195	\$195	\$195
Total number of jets	8	12	15	Fragrance Refills	\$16.95	\$16.95	\$16.95
Accu-Massage	N/A	6	9	Hydrocleanse Whirlpool Sys Clnr	\$19.95	\$19.95	\$19.95
Micro Flow	4	N/A	N/A	GRAB BAR			
Micro Massage (each)	\$40	\$40	N/A	Bolt on PB, PC, SN, WH, ALM, BISC	\$125ea.	\$125ea	2-Incl.
Ultra Flow	4	6	4	Standard Grab Bars will be color coordinated to match whirlpool			
Ultra Massage (each)	\$50	\$50	\$50	DRAIN KITS			
Sole Soother Seven (N/A in Metallic)	N/A	N/A	2	Lift N Turn PB, PC, SN, WH, ALM, BISC, ORB	\$95	Incl.	N/A
Back Masseur System	N/A	Incl.	Incl.	Deluxe Cable Drain PB, PC, SN, WH, ALM, BISC, ORB	\$250	\$250	Incl.
Neck Masseur Pillow (incl 2 jets)	N/A	\$450	Incl.	Standard drain colored to match whirlpool with ABS rough unless specified otherwise			
Metallic Trim Kit PC, PB, SN, ORB	\$250	\$350	\$400	LIGHTS			
PUMPS				Mood Light	\$195	\$195	Incl.
2.25 Hydro Power 1 speed	Incl.	N/A	N/A	Chromatherapy	\$395	\$395	\$395
2.25 Hydro Power 3 speed	\$250	N/A	2-Incl.	PILLOW			
3.25 Hydro Power 3 speed	N/A	Incl.	N/A	Deluxe Oval	\$80	Incl.	N/A
Custom Pump Location(s)*	\$180	\$180	\$180ea	STANDARD COLORS			
HEATER				White Bone Almond Biscuit	Incl.	Incl.	Incl.
Heater Inline/Electric	\$395	Incl.	Incl.	Design Colors-refer to page 5	\$495	\$495	\$495
Hydro Clean Sanitation System	\$495	\$495	\$495	EZ LEVEL BARS	N/A	\$150	Incl.
CONTROLS				Alters deck height. Contact factory.			
Air Switch on/off	Incl.	Incl.	N/A	Rush order 72 hour manufacturing (contact factory)	\$495	\$495	\$495
Air Switch with Digital Temp Readout	N/A	N/A	Incl.	Shipping Boxes	\$90	\$90	\$90

Escape-636SKTF Skirt & Tile Flange (Recessed Access Panel)

Escape-636TF Tile Flange

72" x 36" x 22"

Air Massage Series \$3495		Combination Series \$5600	
#EA7236RHSKTF	#EA7236LHSKTF	#EC7236RHSKTF	#EC7236LHSKTF
#EA7236RHTF	#EA7236LHTF	#EC7236RHTF	#EC7236LHTF



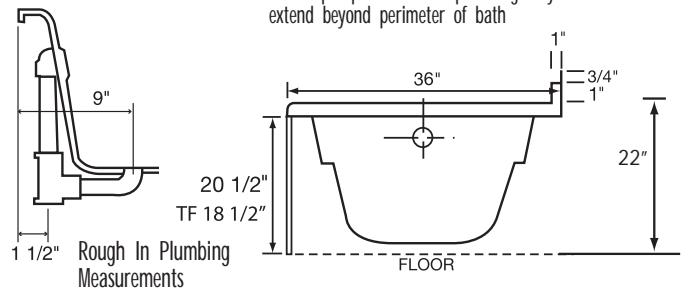
Equipment Legend

- X Optional deluxe in floor air massage jets
 - Turbo Air Jet
 - ⊕ Accu-Massage
 - Micro Flow or Optional Micromassage
 - ⊙ Ultra Flow or Optional Ultra Massage
 - ⊗ Sole Soother
 - ⊕ Neck Masseur Pillow
 - Pump
 - Alt. Pump
- Heated FDA Tubing Zone

Electrical Specifications

	Air Massage	Combination
Pump Requirement		
115V 15AMP w/GFCI	1	1
115V 20AMP w/GFCI		1
Inline Heater Requirement		
115V 15AMP w/GFCI		1
Gallons to Overflow	62 gal/204L	
Gallons to Operate	38 gal/113L	

NOTE: Specifications are $\pm 1/4"$ and features are subject to change without notice
All final measurements should be taken from tub on site



Features

	Air Massage Series	Combination Series		Air Massage Series	Combination Series
JETS					
Total number of jets	18	30			
Deluxe air systems	\$995	\$995			
Accu-Massage	N/A	6			
Micro Flow	N/A	N/A			
Micro Massage (each)	N/A	N/A			
Ultra Flow	N/A	4			
Ultra Massage (each)	N/A	\$50			
Sole Soother Seven (N/A in Metallic)	N/A	2			
Back Masseur System	N/A	Incl.			
Neck Masseur Pillow (incl 2 jets)	N/A	\$450			
Metallic Trim Kit PC, PB, SN, ORB	\$350	\$600			
PUMPS					
1.25 AP variable speed	Incl.	Incl.			
3.25 Hydro Power 3 speed	N/A	Incl.			
Custom Pump Location(s)*	\$180	\$180			
HEATER					
Heater Inline/Electric	N/A	Incl.			
HydroClean Sanitation System	N/A	\$495			
CONTROLS					
Air Switch on/off water pump	N/A	Incl.			
Electronic variable speed	Incl.	Incl.			
AROMATHERAPY FRAGRANCE SYSTEM					
Fragrance Refills	\$195	\$195			
HYDROCLEANSE WHIRLPOOL SYS CLNER					
\$19.95	\$19.95				
GRAB BARS					
Bolt on PB, PC, SN, WH, ALM, BISC	\$250				2-Incl.
Standard Grab Bars will be color coordinated to match whirlpool					
DRAIN KITS					
Lift N Turn PC, PC, SN, WH, ALM, BISC, ORB	Incl.				N/A
Deluxe Cable Drain PB, PC, SN, WH, ALM, BISC, ORB	\$250				Incl.
Standard drain colored to match whirlpool with ABS rough unless specified otherwise					
LIGHTS					
Mood Light	\$195				Incl.
Chromatherapy	\$395				\$395
PILLOW					
Deluxe Oval	Incl.				Incl.
TILE FLANGE INTEGRAL SKIRT WITH ACCESS					
STANDARD COLORS					
White Bone Almond Biscuit	Incl.				Incl.
Special Colors-refer to page 5	\$495				\$495
EZ LEVEL BARS					
Rush order 72 hour manufacturing (contact factory)	\$495				\$495
Shipping Boxes	\$90				\$90