

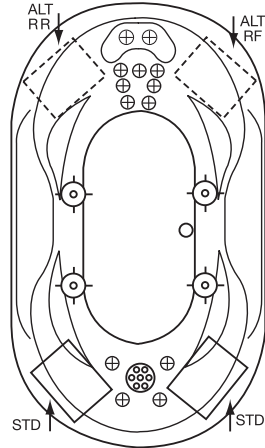
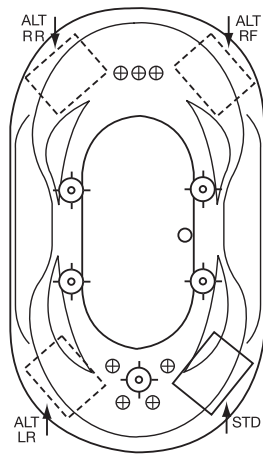
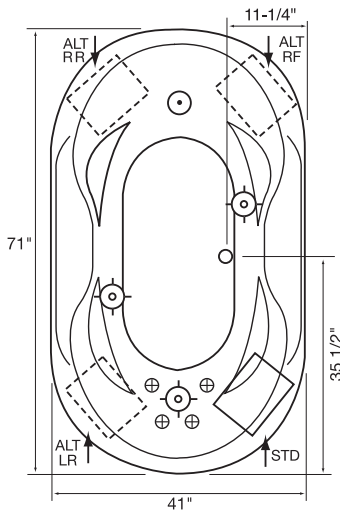
Fantasy

72" x 42" x 28"

Silver Series \$2195
#FS7242

Gold Series \$2995
#FG7242

Platinum Series \$5250
#FP7242



Equipment Legend

- Accu-Massage
- Micro Flow or Opt. Micromassage
- Ultra Flow or Optional Ultra Massage
- Sole Soother
- Neck Masseur Pillow
- Pump Alt. Pump
- Pump Access (18"x18" required)
*Some pump locations & plumbing may extend beyond perimeter of bath
- 25° Back Rest

Electrical Specifications

Pump Requirement

115V 15AMP w/GFCI
115V 20AMP w/GFCI

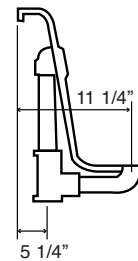
Inline Heater Requirement

115V 15AMP w/GFCI

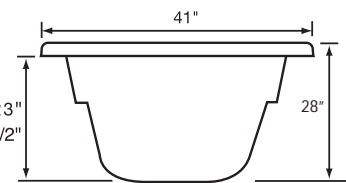
	Silver	Gold	Platinum
Pump Requirement	1	1	2
Inline Heater Requirement	optional	1	1
Gallons to Overflow	85 gal		
Gallons to Operate	75 gal		

Gallons to Overflow
Gallons to Operate

NOTE: Specifications are $\pm 1/4"$ and features are subject to change without notice
All final measurements should be taken from tub on site



Rough In Plumbing Measurements



Features

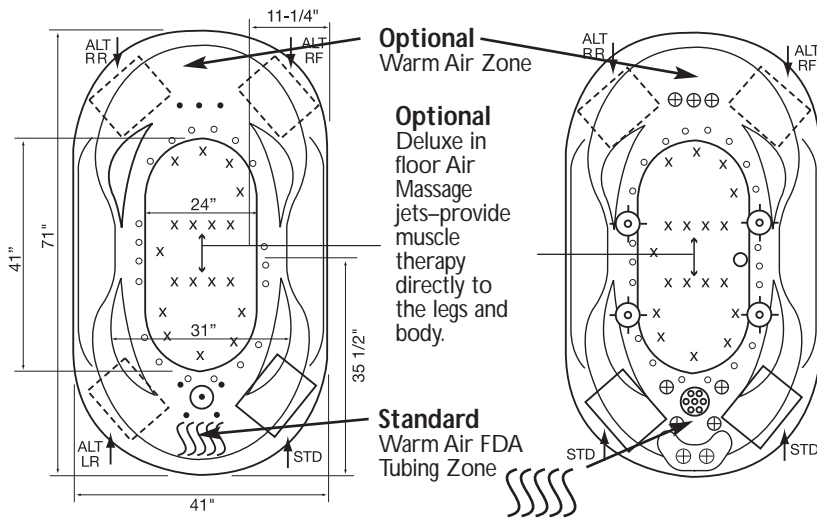
	Silver Series	Gold Series	Platinum Series		Silver Series	Gold Series	Platinum Series
JETS							
Total number of jets	8	12	18				
Accu-Massage	4	7	13				
Micro Flow	1	N/A	N/A				
Micro Massage (each)	\$40	N/A	N/A				
Ultra Flow	3	5	4				
Ultra Massage (each)	\$50	\$50	\$50				
Sole Soother Seven (N/A in Metallic)	N/A	N/A	1				
Back Masseur System	N/A	Incl.	Incl.				
Neck Masseur Pillow (incl 2 jets)	N/A	\$450	Incl.				
Metallic Trim Kit PC, PB, SN, ORB	\$250	\$350	\$400				
PUMPS							
2.25 Hydro Power 1 speed	Incl.	N/A	N/A				
2.25 Hydro Power 3 speed	\$250	N/A	N/A				
3.25 Hydro Power 3 speed	N/A	Incl.	2-Incl.				
Alternate Pump Location*	Incl.	Incl.	Incl.				
Custom Pump Location(s)*	\$180	\$180	\$180ea				
HEATER							
Heater Inline/Electric	\$395	Incl.	Incl.				
Hydro Clean Sanitation System	\$495	\$495	\$495				
CONTROLS							
Air Switch on/off	Incl.	Incl.	N/A				
Air Switch with Digital Temp Readout	N/A	N/A	Incl.				
				Aromatherapy Fragrance System	\$195	\$195	\$195
				Fragrance Refills	\$16.95	\$16.95	\$16.95
				Hydrocleanse Whirlpool Sys Clner	\$19.95	\$19.95	\$19.95
				GRAB BAR			
				Bolt on PB, PC, SN, WH, ALM, BISC	\$125ea	\$125ea	1-Incl.
				Standard Grab Bars will be color coordinated to match whirlpool			
				DRAIN KITS			
				Lift N Turn PB, PC, SN, WH, ALM, BISC, ORB	\$95	Incl.	N/A
				Deluxe Cable Drain PB, PC, SN, WH, ALM, BISC, ORB	\$250	\$250	Incl.
				Standard drain colored to match whirlpool with ABS rough unless specified otherwise			
				LIGHTS			
				Mood Light	\$195	\$195	Incl.
				Chromatherapy	\$395	\$395	\$395
				PILLOW			
				Deluxe Oval	\$80	Incl.	1-Incl.
				STANDARD COLORS			
				White Bone Almond Biscuit	Incl.	Incl.	Incl.
				Design Colors-refer to page 5	\$495	\$495	\$495
				EZ LEVEL QUIET BASE	N/A	\$300	Incl.
				Alters deck height. Contact factory.			
				EZ LEVEL BARS	\$150	\$150	N/A
				Rush order 72 hour manufacturing	\$495	\$495	\$495
				(contact factory)			
				Shipping Boxes	\$90	\$90	\$90

Fantasy

72" x 42" x 28"

Air Massage Series \$3195
#FA7242

Combination Series \$5550
#FC7242

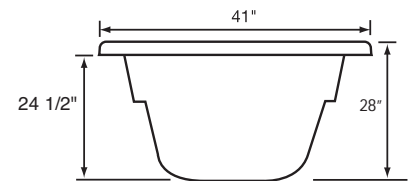
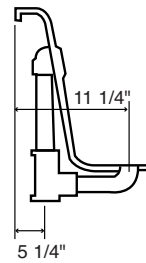


Equipment Legend

- X Optional deluxe in floor air massage jets
 - Turbo Air Jet
 - ⊕ Accu-Massage
 - Micro Flow or Optional Micromassage
 - ⊙ Ultra Flow or Optional Ultra Massage
 - ⊙ Sole Soother
 - ⊕ Neck Masseur Pillow
 - Pump
 - Alt. Pump
- Heated FDA Tubing Zone
- SSSSS
- Pump Access (18"x18" required)
*Some pump locations & plumbing may extend beyond perimeter of bath

Electrical Specifications

	Air Massage	Combination
Pump Requirement		
115V 15AMP w/GFCI	1	1
115V 20AMP w/GFCI		1
Inline Heater Requirement		
115V 15AMP w/GFCI		1
Gallons to Overflow	85 gal	
Gallons to Operate	75 gal	



NOTE: Specifications are ± 1/4", features and prices are subject to change without notice
All final measurements should be taken from tub on site

Rough In Plumbing Measurements

Features

	Air Massage Series	Combination Series		Air Massage Series	Combination Series
JETS					
Total number of jets	18	30	AROMATHERAPY FRAGRANCE SYSTEM	\$195	\$195
Deluxe air systems	\$995	\$995	Fragrance Refills	\$16.95	\$16.95
Accu-Massage	N/A	9	HYDROCLEANSE WHIRLPOOL SYS CLNER	\$19.95	\$19.95
Micro Flow	N/A	N/A	GRAB BAR		
Micro Massage (each)	N/A	N/A	Bolt on PB, PC, SN, WH, ALM, BISC	\$125ea	1-Incl.
Ultra Flow	N/A	4	Standard Grab Bars will be color coordinated to match whirlpool		
Ultra Massage (each)	N/A	\$50	DRAIN KITS		
Sole Soother Seven (N/A in Metallic)	N/A	1	Lift N Turn PB, PC, SN, WH, ALM, BISC, ORB	Incl.	N/A
Back Masseur System	N/A	Incl.	Deluxe Cable Drain PB, PC, SN, WH, ALM, BISC, ORB	\$250	Incl.
Neck Masseur Pillow (incl 2 jets)	N/A	1-Incl./2nd \$450	Standard drain colored to match whirlpool with ABS rough unless specified otherwise		
Metallic Trim Kit PC, PB, SN, ORB	\$350	\$600	LIGHTS		
PUMPS					
1.25 AP variable speed	Incl.	Incl.	Mood Light	\$195	Incl.
3.25 Hydro Power 3 speed	N/A	Incl.	Chromatherapy	\$395	\$395
Pump Location/Alternate*	Incl.	Incl.	PILLOW		
Custom Pump Location(s)*	\$180	\$180ea	Deluxe Oval	Incl.	Incl.
HEATER					
Heater Inline/Electric	N/A	Incl.	STANDARD COLORS		
HydroClean Sanitation System	N/A	\$495	White Bone Almond Biscuit	Incl.	Incl.
CONTROLS					
Air Switch on/off water pump	N/A	Incl.	Special Colors-refer to page 5	\$495	\$495
Electronic variable speed	Incl.	Incl.	EZ LEVEL QUIET BASE	Incl.	Incl.
			Rush order 72 hour manufacturing (contact factory)	\$495	\$495
			Shipping Boxes	\$90	\$90