

# Majestic 6

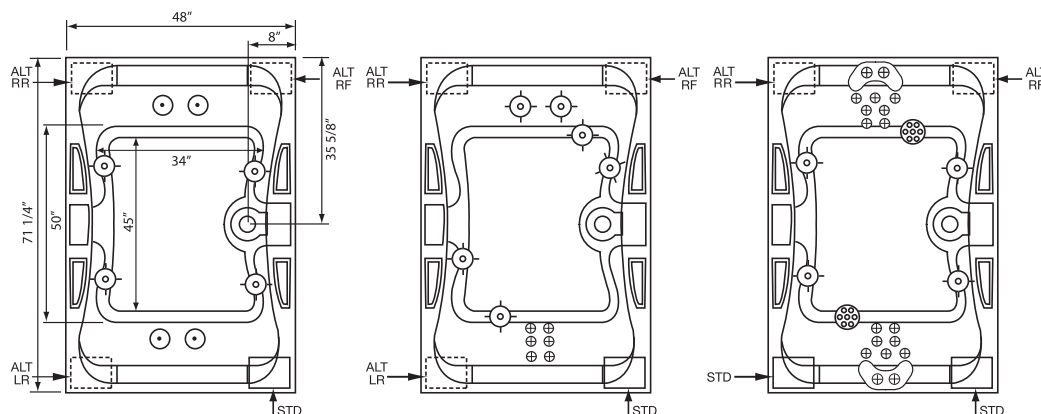
72" x 48" x 23"

**Silver Series \$3290**  
#M6S7248

**Gold Series \$3995**  
#M6G7248

**Platinum Series \$6490**  
#M6P7248

**Soaking Tub \$2550**  
#M6TO7248



## Equipment Legend

- Accu-Massage
- Micro Flow or Opt. Micromassage
- Ultra Flow or Optional Ultra Massage
- Sole Soother
- Neck Masseur Pillow
- Pump  Alt. Pump
- Pump Access (18"x18" required)  
\*Some pump locations & plumbing may extend beyond perimeter of bath
- 25° Back Rest

## Electrical Specifications

### Pump Requirement

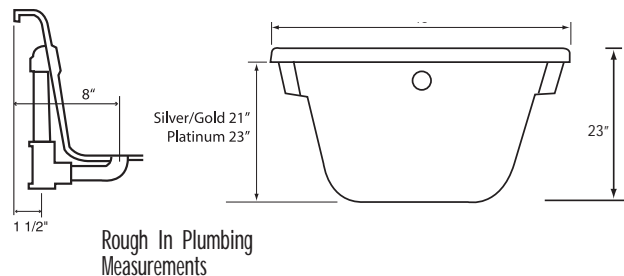
	Silver	Gold	Platinum
115V 15AMP w/GFCI	1		
115V 20AMP w/GFCI		1	2

### Inline Heater Requirement

	Silver	Gold	Platinum
115V 15AMP w/GFCI	optional	1	1

Gallons to Overflow	115 gal
Gallons to Operate	66-115 gal

NOTE: Specifications are  $\pm 1/4"$  and features are subject to change without notice  
All final measurements should be taken from tub on site



## Features

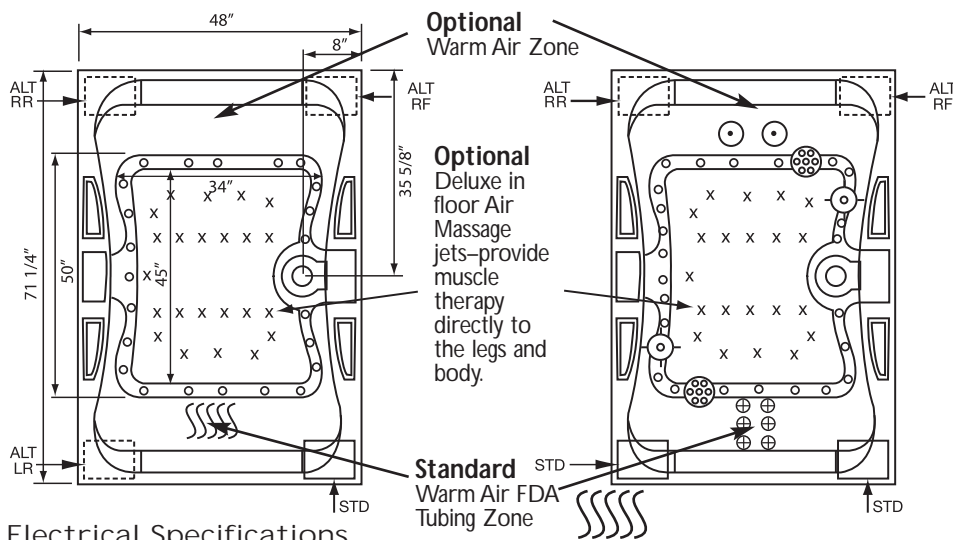
	Silver Series	Gold Series	Platinum Series		Silver Series	Gold Series	Platinum Series
<b>JETS</b>							
Total number of jets	8	12	24	<b>Aromatherapy Fragrance System</b>	\$195	\$195	\$195
Accu-Massage	N/A	6	18	Fragrance Refills	\$16.95	\$16.95	\$16.95
Micro Flow	4	2	N/A	<b>Hydrocleanse Whirlpool Sys Clnr</b>	\$19.95	\$19.95	\$19.95
Micro Massage (each)	\$40	\$40	N/A	<b>GRAB BAR</b>			
Ultra Flow	4	4	6	Bolt on PB, PC, SN, WH, ALM, BISC	\$125ea.	\$125ea.	1-Incl.
Ultra Massage (each)	\$50	\$50	\$50	Standard Grab Bars will be color coordinated to match whirlpool			
Sole Soother Seven (N/A in Metallic)	N/A	N/A	2	<b>DRAIN KITS</b>			
Back Masseur System	N/A	Incl.	Incl.	Lift N Turn PB, PC, SN, WH, ALM, BISC, ORB	\$95	Incl.	N/A
Neck Masseur Pillow (incl 2 jets)	N/A	\$450	2-Incl.	Deluxe Cable Drain PB, PC, SN, WH, ALM, BISC, ORB	\$250	\$250	Incl.
Metallic Trim Kit PC, PB, SN, ORB	\$250	\$350	\$400	Standard drain colored to match whirlpool with ABS rough unless specified			otherwise
<b>PUMPS</b>				<b>TILE FLANGE</b>	N/A	N/A	N/A
2.25 Hydro Power 1 speed	Incl.	N/A	N/A	<b>LIGHTS</b>			
2.25 Hydro Power 3 speed	\$250	N/A	N/A	Mood Light	\$195	\$195	Incl.
3.25 Hydro Power 3 speed	\$350	Incl.	2-Incl.	Chromatherapy	\$395	\$395	\$395
Alternate Pump Location*	Incl.	Incl.	Incl.	<b>PILLOW</b>			
Custom Pump Location(s)	\$180	\$180	\$180ea	Deluxe Oval	\$80	2-Incl.	N/A
<b>HEATER</b>				<b>STANDARD COLORS</b>			
Heater Inline/Electric	\$395	Incl.	Incl.	White Bone Almond Biscuit	Incl.	Incl.	Incl.
Hydro Clean Sanitation System	\$495	\$495	\$495	Design Colors-refer to page 5	\$495	\$495	\$495
<b>CONTROLS</b>				<b>EZ LEVEL QUIET BASE</b>	\$300	\$300	Incl.
Air Switch on/off	Incl.	Incl.	N/A	Alters deck height. Contact factory.			
				<b>EZ LEVEL BARS</b>	\$150	\$150	N/A
				Rush order 72 hour manufacturing (contact factory)	\$495	\$495	\$495
				Shipping Boxes	\$90	\$90	\$90

# Majestic 6

72" x 48" x 23"

**Air Massage Series \$4390**  
#MA7248

**Combination Series \$6795**  
#MC7248



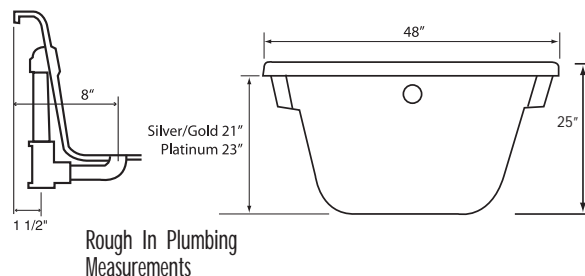
## Equipment Legend

- X Optional deluxe in floor air massage jets
- Turbo Air Jet
- ⊕ Accu-Massage
- Micro Flow or Optional Micromassage
- ⊖ Ultra Flow or Optional Ultra Massage
- ⊙ Sole Soother
- ⊕⊕ Neck Masseur Pillow
- Pump
- Alt. Pump
- Pump Access (18"x18" required)  
\*Some pump locations & plumbing may extend beyond perimeter of bath
- Heated FDA Tubing Zone
- SSSSS

## Electrical Specifications

	Air Massage	Combination
<b>Pump Requirement</b>		
115V 15AMP w/GFCI	1	1
115V 20AMP w/GFCI		1
<b>Inline Heater Requirement</b>		
115V 15AMP w/GFCI		1
Gallons to Overflow	115 gal	
Gallons to Operate	66-115 gal	

NOTE: Specifications are  $\pm 1/4"$  and features are subject to change without notice  
All final measurements should be taken from tub on site



## Features

	Air Massage Series	Combination Series	Air Massage Series	Combination Series	Series
<b>JETS</b>					
Total number of jets	24	36	<b>HYDROCLEANSE WHIRLPOOL SYS CLNER</b>	\$19.95	\$19.95
Deluxe air systems	\$995	\$995	<b>GRAB BAR</b>		
Accu-Massage	N/A	6	Bolt on PB, PC, SN, WH, ALM, BISC	\$125 ea.	1-Incl.
Micro Flow	N/A	2	Standard Grab Bars will be color coordinated to match whirlpool		
Micro Massage (each)	N/A	\$40	<b>TILE FLANGE</b>	N/A	N/A
Ultra Flow	N/A	2	<b>DRAIN KITS</b>		
Ultra Massage (each)	N/A	\$50	Lift N Turn PC, PB, SN, WH, ALM, BISC, ORB	Incl.	N/A
Sole Soother Seven (N/A in Metallic)	N/A	2	Deluxe Cable Drain PB, PC, SN, WH, ALM, BISC, ORB	\$250	Incl.
Back Masseur System	N/A	Incl.	Standard drain colored to match whirlpool with ABS rough unless specified otherwise		
Neck Masseur Pillow (incl 2 jets)	N/A	\$450	<b>LIGHTS</b>		
Metallic Trim Kit PC, PB, SN, ORB	\$350	\$600	Mood Light	\$195	Incl.
<b>PUMPS</b>			Chromatherapy	\$395	\$395
1.25 AP variable speed	Incl.	Incl.	<b>PILLOW</b>		
3.25 Hydro Power 3 speed	N/A	Incl.	Deluxe Oval	2-Incl.	2-Incl.
Pump Location/Alternate*	Incl.	Incl.	<b>STANDARD COLORS</b>		
Custom Pump Location(s)*	\$180	\$180	White Bone Almond Biscuit	Incl.	Incl.
<b>HEATER</b>			Special Colors-refer to page 5	\$495	\$495
Heater Inline/Electric	N/A	Incl.	<b>EZ LEVEL QUIET BASE</b>	Incl.	Incl.
HydroClean Sanitation System	N/A	\$495	Rush order 72 hour manufacturing (contact factory)	\$495	\$495
<b>CONTROLS</b>			Shipping Boxes	\$90	\$90
Air Switch on/off water pump	N/A	Incl.			
Electronic variable speed	Incl.	Incl.			
<b>AROMATHERAPY FRAGRANCE SYS</b>	\$195	\$195			
Fragrance Refills	\$16.95	\$16.95			