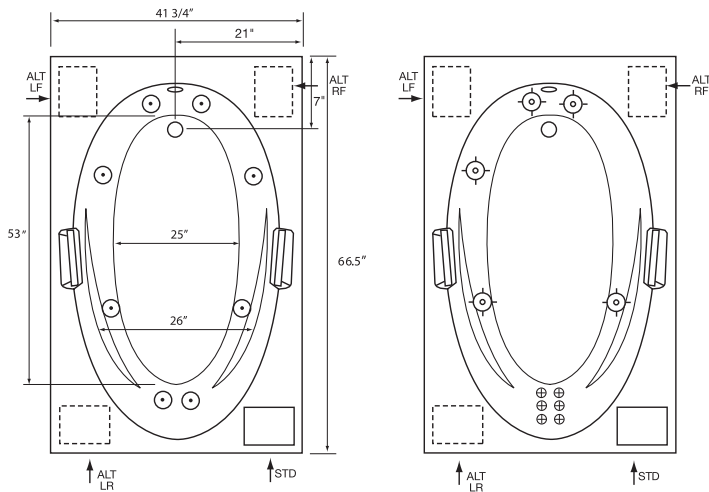


# Mirage 5.5

66" x 42" x 22"

<b>Silver Series \$2050</b> #MS6642	<b>Gold Series \$2995</b> #MG6642	<b>Soaking Tub \$1095</b> #MTO6642
--	--------------------------------------	---------------------------------------



## Equipment Legend

- Accu-Massage
- Micro Flow or Opt. Micromassage
- Ultra Flow or Optional Ultra Massage
- Sole Soother
- Neck Masseur Pillow
- Pump Alt. Pump
- Pump Access (18"x18" required)  
\*Some pump locations & plumbing may extend beyond perimeter of bath
- 25° Back Rest

## Electrical Specifications

### Pump Requirement

115V 15AMP w/GFCI  
115V 20AMP w/GFCI

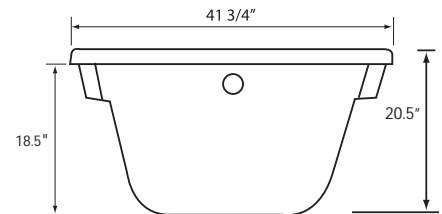
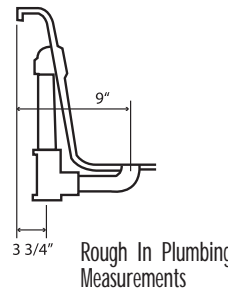
### Inline Heater Requirement

115V 15AMP w/GFCI

Gallons to Overflow 62 gal/236L  
Gallons to Operate 32 gal/121L

NOTE: Specifications are  $\pm 1/4$ ", features and prices are subject to change without notice  
All final measurements should be taken from tub on site

	Silver	Gold
Pump Requirement	1	1
Inline Heater Requirement	optional	1



## Features

	Silver Series	Gold Series		Silver Series	Gold Series
<b>JETS</b>			<b>Aromatherapy Fragrance System</b>		
Total number of jets	8	12	Fragrance Refills	\$195	\$195
Accu-Massage	N/A	6	<b>Hydrocleanse Whirlpool Sys Clnr</b>	\$16.95	\$16.95
Micro Flow	4	N/A		\$19.95	\$19.95
Micro Massage (each)	\$40	N/A	<b>GRAB BAR</b>		
Ultra Flow	4	6	Clear Acrylic	\$125ea.	\$125ea.
Ultra Massage (each)	\$50	\$50	<b>TILE FLANGE</b>		
Sole Soother Seven (N/A in Metallic)	N/A	N/A		\$175	\$175
Back Masseur System	N/A	Incl.	<b>DRAIN KITS</b>		
Neck Masseur Pillow (incl 2 jets)	N/A	\$450	Lift N Turn PB, PC, SN, WH, ALM, BISC, ORB	\$95	Incl.
Metallic Trim Kit PC, PB, SN, ORB	\$250	\$350	Deluxe Cable Drain PB, PC, SN, WH, ALM, BISC, ORB	\$250	\$250
<b>PUMPS</b>			Standard drain colored to match whirlpool with ABS rough unless specified otherwise		
2.25 Hydro Power 1 speed	Incl.	N/A	<b>LIGHTS</b>		
2.25 Hydro Power 3 speed	\$250	N/A	Mood Light	\$195	\$195
3.25 Hydro Power 3 speed	N/A	Incl.	Chromatherapy	\$395	\$395
Alternate Pump Location*	Incl.	Incl.	<b>PILLOW</b>		
Custom Pump Location(s)*	\$180	\$180	Deluxe Oval	\$80	Incl.
<b>HEATER</b>			<b>STANDARD COLORS</b>		
Heater Inline/Electric	\$395	Incl.	White Bone Almond Biscuit	Incl.	Incl.
Hydro Clean Sanitation System	\$495	\$495	Design Colors-refer to page 5	\$495	\$495
<b>CONTROLS</b>			<b>EZ LEVEL QUIET BASE</b>		
Air Switch on/off	Incl.	Incl.	Alters deck height. Contact factory.	N/A	\$300
			<b>EZ LEVEL BARS</b>		
			Rush order 72 hour manufacturing (contact factory)	\$150	\$150
			Shipping Boxes	\$495	\$495
				\$90	\$90

# Mirage 5.5

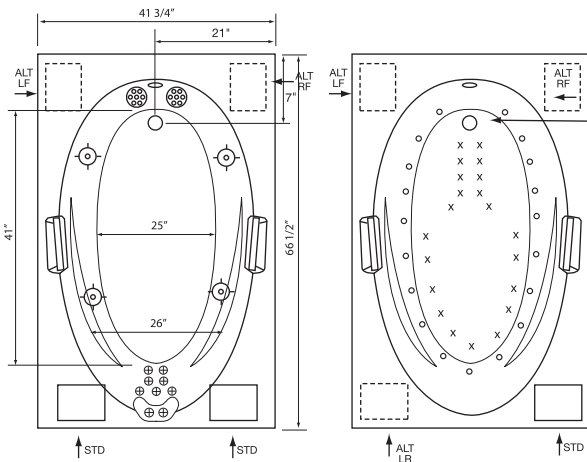
66" x 42" x 22"

Platinum Series \$5350 Air Massage Series \$3195 Combination Series \$5650

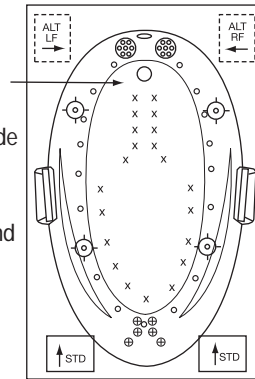
#MP6642

#MA6642

#MC6642



**Optional Deluxe in floor Air Massage jets—provide muscle therapy directly to the legs and body.**



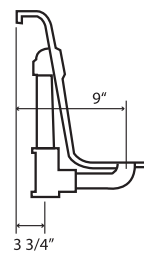
## Equipment Legend

- X Optional deluxe in floor air massage jets
  - Turbo Air Jet
  - ⊕ Accu-Massage
  - Micro Flow or Optional Micromassage
  - ⊙ Ultra Flow or Optional Ultra Massage
  - ⊗ Sole Soother
  - ⊕ Neck Masseur Pillow
  - Pump
  - Alt. Pump
  - Pump Access (18"x18" required)  
\*Some pump locations & plumbing may extend beyond perimeter of bath
- Heated FDA Tubing Zone
- 

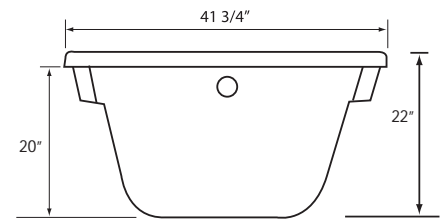
## Electrical Specifications

	Platinum	Air Massage	Combination
<b>Pump Requirement</b>			
115V 15AMP w/GFCI	2	1	1
115V 20AMP w/GFCI			1
<b>Inline Heater Requirement</b>			
115V 15AMP w/GFCI	1		1
Gallons to Overflow	62 gal/236L		
Gallons to Operate	32 gal/121L		

NOTE: Specifications are ± 1/4" and features are subject to change without notice  
All final measurements should be taken from tub on site



Rough In Plumbing Measurements



## Features

	Platinum Series	Air Massage Series	Combination Series	Platinum Series	Air Massage Series	Combination Series
<b>JETS</b>						
Total number of jets	15	18	30			
Deluxe air systems	N/A	\$995	\$995			
Accu-Massage	9	N/A	6			
Micro Flow	N/A	N/A	N/A			
Micro Massage (each)	N/A	N/A	N/A			
Ultra Flow	4	N/A	4			
Ultra Massage (each)	\$50	N/A	\$50			
Sole Soother Seven (N/A in Metallic)	2	N/A	2			
Back Masseur System	Incl.	N/A	Incl.			
Neck Masseur Pillow (incl 2 jets)	Incl.	N/A	\$450			
Metallic Trim Kit PC, PB, SN, ORB	\$400	\$350	\$600			
<b>PUMPS</b>						
1.25 AP variable speed	N/A	Incl.	Incl.			
2.25 Hydro Power 3 speed	2 Incl.	N/A	Incl.			
Pump Location/Alternate*	Incl.	Incl.	Incl.			
Custom Pump Location(s)*	\$180	\$180	\$180ea			
<b>HEATER</b>						
Heater Inline/Electric	Incl.	N/A	Incl.			
HydroClean Sanitation System	\$495	N/A	\$495			
<b>CONTROLS</b>						
Air Switch on/off water pump	N/A	N/A	Incl.			
Electronic variable speed	Incl.	Incl.	Incl.			
<b>AROMATHERAPY FRAGRANCE SYSTEM</b>						
				\$195		\$195
Fragrance Refills				\$16.95		\$16.95
<b>HYDROCLEANSE WHIRLPOOL SYS CLNER</b>						
				\$19.95		\$19.95
<b>GRAB BARS</b>						
Clear Acrylic				Incl.	Incl.	Incl.
<b>TILE FLANGE</b>						
	\$175	\$175	\$175			
<b>DRAIN KITS</b>						
Lift N Turn PB, PC, SN, WH, ALM, BISC, ORB				N/A	Incl.	N/A
Deluxe Cable Drain PB, PC, SN, WH, ALM, BISC, ORB				Incl.	\$250	Incl.
Standard drain colored to match whirlpool with ABS rough unless specified otherwise						
<b>LIGHTS</b>						
Mood Light				Incl.	\$195	Incl.
Chromatherapy				\$395	\$395	\$395
<b>PILLOW</b>						
Deluxe Oval				N/A	Incl.	Incl.
<b>STANDARD COLORS</b>						
White Bone Almond Biscuit				Incl.	Incl.	Incl.
Special Colors-refer to page 5				\$495	\$495	\$495
<b>EZ LEVEL QUIET BASE</b>						
				Incl.	Incl.	Incl.
Rush order. 72 hour manufacturing (contact factory)				\$495	\$495	\$495
Shipping Boxes				\$90	\$90	\$90