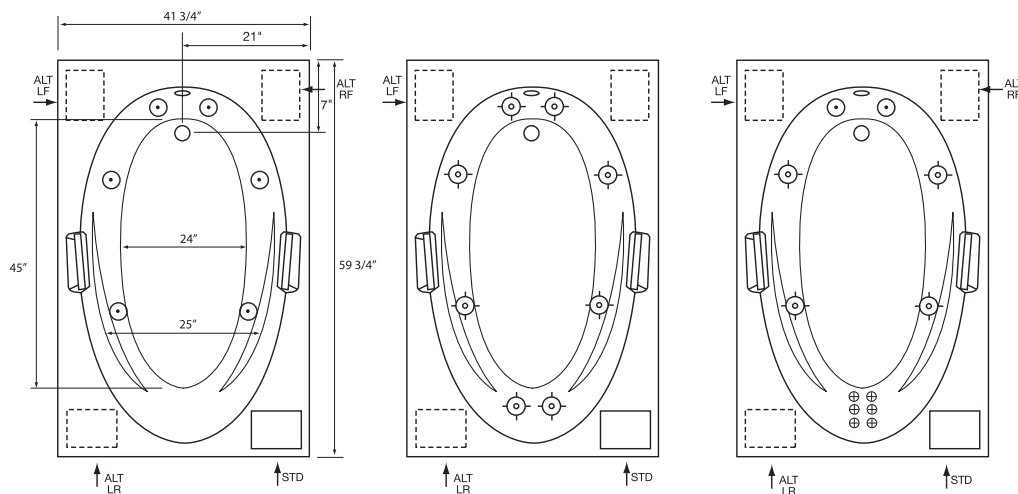


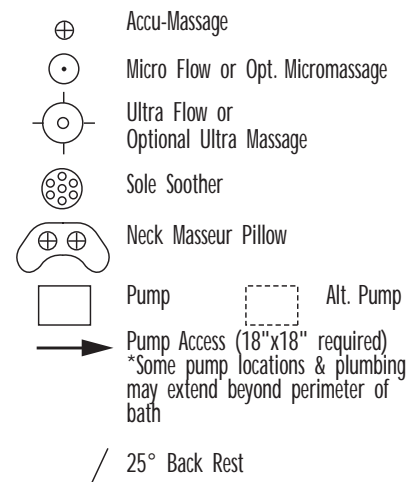
# Mirage 5

60" x 42" x 22"

<b>Bronze Series \$1695</b> #MB6042	<b>Silver Series \$1795</b> #MS6042	<b>Gold Series \$2995</b> #MG6042	<b>Soaking Tub \$995</b> #MTO6042
--	--	--------------------------------------	--------------------------------------



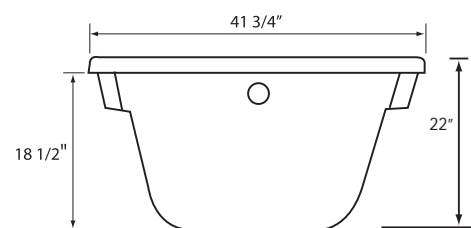
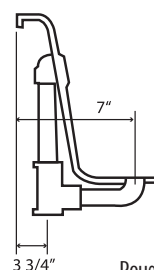
## Equipment Legend



## Electrical Specifications

	Bronze	Silver	Gold
<b>Pump Requirement</b>			
115V 15AMP w/GFCI	1	1	
115V 20AMP w/GFCI			1
<b>Inline Heater Requirement</b>			
115V 15AMP w/GFCI	optional	optional	1
Gallons to Overflow	62 gal/236L		
Gallons to Operate	32 gal-62 gal		

NOTE: Specifications are  $\pm 1/4"$ , features and prices are subject to change without notice  
All final measurements should be taken from tub on site



Rough In Plumbing Measurements

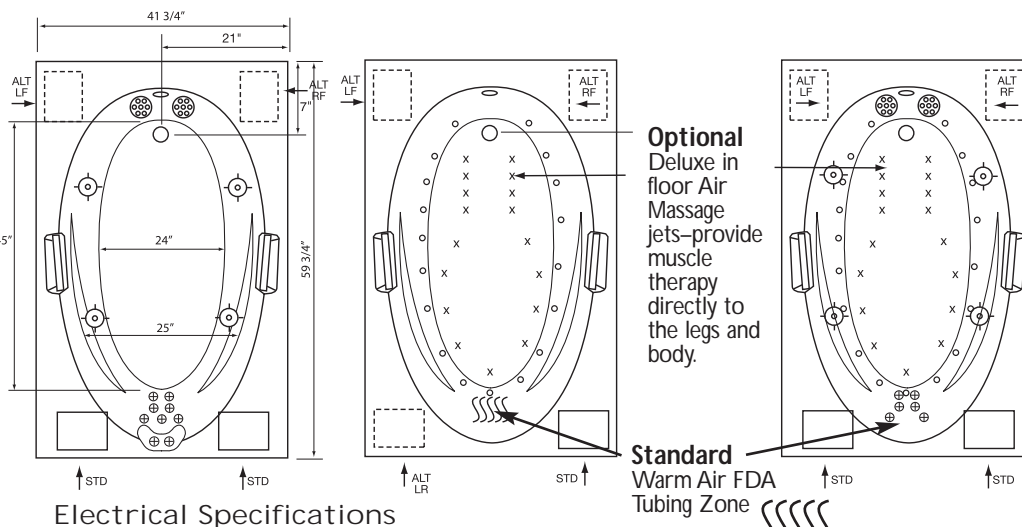
## Features

	Bronze Series	Silver Series	Gold Series	Bronze Series	Silver Series	Gold Series
<b>JETS</b>						
Total number of jets	6	8	12			
Accu-Massage	N/A	N/A	6			
Micro Flow	6	4	N/A			
Micro Massage (each)	\$40	\$40	\$40			
Ultra Flow	N/A	4	6			
Ultra Massage (each)	\$50	\$50	\$50			
Sole Soother Seven (N/A in Metallic)	N/A	N/A	N/A			
Back Masseur System	N/A	N/A	Incl.			
Neck Masseur Pillow (incl 2 jets)	N/A	N/A	\$450			
Metallic Trim Kit PC, PB, SN, ORB	\$250	\$250	\$350			
<b>PUMPS</b>						
1.25 Hydro Power 1 speed	Incl.	N/A	N/A			
2.25 Hydro Power 1 speed	N/A	Incl.	N/A			
2.25 Hydro Power 3 speed	\$250	\$250	N/A			
3.25 Hydro Power 3 speed	N/A	N/A	Incl.			
Alternate Pump Location*	Incl.	Incl.	Incl.			
Custom Pump Location(s)*	\$180	\$180	\$180ea			
<b>HEATER</b>						
Heater Inline/Electric	\$395	\$395	Incl.			
Hydro Clean Sanitation System	\$495	\$495	\$495			
<b>CONTROLS</b>						
Air Switch on/off	Incl.	Incl.	Incl.			
<b>Aromatherapy Fragrance System</b>				\$195	\$195	\$195
Fragrance Refills				\$16.95	\$16.95	\$16.95
<b>Hydrocleanse Whirlpool Sys Clnr</b>				\$19.95	\$19.95	\$19.95
<b>GRAB BAR</b>						
Clear Acrylic				Incl.	Incl.	Incl.
<b>DRAIN KITS</b>						
Lift N Turn PB, PC, SN, WH, ALM, BISC, ORB				\$95	\$95	Incl.
Deluxe Cable Drain PB, PC, SN, WH, ALM, BISC, ORB				\$250	\$250	\$250
Standard drain colored to match whirlpool with ABS rough unless specified otherwise						
<b>TILE FLANGE</b>				\$175	\$175	\$175
<b>LIGHTS</b>						
Mood Light				\$195	\$195	\$195
Chromatherapy				\$395	\$395	\$395
<b>PILLOW</b>						
Deluxe Oval				\$80	\$80	Incl.
<b>STANDARD COLORS</b>						
White Bone Almond Biscuit				Incl.	Incl.	Incl.
Design Colors-refer to page 5				\$495	\$495	\$495
<b>EZ LEVEL QUIET BASE</b>				N/A	N/A	\$300
Alters deck height. Contact factory.						
<b>EZ LEVEL BARS</b>				\$150	\$150	\$150
Rush order 72 hour manufacturing (contact factory)				\$495	\$495	\$495
Shipping Boxes				\$90	\$90	\$90

# Mirage 5

60" x 42" x 22"

Platinum Series \$5350 #MP6042    Air Massage Series \$2995 #MA6042    Combination Series \$5600 #MC6042



## Equipment Legend

- X Optional deluxe in floor air massage jets
  - Turbo Air Jet
  - ⊕ Accu-Massage
  - Micro Flow or Optional Micromassage
  - ⊙ Ultra Flow or Optional Ultra Massage
  - ⊙ Sole Soother
  - ⊕ Neck Masseur Pillow
  - Pump
  - Alt. Pump
- Heated FDA Tubing Zone
- ~~~~~
- Pump Access (18"x18" required)  
\*Some pump locations & plumbing may extend beyond perimeter of bath

## Electrical Specifications

### Pump Requirement

115V 15AMP w/GFCI  
115V 20AMP w/GFCI

### Inline Heater Requirement

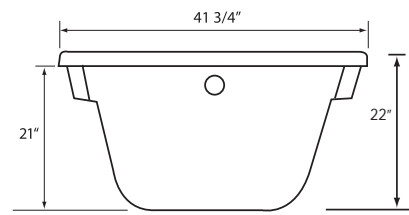
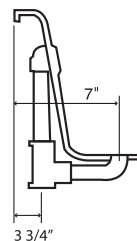
115V 15AMP w/GFCI

Gallons to Overflow: 62 gal/236L  
Gallons to Operate: 32 gal-62 gal

Platinum    Air Massage    Combination

2	1	1
1		1

NOTE: Specifications are ± 1/4" and features are subject to change without notice  
All final measurements should be taken from tub on site



Rough In Plumbing Measurements

## Features

	Platinum Series	Air Massage Series	Combination Series		Platinum Series	Air Massage Series	Combination Series
<b>JETS</b>					<b>AROMATHERAPY FRAGRANCE SYSTEM</b>		
Total number of jets	15	18	30			\$195	\$195
Deluxe air systems	N/A	\$995	\$995			Fragrance Refills	\$16.95
Accu-Massage	9	N/A	6			<b>HYDROCLEANSE WHIRLPOOL SYS CLNER</b>	\$19.95
Micro Flow	N/A	N/A	N/A			<b>GRAB BARS</b>	
Micro Massage (each)	N/A	N/A	N/A			Clear Acrylic	Incl. Incl. Incl.
Ultra Flow	4	N/A	4			<b>DRAIN KITS</b>	
Ultra Massage (each)	\$50	N/A	\$50			Lift N Turn PB, PC, SN, WH, ALM, BISC, ORB	N/A Incl. N/A
Sole Soother Seven (N/A in Metallic)	2	N/A	2			Deluxe Cable Drain PB, PC, SN, WH, ALM, BISC, ORB	Incl. \$250 Incl.
Back Masseur System	Incl.	N/A	Incl.			Standard drain colored to match whirlpool with ABS rough unless specified otherwise	
Neck Masseur Pillow (incl 2 jets)	Incl.	N/A	\$450			<b>TILE FLANGE</b>	\$175 \$175 \$175
Metallic Trim Kit PC, PB, SN, ORB	\$450	\$350	\$600			<b>LIGHTS</b>	
<b>PUMPS</b>						Mood Light	Incl. \$195 Incl.
1.25 AP variable speed	N/A	Incl.	Incl.			Chromatherapy	\$395 \$395 \$395
2.25 Hydro Power 3 speed	2 Incl.	N/A	N/A			<b>PILLOW</b>	
3.25 Hydro Power 3 speed	N/A	N/A	Incl.			Deluxe Oval	N/A Incl. Incl.
Pump Location/Alternate*	Incl.	Incl.	Incl.			<b>STANDARD COLORS</b>	
Custom Pump Location(s)*	\$180	\$180	\$180ea			White Bone Almond Biscuit	Incl. Incl. Incl.
<b>HEATER</b>						Special Colors-refer to page 5	\$495 \$495 \$495
Heater Inline/Electric	Incl.	N/A	Incl.			<b>EZ LEVEL QUIET BASE</b>	Incl. Incl. Incl.
HydroClean Sanitation System	\$495	N/A	\$495			Rush order 72 hour manufacturing (contact factory)	\$495 \$495 \$495
<b>CONTROLS</b>						Shipping Boxes	\$90 \$90 \$90
Air Switch on/off water pump	N/A	N/A	Incl.				
Electronic variable speed	N/A	Incl.	Incl.				