

# Mystique 5.5SKTF

# Mystique 5.5TF

Skirt & Tile Flange (Access Panel with screws and caps)

Tile Flange

66" x 32" x 22"

## Silver Series \$2195

#MS6632RHSKTF #MS6632LHSKTF  
#MS6632RHTF #MS6632LHTF

## Gold Series \$3150

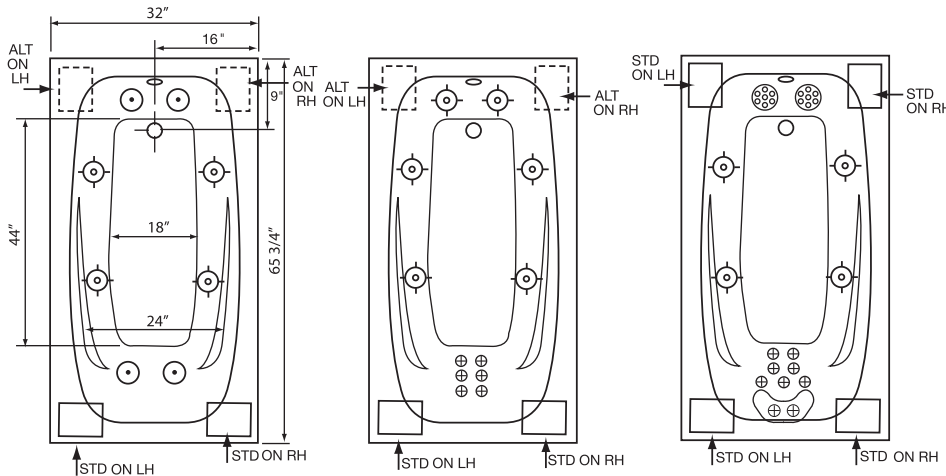
#MG6632RHSKTF #MG6632LHSKTF  
#MG6632RHTF #MG6632LHTF

## Platinum Series \$5350

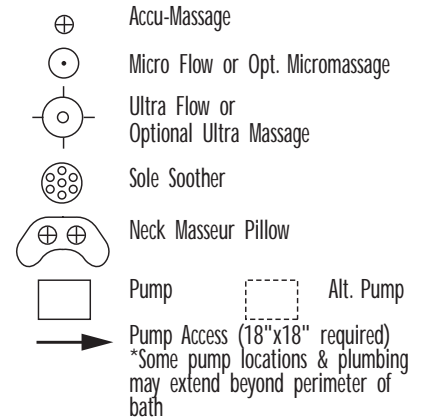
#MP6632RHSKTF #MP6632LHSKTF  
#MP6632RHTF #MP6632LHTF

## Soaking Tub \$1450

#MTO6632RHSKTF #MTO6632LHSKTF  
#MTO6632RHTF #MTO6632LHTF



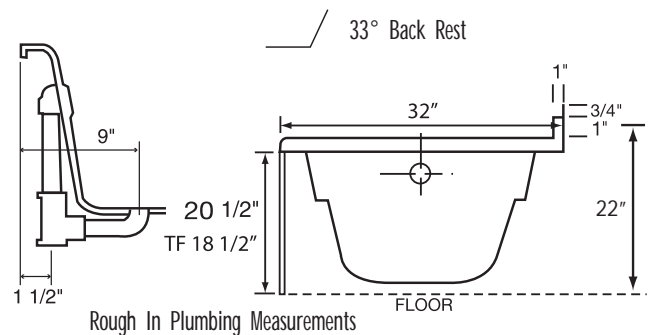
### Equipment Legend



### Electrical Specifications

	Silver	Gold	Platinum
<b>Pump Requirement</b>			
115V 15AMP w/GFCI	1		2
115V 20AMP w/GFCI		1	
<b>Inline Heater Requirement</b>			
115V 15AMP w/GFCI	optional	1	1
Gallons to Overflow	59 gal/204L		
Gallons to Operate	35 gal-54 gal		

NOTE: Specifications are  $\pm 1/4$ ", features and prices are subject to change without notice  
All final measurements should be taken from tub on site



### Features

	Silver Series	Gold Series	Platinum Series		Gold Series	Platinum Series	Series
<b>JETS</b>				<b>Aromatherapy Fragrance System</b>	\$195	\$195	\$195
Total number of jets	8	12	15	Fragrance Refills	\$16.95	\$16.95	\$16.95
Accu-Massage	N/A	6	9	<b>Hydrocleanse Whirlpool Sys Clnr</b>	\$19.95	\$19.95	\$19.95
Micro Flow	4	N/A	N/A	<b>GRAB BAR</b>			
Micro Massage (each)	\$40	\$40	N/A	Bolt on PB, PC, SN, WH, ALM, BISC	\$125ea	\$125ea	2-Incl.
Ultra Flow	4	6	4	Standard Grab Bars will be color coordinated to match whirlpool			
Ultra Massage (each)	\$50	\$50	\$50	<b>TILE FLANGE</b>	Incl.	Incl.	Incl.
Sole Soother Seven (N/A in Metallic)	N/A	N/A	2	<b>DRAIN KITS</b>			
Back Masseur System	N/A	Incl.	Incl.	Lift N Turn PB, PC, SN, WH, ALM, BISC, ORB	\$95	Incl.	N/A
Neck Masseur Pillow (incl 2 jets)	N/A	\$450	Incl.	Deluxe Cable Drain PB, PC, SN, WH, ALM, BISC, ORB	\$250	\$250	Incl.
Metallic Trim Kit PC, PB, SN, ORB	\$250	\$350	\$400	Standard drain colored to match whirlpool with ABS rough unless specified otherwise			
<b>PUMPS</b>				<b>LIGHTS</b>			
2.25 Hydro Power 1 speed	Incl.	N/A	N/A	Mood Light	\$195	\$195	Incl.
2.25 Hydro Power 3 speed	\$250	N/A	2-Incl.	Chromatherapy	\$395	\$395	\$395
3.25 Hydro Power 3 speed	N/A	Incl.	N/A	<b>PILLOW</b>			
Alternate Pump Location*	Incl.	Incl.	Incl.	Deluxe Oval	\$80	Incl.	N/A
Custom Pump Location(s)*	\$180	\$180	\$180ea	<b>STANDARD COLORS</b>			
<b>HEATER</b>				White Bone Almond Biscuit	Incl.	Incl.	Incl.
Heater Inline/Electric	\$395	Incl.	Incl.	Design Colors-refer to page 5	\$495	\$495	\$495
Hydro Clean Sanitation System	\$495	\$495	\$495	<b>EZ LEVEL QUIET BAR</b>	N/A	\$150	Incl.
<b>CONTROLS</b>				Alters deck height. Contact factory.			
Air Switch on/off	Incl.	Incl.	N/A	Rush order 72 hour manufacturing (contact factory)	\$495	\$495	\$495
Air Switch with Digital Temp Readout	N/A	N/A	Incl.	Shipping Boxes	\$90	\$90	\$90

# Mystique 5.5SKTF

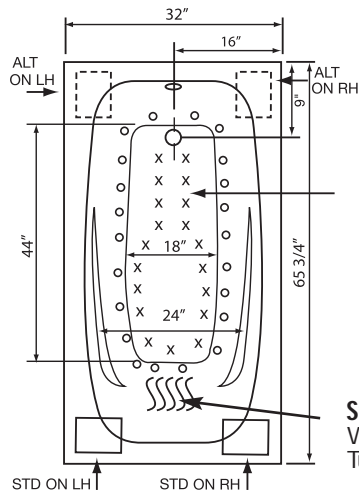
# Mystique 5.5TF

Skirt & Tile Flange (Access Panel with screws and caps)

Tile Flange

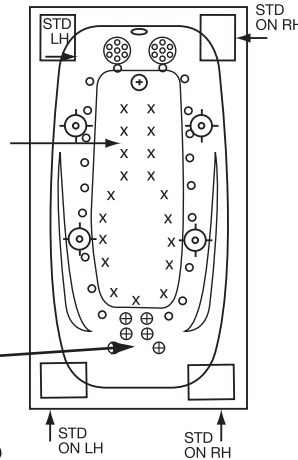
66" x 32" x 22"

<b>Air Massage Series \$3450</b>		<b>Combination Series \$5600</b>	
#MA6632RHSTF	#MA6632LHSTF	#MC6632RHSTF	#MC6632LHSTF
#MA6632RHFT	#MA6632LHFT	#MC6632RHFT	#MC6632LHFT



**Optional Deluxe in floor Air Massage jets**—provide muscle therapy directly to the legs and body.

**Standard Warm Air FDA Tubing Zone**



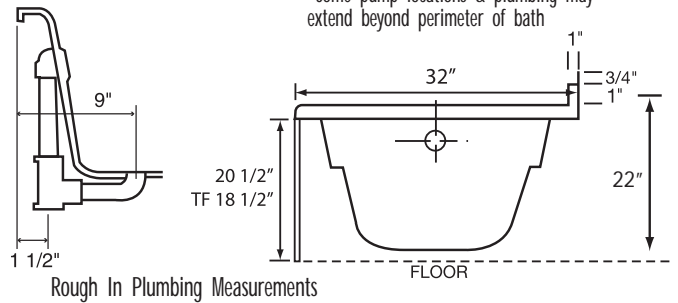
### Equipment Legend

- X Optional deluxe in floor air massage jets
  - Turbo Air Jet
  - ⊕ Accu-Massage
  - Micro Flow or Optional Micromassage
  - ⊙ Ultra Flow or Optional Ultra Massage
  - ⊙ Sole Soother
  - ⊕ Neck Masseur Pillow
  - Pump
  - Alt. Pump
- Heated FDA Tubing Zone
- SSSSS

### Electrical Specifications

	Air Massage	Combination
<b>Pump Requirement</b>		
115V 15AMP w/GFCI	1	1
115V 20AMP w/GFCI		1
<b>Inline Heater Requirement</b>		
115V 15AMP w/GFCI		1
Gallons to Overflow	59 gal/204L	
Gallons to Operate	35 gal/113L	

NOTE: Specifications are ± 1/4" and features are subject to change without notice. All final measurements should be taken from tub on site.



### Features

	Air Massage Series	Combination Series		Air Massage Series	Combination Series
<b>JETS</b>					
Total number of jets	18	30	<b>AROMATHERAPY FRAGRANCE SYSTEM</b>	\$195	\$195
Deluxe air systems	\$995	\$995	Fragrance Refills	\$16.95	\$16.95
Accu-Massage	N/A	6	<b>HYDROCLEANSE WHIRLPOOL SYS CLNER</b>	\$19.95	\$19.95
Micro Flow	N/A	N/A	<b>GRAB BAR</b>		
Micro Massage (each)	N/A	N/A	Bolt on PB, PC, SN, WH, ALM, BISC	\$125ea.	2-Incl.
Ultra Flow	N/A	4	Standard Grab Bars will be color coordinated to match whirlpool		
Ultra Massage (each)	N/A	\$50	<b>TILE FLANGE</b>	Incl.	Incl.
Sole Soother Seven (N/A in Metallic)	N/A	2-Incl.	<b>DRAIN KITS</b>		
Back Masseur System	N/A	Incl.	Lift N Turn PB, PC, SN, WH, ALM, BISC, ORB	Incl.	N/A
Neck Masseur Pillow (incl 2 jets)	N/A	\$350	Deluxe Cable Drain PB, PC, SN, WH, ALM, BISC, ORB	\$250	Incl.
Metallic Trim Kit PC, PB, SN, ORB	\$350	\$600	Standard drain colored to match whirlpool with ABS rough unless specified otherwise		
<b>PUMPS</b>					
1.25 AP variable speed	Incl.	Incl.	<b>LIGHTS</b>		
3.25 Hydro Power 3 speed	N/A	Incl.	Mood Light	\$195	Incl.
Custom Pump Location(s)*	\$180	\$180ea	Chromatherapy	\$395	\$395
<b>HEATER</b>					
Heater Inline/Electric	N/A	Incl.	<b>PILLOW</b>		
HydroClean Sanitation System	N/A	\$495	Deluxe Oval	Incl.	Incl.
<b>CONTROLS</b>					
Air Switch on/off water pump	N/A	Incl.	<b>STANDARD COLORS</b>		
Electronic variable speed	Incl.	Incl.	White Bone Almond Biscuit	Incl.	Incl.
			Special Colors-refer to page 5	\$495	\$495
			<b>EZ LEVEL QUIET BAR</b>	Incl.	Incl.
			Rush order 72 hour manufacturing (contact factory)	\$495	\$495
			Shipping Boxes	\$90	\$90