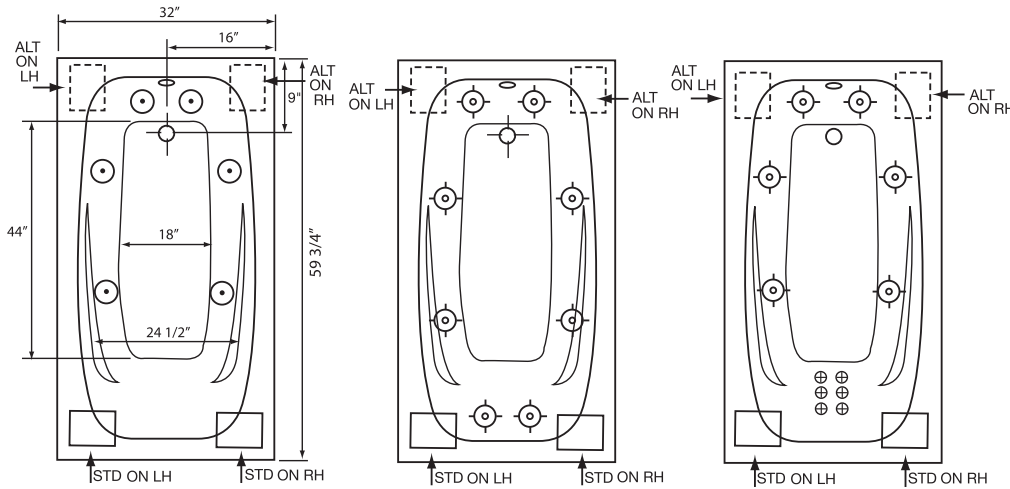


Mystique-5SKTF Skirt & Tile Flange (Recessed Access Panel)

Mystique-5TF Tile Flange

60" x 32" x 22"

Bronze Series \$1595		Silver Series \$1795		Gold Series \$2795		Soaking Tub \$950	
#MB6032RHSKTF	#MB6032LHSKTF	#MS6032RHSKTF	#MS6032LHSKTF	#MG6032RHSKTF	#MG6032LHSKTF	#MTO6032RHSKTF	#MTO6032LHSKTF
#MB6032RHTF	#MB6032LHTF	#MS6032RHTF	#MS6032LHTF	#MG6032RHTF	#MG6032LHTF	#MTO6032RHTF	#MTO6032LHTF



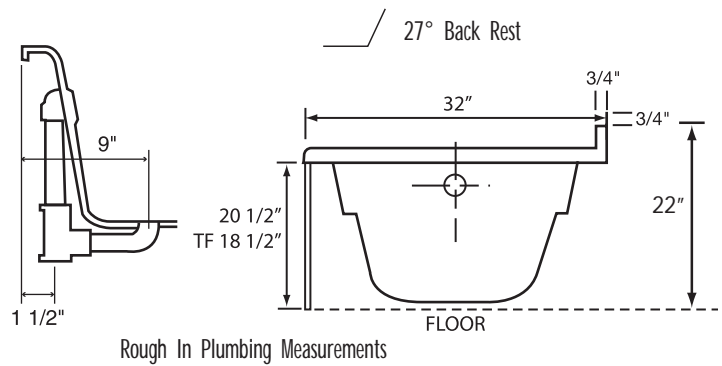
Equipment Legend

- Accu-Massage
- Micro Flow or Opt. Micromassage
- Ultra Flow or Optional Ultra Massage
- Sole Soother
- Neck Masseur Pillow
- Pump Alt. Pump
- Pump Access (18"x18" required)
*Some pump locations & plumbing may extend beyond perimeter of bath

Electrical Specifications

	Bronze	Silver	Gold
Pump Requirement			
115V 15AMP w/GFCI	1	1	
115V 20AMP w/GFCI			1
Inline Heater Requirement			
115V 15AMP w/GFCI	optional	optional	1
Gallons to Overflow	54 gal/204L		
Gallons to Operate	30-54 gal		

NOTE: Specifications are $\pm 1/4"$, features and prices are subject to change without notice
All final measurements should be taken from tub on site



Features

	Bronze Series	Silver Series	Gold Series		Bronze Series	Silver Series	Gold Series
JETS				Aromatherapy Fragrance System			
Total number of jets	6	8	12	Fragrance Refills	\$195	\$195	\$195
Accu-Massage	N/A	N/A	6	Hydrocleanse Whirlpool Sys Clnr	\$16.95	\$16.95	\$16.95
Micro Flow	6	4	N/A	GRAB BAR	\$19.95	\$19.95	\$19.95
Micro Massage (each)	\$40	\$40	\$40	Bolt on PB, PC, SN, WH, ALM, BISC	\$125ea.	\$125ea.	\$125ea.
Ultra Flow	N/A	4	6	Standard Grab Bars will be color coordinated to match whirlpool			
Ultra Massage (each)	N/A	\$50	\$50	TILE FLANGE	Incl.	Incl.	Incl.
Sole Soother Seven (N/A in Metallic)	N/A	N/A	N/A	SKIRT WITH ACCESS	Incl.	Incl.	Incl.
Back Masseur System	N/A	N/A	Incl.	DRAIN KITS			
Neck Masseur Pillow (incl 2 jets)	N/A	N/A	\$325	Lift N Turn PB, PC, SN, WH, ALM, BISC, ORB	\$95	\$95	Incl.
Metallic Trim Kit PC, PB, SN	\$250	\$250	\$350	Deluxe Cable Drain PB, PC, SN, WH, ALM, BISC, ORB	\$250	\$250	\$250
PUMPS				Standard drain colored to match whirlpool with ABS rough unless specified otherwise			
1.25 Hydro Power 1 speed	Incl.	N/A	N/A	LIGHTS			
2.25 Hydro Power 1 speed	N/A	Incl.	N/A	Mood Light	\$195	\$195	\$195
2.25 Hydro Power 3 speed	\$250	\$250	N/A	Chromatherapy	\$395	\$395	\$395
3.25 Hydro Power 3 speed	\$350	N/A	Incl.	PILLOW			
HEATER				Deluxe Oval			
Heater Inline/Electric	\$395	\$395	Incl.		\$80	\$80	Incl.
Hydro Clean Sanitation System	\$495	\$495	\$495	STANDARD COLORS			
CONTROLS				White Bone Almond Biscuit			
Air Switch on/off	Incl.	Incl.	Incl.	Design Colors-refer to page 5	\$495	\$495	\$495
				EZ LEVEL BARS			
				Rush order 72 hour manufacturing (contact factory)			
				Shipping Boxes			
					\$150	\$150	\$150
					\$495	\$495	\$495
					\$90	\$90	\$90

Mystique-5SKTF Skirt & Tile Flange (Recessed Access Panel)

Mystique-5TF Tile Flange

60" x 32" x 22"

Platinum Series \$5295

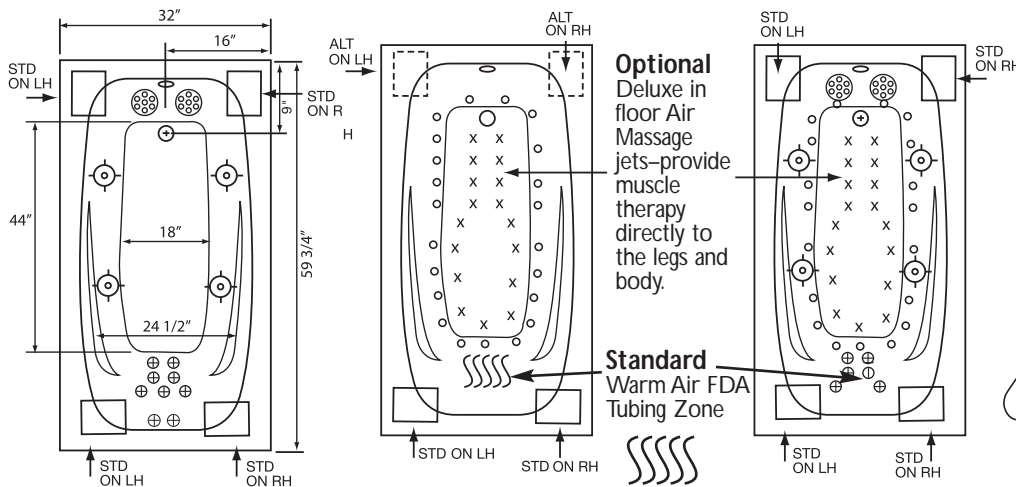
#MP6032RHSKTF #MP6032LHSKTF
#MP6032RHTF #MP6032LHTF

Air Massage Series \$3195

#MA6032RHSKTF #MA6032LHSKTF
#MA6032RHTF #MA6032LHTF

Combination Series \$5600

#MC6032RHSKTF #MC6032LHSKTF
#MC6032RHTF #MC6032LHTF



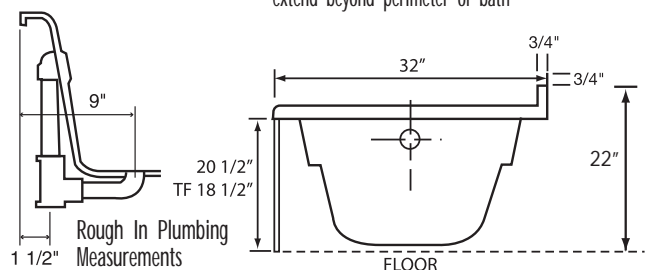
Equipment Legend

- X Optional deluxe in floor air massage jets
 - Turbo Air Jet
 - ⊕ Accu-Massage
 - Micro Flow or Optional Micromassage
 - ⊙ Ultra Flow or Optional Ultra Massage
 - ⊗ Sole Soother
 - ⊕ Neck Masseur Pillow
 - Pump
 - Alt. Pump
- Heated FDA Tubing Zone
- ~~~~~

Electrical Specifications

	Platinum	Air Massage	Combination
Pump Requirement			
115V 15AMP w/GFCI	2	1	1
115V 20AMP w/GFCI			1
Inline Heater Requirement			
115V 15AMP w/GFCI	1		1
Gallons to Overflow	54 gal/204L		
Gallons to Operate	30-54 gal		

NOTE: Specifications are $\pm 1/4"$ and features are subject to change without notice
All final measurements should be taken from tub on site



Features

	Platinum Series	Air Massage Series	Combination Series	Platinum Series	Air Massage Series	Combination Series
JETS						
Total number of jets	15	18	30			
Deluxe air systems	N/A	\$995	\$995			
Accu-Massage	9	N/A	6			
Micro Flow	N/A	N/A	N/A			
Micro Massage (each)	N/A	N/A	N/A			
Ultra Flow	4	N/A	4			
Ultra Massage (each)	\$50	N/A	\$50			
Sole Soother Seven (N/A in Metallic)	2	N/A	2			
Back Masseur System	Incl.	N/A	Incl.			
Neck Jets	Incl.	N/A	\$325			
Metallic Trim Kit PC, PB, SN, ORB	\$400	\$350	\$600			
PUMPS						
1.25 AP variable speed	N/A	Incl.	Incl.			
2.25 Hydro Power 3 speed	2-Incl.	N/A	N/A			
3.25 Hydro Power 3 speed	N/A	N/A	Incl.			
HEATER						
Heater Inline/Electric	Incl.	N/A	Incl.			
HydroClean Sanitation System	\$495	N/A	\$495			
CONTROLS						
Air Switch on/off water pump	N/A	N/A	Incl.			
Electronic variable speed	Incl.	Incl.	Incl.			
AROMATHERAPY FRAGRANCE SYSTEM						
Fragrance Refills				\$195	\$195	\$195
				\$16.95	\$16.95	\$16.95
HYDROCLEANSE WHIRLPOOL SYS CLNER				\$19.95	\$19.95	\$19.95
GRAB BAR						
Bolt on PB, PC, SN, WH, ALM, BISC	2-Incl.	\$125 ea.	2-Incl.			
Standard Grab Bars will be color coordinated to match whirlpool						
DRAIN KITS						
Lift N Turn PB, PC, SN, WH, ALM, BISC, ORB	N/A	Incl.	N/A			
Deluxe Cable Drain PB, PC, SN, WH, ALM, BISC, ORB	Incl.	\$250	Incl.			
Standard drain colored to match whirlpool with ABS rough unless specified otherwise						
LIGHTS						
Mood Light	Incl.	\$195	Incl.			
Chromatherapy	\$395	\$395	\$395			
PILLOW						
Deluxe Oval	N/A	Incl.	Incl.			
STANDARD COLORS						
White Bone Almond Biscuit	Incl.	Incl.	Incl.			
Design Colors-refer to page 5	\$495	\$495	\$495			
EZ LEVEL BAR						
Rush order 72 hour manufacturing (contact factory)	Incl.	\$150	Incl.	\$495	\$495	\$495
Shipping Boxes	\$90	\$90	\$90			