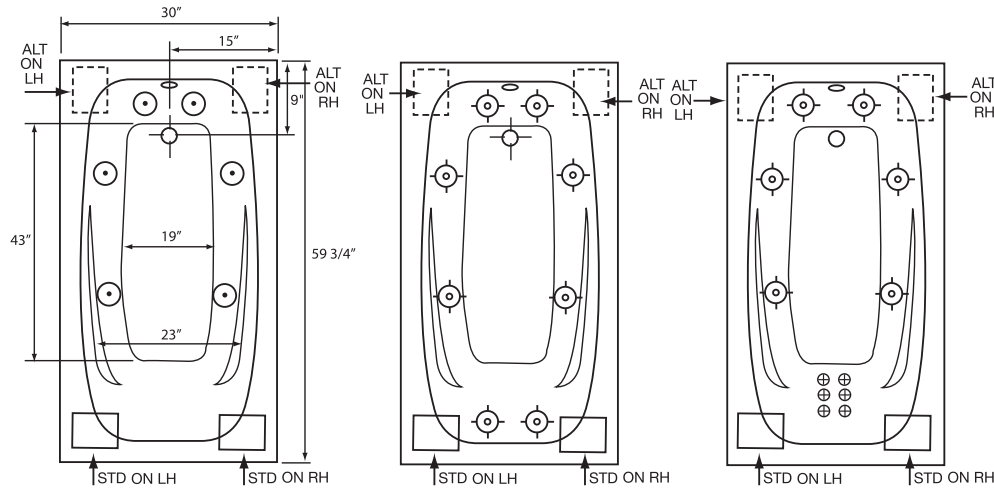


Mystique Jr. SKTF Skirt & Tile Flange (Access Panel with Screws & Caps)

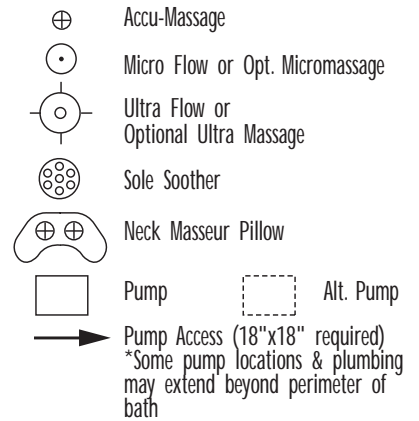
Mystique-Jr. TF Tile Flange

60" x 30" x 20"

Bronze Series \$1795		Silver Series \$2095		Gold Series \$2995		Soaking Tub \$995	
#MB6030RHSKTF	#MB6030LHSKTF	#MS6030RHSKTF	#MS6030LHSKTF	#MG6030RHSKTF	#MG6030LHSKTF	#MT06030RHSKTF	#MT06030LHSKTF
#MB6030RHTF	#MB6030LHTF	#MS6030RHTF	#MS6030LHTF	#MG6030RHTF	#MG6030LHTF	#MT06030RHTF	#MT06030LHTF



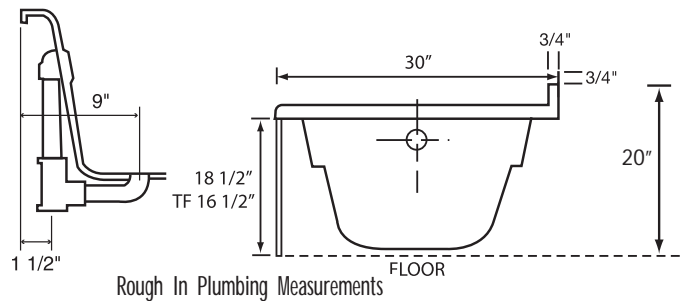
Equipment Legend



Electrical Specifications

	Bronze	Silver	Gold
Pump Requirement			
115V 15AMP w/GFCI	1		1
115V 20AMP w/GFCI		1	
Inline Heater Requirement			
115V 15AMP w/GFCI	optional	1	1
Gallons to Overflow	54 gal/204L		
Gallons to Operate	30-54 gal		

NOTE: Specifications are $\pm 1/4"$, features and prices are subject to change without notice. All final measurements should be taken from tub on site.



Features

	Bronze Series	Silver Series	Gold Series		Bronze Series	Silver Series	Gold Series
JETS							
Total number of jets	6	8	12	Aromatherapy Fragrance System	\$195	\$195	\$195
Accu-Massage	N/A	N/A	6	Fragrance Refills	\$16.95	\$16.95	\$16.95
Micro Flow	6	4	N/A	Hydrocleanse Whirlpool Sys Clnr	\$19.95	\$19.95	\$19.95
Micro Massage (each)	\$40	\$40	N/A	GRAB BAR			
Ultra Flow	N/A	4	6	Bolt on PB, PC, SN, WH, ALM, BISC	\$125ea.	\$125ea.	\$125ea.
Ultra Massage (each)	N/A	\$50	\$50	Standard Grab Bars will be color coordinated to match whirlpool			
Sole Soother Seven (N/A in Metallic)	N/A	N/A	N/A	DRAIN KITS			
Back Masseur System	N/A	N/A	Incl.	Lift N Turn PB, PC, SN, WH, ALM, BISC, ORB	\$95	\$95	Incl.
Neck Masseur Pillow (incl 2 jets)	N/A	N/A	\$325	Deluxe Cable Drain PB, PC, SN, WH, ALM, BISC, ORB	\$250	\$250	\$250
Metallic Trim Kit PC, PB, SN, ORB	\$250	\$250	\$350	Standard drain colored to match whirlpool with ABS rough unless specified otherwise			
PUMPS				LIGHTS			
1.25 Hydro Power 1 speed	Incl.	Incl.	N/A	Mood Light	\$195	\$195	\$195
2.25 Hydro Power 3 speed	\$250	\$250	N/A	Chromatherapy	\$395	\$395	\$395
3.25 Hydro Power 3 speed	\$350	N/A	Incl.	PILLOW			
HEATER				Deluxe Oval	\$80	\$80	Incl.
Heater Inline/Electric	\$395	\$395	Incl.	STANDARD COLORS			
Hydro Clean Sanitation System	\$495	\$495	\$495	White Bone Almond Biscuit	Incl.	Incl.	Incl.
CONTROLS				Design Colors-refer to page 5	\$495	\$495	\$495
Air Switch on/off	Incl.	Incl.	Incl.	EZ LEVEL BAR	\$150	\$150	\$150
				Rush order 72 hour manufacturing (contact factory)	\$495	\$495	\$495
				Shipping Boxes	\$90	\$90	\$90

Mystique Jr. SKTF Skirt & Tile Flange (Access Panel with Screws & Caps)

Mystique-Jr. TF Tile Flange

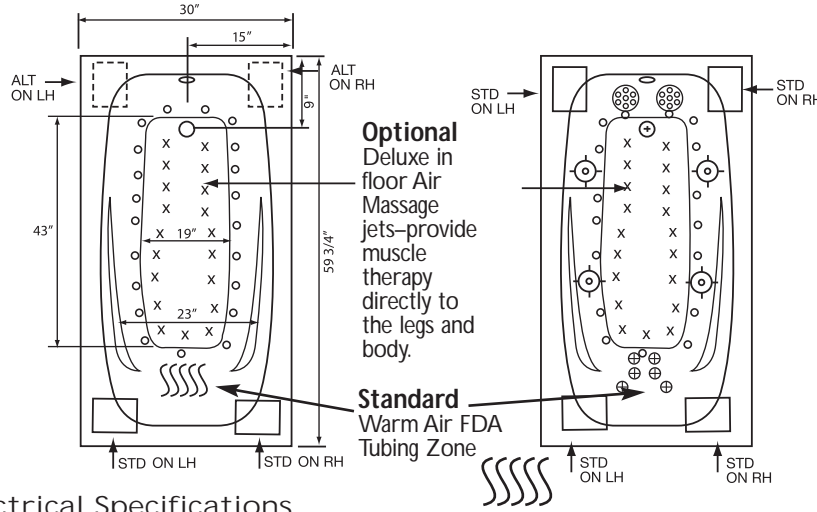
60" x 30" x 20"

Air Massage Series \$3150

#MA6030RHSKTF #MA6030LHSKTF
#MA6030RHTF #MA6030LHTF

Combination Series \$5600

#MC6030RHSKTF #MC6030LHSKTF
#MC6030RHTF #MC6030LHTF



Optional Deluxe in floor Air Massage jets—provide muscle therapy directly to the legs and body.

Standard Warm Air FDA Tubing Zone

Equipment Legend

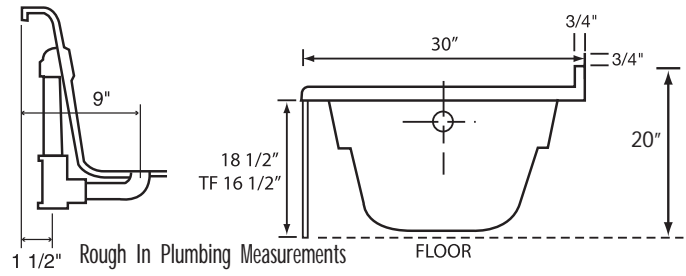
- X Optional deluxe in floor air massage jets
- Turbo Air Jet
- ⊕ Accu-Massage
- Micro Flow or Optional Micromassage
- ⊙ Ultra Flow or Optional Ultra Massage
- ⊙ Sole Soother
- ⊕ Neck Masseur Pillow
- Pump
- ⊖ Alt. Pump
- Heated FDA Tubing Zone

Pump Access (18"x18" required)
*Some pump locations & plumbing may extend beyond perimeter of bath

Electrical Specifications

	Air Massage	Combination
Pump Requirement		
115V 15AMP w/GFCI	1	1
115V 20AMP w/GFCI		1
Inline Heater Requirement		
115V 15AMP w/GFCI		1
Gallons to Overflow	54 gal/204L	
Gallons to Operate	30-54 gal	

NOTE: Specifications are ± 1/4" and features are subject to change without notice
All final measurements should be taken from tub on site



Features

	Air Massage Series	Combination Series	Air Massage Series	Combination Series
JETS				
Total number of jets	18	30		
Deluxe air systems	\$995	\$995		
Accu-Massage	N/A	6		
Micro Flow	N/A	2-Incl.		
Micro Massage (each)	N/A	N/A		
Ultra Flow	N/A	4		
Ultra Massage (each)	N/A	\$50		
Sole Soother Seven (N/A in Metallic)	N/A	N/A		
Back Masseur System	N/A	Incl.		
Neck Jets	N/A	\$325		
Metallic Trim Kit PC, PB, SN, ORB	\$350	\$600		
PUMPS				
1.25 AP variable speed	Incl.	Incl.		
3.25 Hydro Power 3 speed	N/A	Incl.		
HEATER				
Heater Inline/Electric	N/A	Incl.		
HydroClean Sanitation System	N/A	\$495		
CONTROLS				
Air Switch on/off water pump	N/A	Incl.		
Electronic variable speed	Incl.	Incl.		
AROMATHERAPY FRAGRANCE SYSTEM			\$195	\$195
Fragrance Refills			\$16.95	\$16.95
HYDROCLEANSE WHIRLPOOL SYS CLNER			\$19.95	\$19.95
GRAB BAR				
Bolt on PB, PC, SN, WH, ALM, BISC			\$125ea.	2-INCL.
Standard Grab Bars will be color coordinated to match whirlpool				
DRAIN KITS				
Lift N Turn PB, PC, SN, WH, ALM, BISC, ORB			Incl.	N/A
Deluxe Cable Drain PB, PC, SN, WH, ALM, BISC, ORB			\$250	Incl.
Standard drain colored to match whirlpool with ABS rough unless specified otherwise				
LIGHTS				
Mood Light			\$195	Incl.
Chromatherapy			\$395	\$395
PILLOW				
Deluxe Oval			Incl.	Incl.
STANDARD COLORS				
White Bone Almond Biscuit			Incl.	Incl.
Design Colors—refer to page 5			\$495	\$495
EZ LEVEL QUIET BAR			Incl.	Incl.
Rush order 72 hour manufacturing (contact factory)			\$495	\$495
Shipping Boxes			\$90	\$90