

# Paradise 5

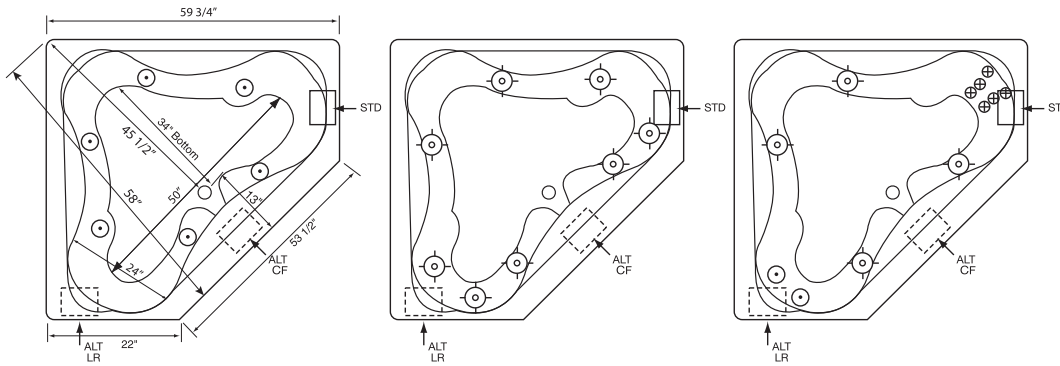
60" x 60" x 25"

**Bronze Series \$1995**  
#P5B6060

**Silver Series \$2250**  
#P5S6060

**Gold Series \$3150**  
#P5G6060

**Soaking Tub \$1295**  
#P5TO6060



\* measurements drawn from corner

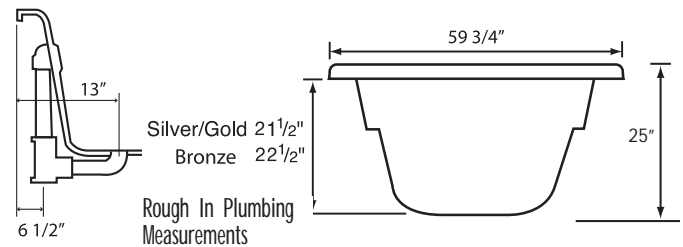
## Equipment Legend

- Accu-Massage
- Micro Flow or Opt. Micromassage
- Ultra Flow or Optional Ultra Massage
- Sole Soother
- Neck Masseur Pillow
- Pump Alt. Pump
- Pump Access (18"x18" required)  
\*Some pump locations & plumbing may extend beyond perimeter of bath
- 24° Back Rest

## Electrical Specifications

	Bronze	Silver	Gold
<b>Pump Requirement</b>			
115V 15AMP w/GFCI	1	1	
115V 20AMP w/GFCI			1
<b>Inline Heater Requirement</b>			
115V 15AMP w/GFCI	optional	optional	1
Gallons to Overflow	90 gal/340L		
Gallons to Operate	60 gal-90 gal		

NOTE: Specifications are  $\pm 1/4"$ , features and prices are subject to change without notice  
All final measurements should be taken from tub on site



## Features

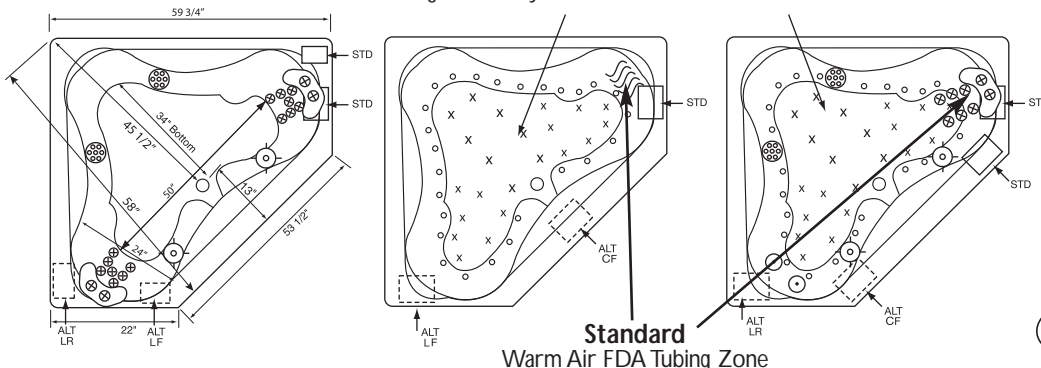
	Bronze Series	Silver Series	Gold Series		Bronze Series	Silver Series	Gold Series
<b>JETS</b>							
Total number of jets	6	8	12	<b>Aromatherapy Fragrance System</b>	\$195	\$195	\$195
Accu-Massage	N/A	N/A	6	Fragrance Refills	\$16.95	\$16.95	\$16.95
Micro Flow	6	N/A	N/A	<b>Hydrocleanse Whirlpool Sys Clnr</b>	\$19.95	\$19.95	\$19.95
Micro Massage (each)	\$40	\$40	\$40	<b>GRAB BAR</b>			
Ultra Flow	N/A	4	6	Bolt on PB, PC, SN, WH, ALM, BISC	\$125ea.	\$125ea	\$125ea
Ultra Massage (each)	N/A	\$50	\$50	Standard Grab Bars will be color coordinated to match whirlpool			
Sole Soother Seven (N/A in Metallic)	N/A	N/A	N/A	<b>DRAIN KITS</b>			
Back Masseur System	N/A	N/A	Incl.	Lift N Turn PB, PC, SN, WH, ALM, BISC, ORB	\$95	\$95	Incl.
Neck Masseur Pillow (incl 2 jets)	N/A	N/A	\$450	Deluxe Cable Drain PB, PC, SN, WH, ALM, BISC, ORB	\$250	\$250	\$250
Metallic Trim Kit PC, PB, SN, ORB	\$250	\$250	\$350	Standard drain colored to match whirlpool with ABS rough unless specified otherwise			
				<b>TILE FLANGE</b>	\$175	\$175	\$175
				<b>LIGHTS</b>			
				Mood Light	\$195	\$195	\$195
				Chromatherapy	\$395	\$395	\$395
				<b>PILLOW</b>			
				Deluxe Oval	\$80	\$80	Incl.
				<b>STANDARD COLORS</b>			
				White Bone Almond Biscuit	Incl.	Incl.	Incl.
				Design Colors-refer to page 5	\$495	\$495	\$495
				<b>EZ LEVEL QUIET BASE</b>	N/A	\$300	\$300
				Alters deck height. Contact factory.			
				<b>EZ LEVEL BARS</b>	\$150	\$150	\$150
				Rush order 72 hour manufacturing (contact factory)	\$495	\$495	\$495
				Shipping Boxes	\$90	\$90	\$90

# Paradise 5

60" x 60" x 25"

**Platinum Series \$5350 #P5P6060**    **Air Massage Series \$3395 #P5A6060**    **Combination Series \$5695 #P5C6060**

**Optional**  
Deluxe in floor Air Massage jets—provide muscle therapy directly to the legs and body.



## Equipment Legend

- X Optional deluxe in floor air massage jets
  - Turbo Air Jet
  - ⊕ Accu-Massage
  - Micro Flow or Optional Micromassage
  - ⊙ Ultra Flow or Optional Ultra Massage
  - ⊗ Sole Soother
  - ⊕ Neck Masseur Pillow
  - Pump
  - ▭ Alt. Pump
- Heated FDA Tubing Zone
- SSSSS

## Electrical Specifications

### Pump Requirement

	Platinum	Air Massage	Combination
115V 15AMP w/GFCI		1	1
115V 20AMP w/GFCI	2		1

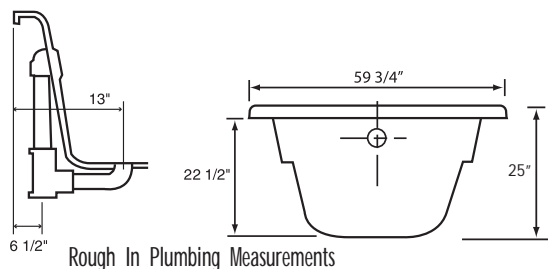
### Inline Heater Requirement

	Platinum	Air Massage	Combination
115V 15AMP w/GFCI	1		1

Gallons to Overflow	90 gal/340L
Gallons to Operate	60 gal-90 gal

NOTE: Specifications are ± 1/4" and features are subject to change without notice  
All final measurements should be taken from tub on site

SSSSS  
Pump Access (18"x18" required)  
\*Some pump locations & plumbing may extend beyond perimeter of bath



## Features

	Platinum Series	Air Massage Series	Combination Series	Platinum Series	Air Massage Series	Combination Series
<b>JETS</b>						
Total number of jets	22	23	35			
Deluxe air systems	N/A	\$995	\$995			
Accu-Massage	18	N/A	8			
Micro Flow	N/A	N/A	2			
Micro Massage (each)	N/A	N/A	\$40			
Ultra Flow	2	N/A	2			
Ultra Massage (each)	\$50	N/A	\$50			
Sole Soother Seven (N/A in Metallic)	2	N/A	2			
Back Masseur System	2-Incl.	N/A	Incl.			
Neck Masseur Pillow (incl 2 jets)	2-Incl.	N/A	Incl.			
Metallic Trim Kit PC, PB, SN, ORB	\$400	\$350	\$600			
<b>PUMPS</b>						
1.25 AP variable speed	N/A	Incl.	Incl.			
3.25 Hydro Power 3 speed	2 Incl.	N/A	Incl.			
Pump Location/Alternate*	Incl.	Incl.	Incl.			
Custom Pump Location(s)*	\$180	\$180	\$180ea			
<b>HEATER</b>						
Heater Inline/Electric	Incl.	N/A	Incl.			
HydroClean Sanitation System	\$495	N/A	\$495			
<b>CONTROLS</b>						
Air Switch on/off water pump	N/A	N/A	Incl.			
Electronic variable speed	Incl.	Incl.	Incl.			
<b>AROMATHERAPY FRAGRANCE SYSTEM</b>						
Fragrance Refills				\$195	\$195	\$195
				\$16.95	\$16.95	\$16.95
<b>HYDROCLEANSE WHIRLPOOL SYS CLNER</b>						
				\$19.95	\$19.95	\$19.95
<b>GRAB BAR</b>						
Bolt on PB, PC, SN, WH, ALM, BISC	2-Incl.	\$125ea	2-Incl.			
Standard Grab Bars will be color coordinated to match whirlpool						
<b>TILE FLANGE</b>						
	\$175	\$175	\$175			
<b>DRAIN KITS</b>						
Lift N Turn PB, PC, SN, WH, ALM, BISC, ORB	N/A	Incl.	N/A			
Deluxe Cable Drain PB, PC, SN, WH, ALM, BISC, ORB	Incl.	\$250	Incl.			
Standard drain colored to match whirlpool with ABS rough unless specified otherwise						
<b>LIGHTS</b>						
Mood Light	Incl.	\$195	Incl.			
Chromatherapy	\$395	\$395	\$395			
<b>PILLOW</b>						
Deluxe Oval	N/A	Incl.	Incl.			
<b>STANDARD COLORS</b>						
White Bone Almond Biscuit	Incl.	Incl.	Incl.			
Special Colors-refer to page 5	\$495	\$495	\$495			
<b>EZ LEVEL QUIET BASE</b>						
Rush order 72 hour manufacturing (contact factory)	Incl.	Incl.	Incl.	\$495	\$495	\$495
Shipping Boxes	\$90	\$90	\$90			