

Retreat

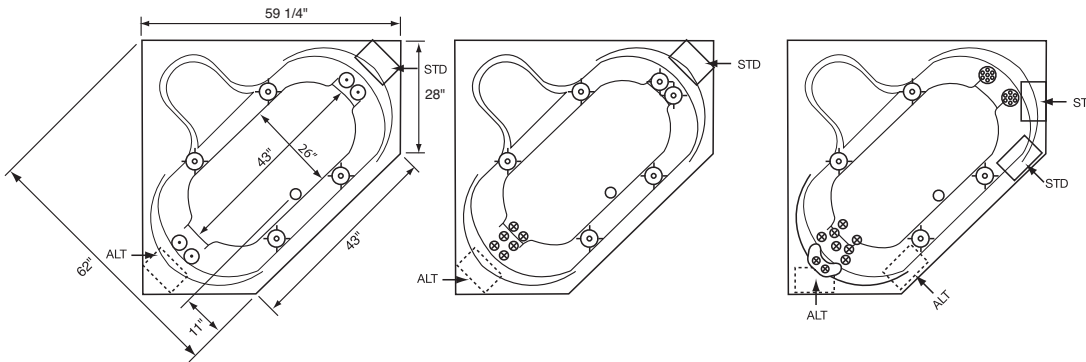
60" x 60" x 25"

Silver Series \$2250
#RS6060

Gold Series \$3150
#RG6060

Platinum Series \$5350
#RP6060

Soaking Tub \$1295
#RTO6060



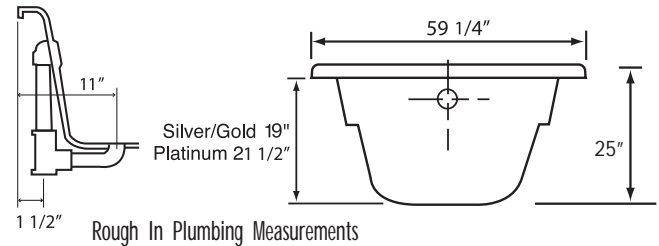
Equipment Legend

- Accu-Massage
- Micro Flow or Opt. Micromassage
- Ultra Flow or Optional Ultra Massage
- Sole Soother
- Neck Masseur Pillow
- Pump Alt. Pump
- Pump Access (18"x18" required)
*Some pump locations & plumbing may extend beyond perimeter of bath
- 22° Back Rest

Electrical Specifications

	Silver	Gold	Platinum
Pump Requirement			
115V 15AMP w/GFCI	1		2
115V 20AMP w/GFCI		1	
Inline Heater Requirement			
115V 15AMP w/GFCI	optional	1	1
Gallons to Overflow	62 gal		
Gallons to Operate	50 gal-62 gal		

NOTE: Specifications are $\pm 1/4"$, features and prices are subject to change without notice
All final measurements should be taken from tub on site



Features

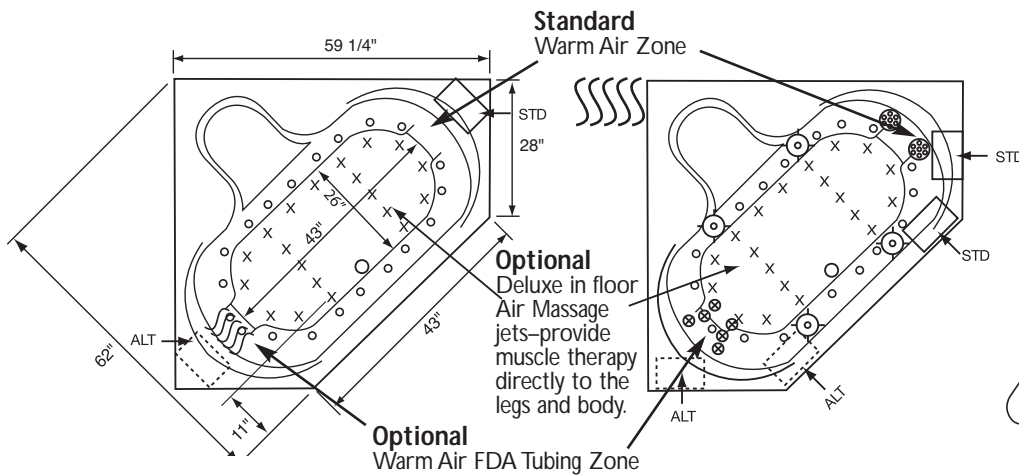
	Silver Series	Gold Series	Platinum Series	Silver Series	Gold Series	Platinum Series
JETS						
Total number of jets	8	12	15			
Accu-Massage	N/A	6	9			
Micro Flow	4	N/A	N/A			
Micro Massage (each)	\$40	\$40	N/A			
Ultra Flow	4	6	4			
Ultra Massage (each)	\$50	\$50	\$50			
Sole Soother Seven (N/A in Metallic)	N/A	N/A	2			
Back Masseur System	N/A	Incl.	Incl.			
Neck Masseur Pillow (incl 2 jets)	N/A	\$450	Incl.			
Metallic Trim Kit PC, PB, SN, ORB	\$250	\$350	\$400			
PUMPS						
2.25 Hydro Power 1 speed	Incl.	N/A	N/A			
2.25 Hydro Power 3 speed	\$250	N/A	2 Incl.			
3.25 Hydro Power 3 speed	N/A	Incl.	N/A			
Alternate Pump Location*	Incl.	Incl.	Incl.			
Custom Pump Location(s)*	\$180	\$180	\$180ea			
HEATER						
Heater Inline/Electric	\$395	Incl.	Incl.			
Hydro Clean Sanitation System	\$495	\$495	\$495			
CONTROLS						
Air Switch on/off	Incl.	Incl.	N/A			
Aromatherapy Fragrance System				\$195	\$195	\$195
Fragrance Refills				\$16.95	\$16.95	\$16.95
Hydrocleanse Whirlpool Sys Clnr				\$19.95	\$19.95	\$19.95
GRAB BAR						
Bolt on PB, PC, SN, WH, ALM, BISC				\$125ea	\$125ea	1-Incl.
Standard Grab Bars will be color coordinated to match whirlpool						
TILE FLANGE				\$175	\$175	\$175
DRAIN KITS						
Lift N Turn PB, PC, SN, WH, ALM, BISC, ORB				\$95	Incl.	N/A
Deluxe Cable Drain PB, PC, SN, WH, ALM, BISC, ORB				\$250	\$250	Incl.
Standard drain colored to match whirlpool with ABS rough unless specified otherwise						
LIGHTS						
Mood Light				\$195	\$195	Incl.
Chromatherapy				\$395	\$395	\$395
PILLOW						
Deluxe Oval				\$80	Incl.	Incl.
STANDARD COLORS						
White Bone Almond Biscuit				Incl.	Incl.	Incl.
Design Colors-refer to page 5				\$495	\$495	\$495
EZ LEVEL QUIET BASE				N/A	\$300	Incl.
Alters deck height. Contact factory.						
EZ LEVEL BARS				\$150	\$150	N/A
Rush order 72 hour manufacturing (contact factory)				\$495	\$495	\$495
Shipping Boxes				\$90	\$90	\$90

Retreat

60" x 60" x 25"

Air Massage Series \$3395
#RA6060

Combination Series \$5695
#RC6060



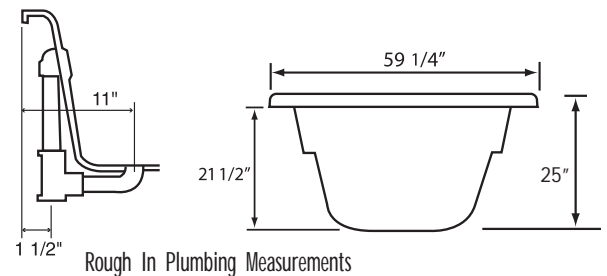
Equipment Legend

- X Optional deluxe in floor air massage jets
 - Turbo Air Jet
 - ⊕ Accu-Massage
 - Micro Flow or Optional Micromassage
 - ⊙ Ultra Flow or Optional Ultra Massage
 - ⊙ Sole Soother
 - ⊕ Neck Masseur Pillow
 - Pump
 - Alt. Pump
 - Pump Access (18"x18" required)
*Some pump locations & plumbing may extend beyond perimeter of bath
- Heated FDA Tubing Zone

Electrical Specifications

	Air Massage	Combination
Pump Requirement		
115V 15AMP w/GFCI	1	1
115V 20AMP w/GFCI		1
Inline Heater Requirement		
115V 15AMP w/GFCI		1
Gallons to Overflow	62 gal	
Gallons to Operate	50-62 gal	

NOTE: Specifications are ± 1/4" and features are subject to change without notice
All final measurements should be taken from tub on site



Features

	Air Massage Series	Combination Series		Air Massage Series	Combination Series
JETS					
Total number of jets	20	32			
Deluxe air systems	\$995	\$995			
Accu-Massage	N/A	6			
Micro Flow	N/A	N/A			
Micro Massage (each)	N/A	N/A			
Ultra Flow	N/A	4			
Ultra Massage (each)	N/A	\$50			
Sole Soother Seven (N/A in Metallic)	N/A	2			
Back Masseur System	N/A	Incl.			
Neck Masseur Pillow (incl 2 jets)	N/A	\$450			
Metallic Trim Kit PC, PB, SN, ORB	\$350	\$600			
PUMPS					
1.25 AP variable speed	Incl.	Incl.			
3.25 Hydro Power 3 speed	N/A	Incl.			
Pump Location/Alternate*	Incl.	Incl.			
Custom Pump Location(s)*	\$180	\$180ea			
HEATER					
Heater Inline/Electric	N/A	Incl.			
HydroClean Sanitation System	N/A	\$495			
CONTROLS					
Air Switch on/off water pump	N/A	Incl.			
Electronic variable speed	Incl.	Incl.			
			AROMATHERAPY FRAGRANCE SYSTEM	\$195	\$195
			Fragrance Refills	\$16.95	\$16.95
			HYDROCLEANSE WHIRLPOOL SYS CLNER	\$19.95	\$19.95
			GRAB BAR		
			Bolt on PB, PC, SN, WH, ALM, BISC	\$125 ea.	1-Incl.
			Standard Grab Bars will be color coordinated to match whirlpool		
			DRAIN KITS		
			Lift N Turn PB, PC, SN, WH, ALM, BISC, ORB	Incl.	N/A
			Deluxe Cable Drain PB, PC, SN, WH, ALM, BISC, ORB	\$250	Incl.
			Standard drain colored to match whirlpool with ABS rough unless specified otherwise		
			TILE FLANGE	\$175	\$175
			LIGHTS		
			Mood Light	\$195	Incl.
			Chromatherapy	\$395	\$395
			PILLOW		
			Deluxe Oval	Incl.	Incl.
			STANDARD COLORS		
			White Bone Almond Biscuit	Incl.	Incl.
			Special Colors-refer to page 5	\$495	\$495
			EZ LEVEL QUIET BASE	Incl.	Incl.
			Rush order 72 hour manufacturing (contact factory)	\$495	\$495
			Shipping Boxes	\$90	\$90