

# Serenity 5.5

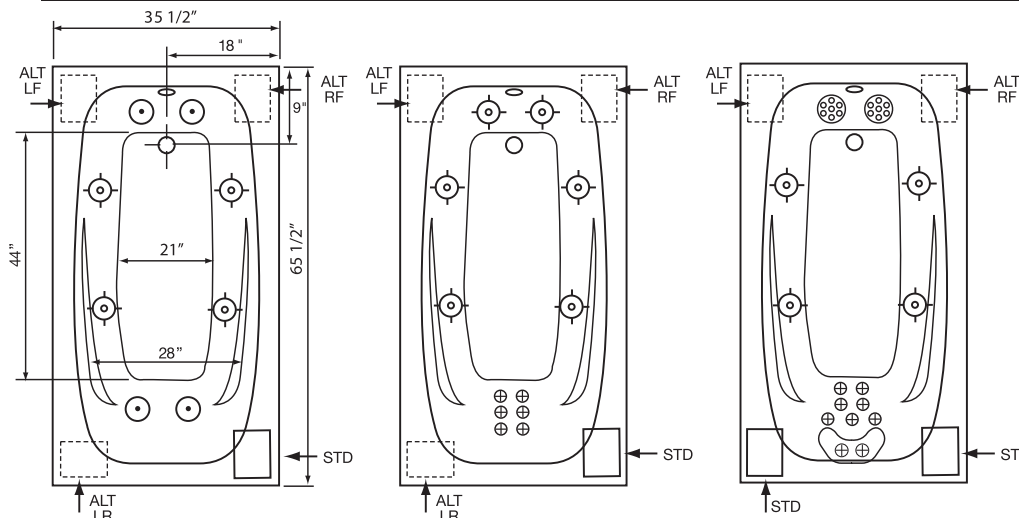
66" x 36" x 22"

**Silver Series \$1995**  
#SS6636

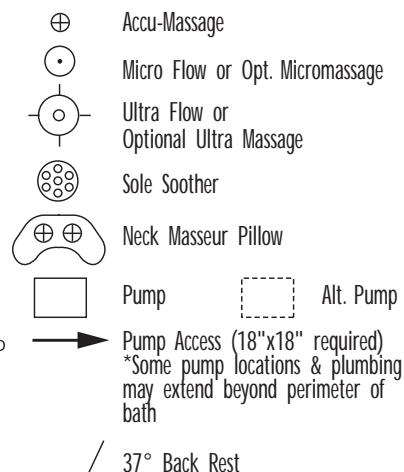
**Gold Series \$2995**  
#SG6636

**Platinum Series \$5350**  
#SP6636

**Soaking Tub \$1050**  
#STO6636



## Equipment Legend



## Electrical Specifications

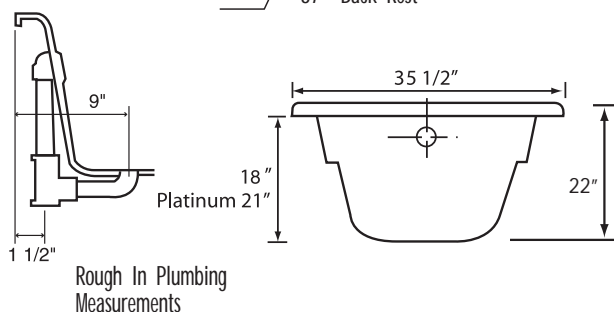
### Pump Requirement

	Silver	Gold	Platinum
115V 15AMP w/GFCI	1		2
115V 20AMP w/GFCI		1	

### Inline Heater Requirement

	Silver	Gold	Platinum
115V 15AMP w/GFCI	optional	1	1
Gallons to Overflow	54 gal/204L		
Gallons to Operate	30-54 gal		

NOTE: Specifications are  $\pm 1/4"$ , features and prices are subject to change without notice  
All final measurements should be taken from tub on site



## Features

	Silver Series	Gold Series	Platinum Series		Silver Series	Gold Series	Platinum Series
<b>JETS</b>				<b>Aromatherapy Fragrance System</b>			
Total number of jets	8	12	15	Fragrance Refills	\$195	\$195	\$195
Accu-Massage	N/A	6	9	<b>Hydrocleanse Whirlpool Sys Clnr</b>	\$16.95	\$16.95	\$16.95
Micro Flow	4	N/A	N/A	<b>GRAB BAR</b>	\$19.95	\$19.95	\$19.95
Micro Massage (each)	\$40	\$40	N/A	Bolt on PB, PC, SN, WH, ALM, BISC	\$125ea.	\$125ea.	2-Incl.
Ultra Flow	4	6	4	Standard Grab Bars will be color coordinated to match whirlpool			
Ultra Massage (each)	\$50	\$50	\$50	<b>TILE FLANGE</b>	\$175	\$175	\$175
Sole Soother Seven (N/A in Metallic)	N/A	N/A	2	<b>DRAIN KITS</b>			
Back Masseur System	N/A	Incl.	Incl.	Lift N Turn PB, PC, SN, WH, ALM, BISC, ORB	\$95	Incl.	N/A
Neck Masseur Pillow (incl 2 jets)	N/A	\$450	Incl.	Deluxe Cable Drain PB, PC, SN, WH, ALM, BISC, ORB	\$250	\$250	Incl.
Metallic Trim Kit PC, PB, SN, ORB	\$250	\$350	\$400	Standard drain colored to match whirlpool with ABS rough unless specified otherwise			
<b>PUMPS</b>				<b>LIGHTS</b>			
2.25 Hydro Power 1 speed	Incl.	N/A	N/A	Mood Light	\$195	\$195	Incl.
2.25 Hydro Power 3 speed	\$250	N/A	2-Incl.	Chromatherapy	\$395	\$395	\$395
3.25 Hydro Power 3 speed	N/A	Incl.	N/A	<b>PILLOW</b>			
Alternate Pump Location*	Incl.	Incl.	Incl.	Deluxe Oval	\$80	Incl.	N/A
Custom Pump Location(s)*	\$180	\$180	\$180ea	<b>STANDARD COLORS</b>			
<b>HEATER</b>				White Bone	Incl.	Incl.	Incl.
Heater Inline/Electric	\$395	Incl.	Incl.	Almond Biscuit	\$495	\$495	\$495
Hydro Clean Sanitation System	\$495	\$495	\$495	Design Colors-refer to page 5			
<b>CONTROLS</b>				<b>EZ LEVEL QUIET BASE</b>			
Air Switch on/off	Incl.	Incl.	N/A	Alters deck height. Contact factory.	N/A	\$300	Incl.
Air Switch with Digital Temp Readout	N/A	N/A	Incl.	<b>EZ LEVEL BARS</b>			
				Rush order 72 hour manufacturing (contact factory)	\$150	\$150	N/A
				Shipping Boxes	\$495	\$495	\$495
					\$90	\$90	\$90

# Serenity 5.5

66" x 36" x 22"

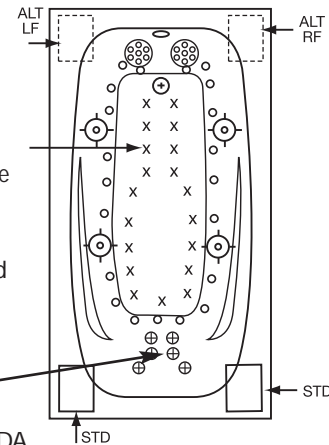
**Air Massage Series \$3100**  
#SA6636

**Combination Series \$5650**  
#SC6636



**Optional Deluxe in floor Air Massage jets—provide muscle therapy directly to the legs and body.**

**Standard Warm Air FDA Tubing Zone**



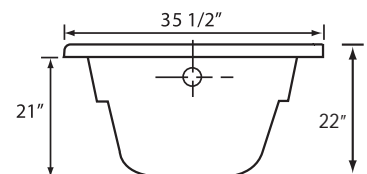
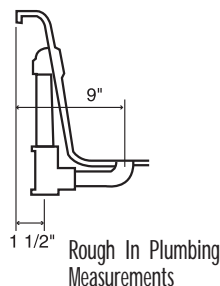
## Equipment Legend

- X Optional deluxe in floor air massage jets
- Turbo Air Jet
- ⊕ Accu-Massage
- Micro Flow or Optional Micromassage
- ⊙ Ultra Flow or Optional Ultra Massage
- ⊙ Sole Soother
- ⊕ Neck Masseur Pillow
- Pump
- Alt. Pump
- Pump Access (18"x18" required)  
\*Some pump locations & plumbing may extend beyond perimeter of bath
- Heated FDA Tubing Zone

## Electrical Specifications

	Air Massage	Combination
<b>Pump Requirement</b>		
115V 15AMP w/GFCI	1	1
115V 20AMP w/GFCI		1
<b>Inline Heater Requirement</b>		
115V 15AMP w/GFCI		1
Gallons to Overflow	54 gal/204L	
Gallons to Operate	30 gal-54 gal	

NOTE: Specifications are ± 1/4" and features are subject to change without notice  
All final measurements should be taken from tub on site



## Features

	Air Massage Series	Combination Series		Air Massage Series	Combination Series
<b>JETS</b>					
Total number of jets	18	30			
Deluxe air systems	\$995	\$995			
Accu-Massage	N/A	6			
Micro Flow	N/A	N/A			
Micro Massage (each)	N/A	N/A			
Ultra Flow	N/A	4			
Ultra Massage (each)	N/A	\$50			
Sole Soother Seven (N/A in Metallic)	N/A	2			
Back Masseur System	N/A	Incl.			
Neck Masseur Pillow (incl 2 jets)	N/A	\$450			
Metallic Trim Kit PC, PB, SN, ORB	\$350	\$600			
<b>PUMPS</b>					
1.25 AP variable speed	Incl.	Incl.			
3.25 Hydro Power 3 speed	N/A	Incl.			
Pump Location/Alternate*	Incl.	Incl.			
Custom Pump Location(s)*	\$180	\$180			
<b>HEATER</b>					
Heater Inline/Electric	N/A	Incl.			
HydroClean Sanitation System	N/A	\$495			
<b>CONTROLS</b>					
Air Switch on/off water pump	N/A	Incl.			
Electronic variable speed	Incl.	Incl.			
<b>AROMATHERAPY FRAGRANCE SYSTEM</b>					
Fragrance Refills	\$195	\$195			
HYDROCLEANSE WHIRLPOOL SYS CLNER	\$16.95	\$16.95			
	\$19.95	\$19.95			
<b>GRAB BAR</b>					
Bolt on PB, PC, SN, WH, ALM, BISC	\$125 ea.				2-Incl.
Standard Grab Bars will be color coordinated to match whirlpool					
<b>TILE FLANGE</b>					
	\$175	\$175			
<b>DRAIN KITS</b>					
Lift N Turn PB, PC, SN, WH, ALM, BISC, ORB	Incl.				N/A
Deluxe Cable Drain PB, PC, SN, WH, ALM, BISC, ORB	\$250				Incl.
Standard drain colored to match whirlpool with ABS rough unless specified otherwise					
<b>LIGHTS</b>					
Mood Light	\$195				Incl.
Chromatherapy	\$395	\$395			
<b>PILLOW</b>					
Deluxe Oval				Incl.	Incl.
<b>STANDARD COLORS</b>					
White Bone Almond Biscuit	Incl.				Incl.
Special Colors—refer to page 5	\$495	\$495			
<b>EZ LEVEL QUIET BASE</b>					
	Incl.				Incl.
Rush order 72 hour manufacturing (contact factory)	\$495	\$495			
Shipping Boxes	\$90	\$90			