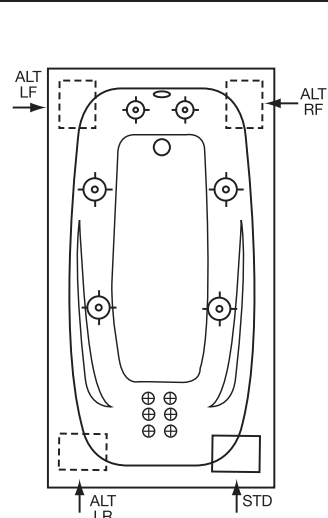
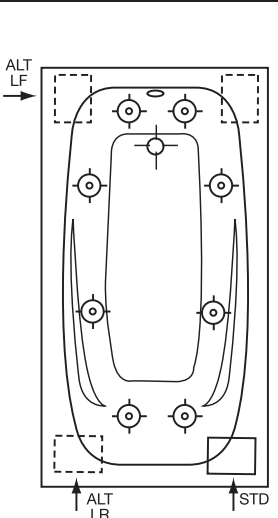
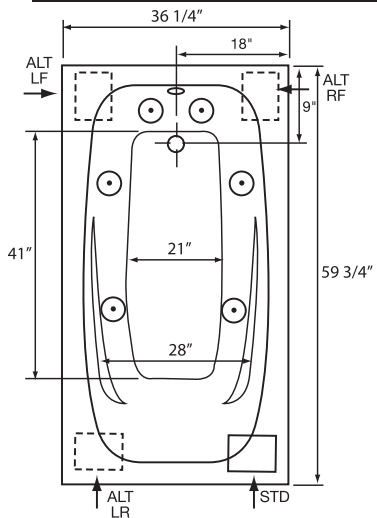


Serenity 5

60" x 36" x 22"

Bronze Series \$1650 #SB6036	Silver Series \$1795 #SS6036	Gold Series \$2995 #SG6036	Soaking Tub \$795 #STO6036
--	--	--------------------------------------	--------------------------------------



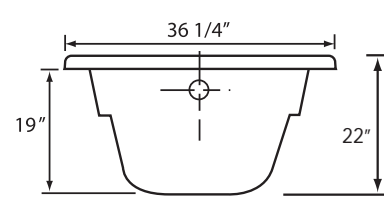
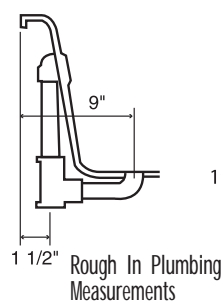
Equipment Legend

- Accu-Massage
- Micro Flow or Opt. Micromassage
- Ultra Flow or Optional Ultra Massage
- Sole Soother
- Neck Masseur Pillow
- Pump
- Alt. Pump
- Pump Access (18"x18" required)
*Some pump locations & plumbing may extend beyond perimeter of bath
- 24° Back Rest

Electrical Specifications

	Bronze	Silver	Gold
Pump Requirement			
115V 15AMP w/GFCI	1	1	
115V 20AMP w/GFCI			1
Inline Heater Requirement			
115V 15AMP w/GFCI	optional	optional	1
Gallons to Overflow	54 gal/204L		
Gallons to Operate	30-54 gal		

NOTE: Specifications are $\pm 1/4"$, features and prices are subject to change without notice
All final measurements should be taken from tub on site



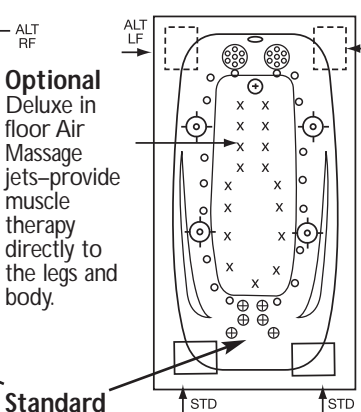
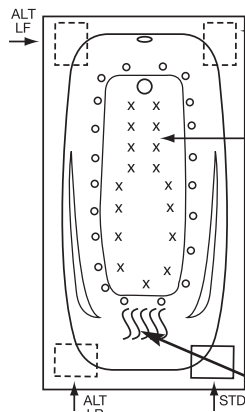
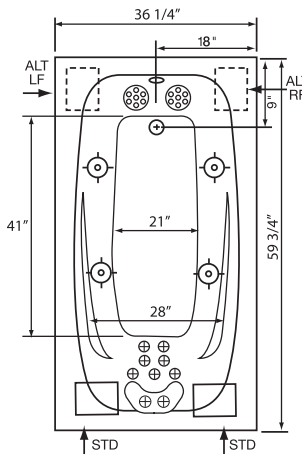
Features

	Bronze Series	Silver Series	Gold Series		Bronze Series	Silver Series	Gold Series
JETS							
Total number of jets	6	8	12				
Accu-Massage	N/A	N/A	6				
Micro Flow	6	4	N/A				
Micro Massage (each)	\$40	\$40	\$40				
Ultra Flow	N/A	4	6				
Ultra Massage (each)	\$50	\$50	\$50				
Sole Soother Seven (N/A in Metallic)	N/A	N/A	N/A				
Back Masseur System	N/A	N/A	Incl.				
Neck Masseur Pillow (incl 2 jets)	N/A	N/A	\$450				
Metallic Trim Kit PC, PB, SN, ORB	\$250	\$350	\$400				
PUMPS							
1.25 Hydro Power 1 speed	Incl.	N/A	N/A				
2.25 Hydro Power 1 speed	\$250	Incl.	N/A				
2.25 Hydro Power 3 speed	\$350	\$250	N/A				
3.25 Hydro Power 3 speed	N/A	N/A	Incl.				
Alternate Pump Location*	\$180	\$180	\$180				
Custom Pump Location*							
HEATER							
Heater Inline/Electric	\$395	\$395	Incl.				
Hydro Clean Sanitation System	\$495	\$495	\$495				
CONTROLS							
Air Switch on/off	Incl.	Incl.	Incl.				
				Aromatherapy Fragrance System	\$195	\$195	\$195
				Fragrance Refills	\$16.95	\$16.95	\$16.95
				Hydrocleanse Whirlpool Sys Clnr	\$19.95	\$19.95	\$19.95
				GRAB BAR			
				Bolt on PB, PC, SN, WH, ALM, BISC	\$125ea.	\$125ea.	\$125ea.
				Standard Grab Bars will be color coordinated to match whirlpool			
				TILE FLANGE	\$175	\$175	\$175
				DRAIN KITS			
				Lift N Turn PB, PC, SN, WH, ALM, BISC, ORB	\$95	\$95	Incl.
				Deluxe Cable Drain PB, PC, SN, WH, ALM, BISC, ORB	\$250	\$250	\$250
				Standard drain colored to match whirlpool with ABS rough unless specified otherwise			
				LIGHTS			
				Mood Light	\$195	\$195	\$195
				Chromatherapy	\$395	\$395	\$395
				PILLOW			
				Deluxe Oval	\$80	\$80	Incl.
				STANDARD COLORS			
				White Bone Almond Biscuit	Incl.	Incl.	Incl.
				Design Colors-refer to page 5	\$495	\$495	\$495
				EZ LEVEL QUIET BASE	N/A	N/A	\$300
				Alters deck height. Contact factory.			
				EZ LEVEL BARS	\$150	\$150	\$150
				Rush order 72 hour manufacturing (contact factory)	\$495	\$495	\$495
				Shipping Boxes	\$90	\$90	\$90

Serenity 5

60" x 36" x 22"

Platinum Series \$5300 #SP6036 **Air Massage Series \$2995 #SA6036** **Combination Series \$5650 #SC6036**



Equipment Legend

- X Optional deluxe in floor air massage jets
 - Turbo Air Jet
 - ⊕ Accu-Massage
 - Micro Flow or Optional Micromassage
 - ⊙ Ultra Flow or Optional Ultra Massage
 - ⊙ Sole Soother
 - ⊕ Neck Masseur Pillow
 - Pump
 - ⊖ Alt. Pump
 - Heated FDA Tubing Zone
 - ~~~~~
- Pump Access (18"x18" required)
*Some pump locations & plumbing may extend beyond perimeter of bath

Electrical Specifications

Pump Requirement

115V 15AMP w/GFCI
115V 20AMP w/GFCI

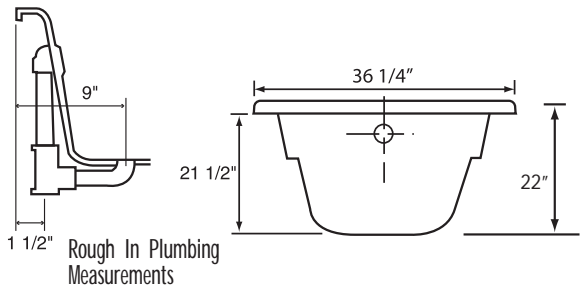
Inline Heater Requirement

115V 15AMP w/GFCI

Platinum Air Massage Combination

Gallons to Overflow: 54 gal/204L
Gallons to Operate: 30-54 gal

NOTE: Specifications are ± 1/4" and features are subject to change without notice
All final measurements should be taken from tub on site



Features

	Platinum Series	Air Massage Series	Combination Series	Platinum Series	Air Massage Series	Combination Series
JETS						
Total number of jets	15	18	30	AROMATHERAPY FRAGRANCE SYSTEM		
Deluxe air systems	N/A	\$995	\$995	Fragrance Refills	\$16.95	\$16.95
Accu-Massage	9	N/A	6	HYDROCLEANSE WHIRLPOOL SYS CLNER		
Micro Flow	N/A	N/A	N/A	Standard Grab Bars will be color coordinated to match whirlpool	\$19.95	\$19.95
Micro Massage (each)	N/A	N/A	N/A	GRAB BAR		
Ultra Flow	4	N/A	4	Bolt on PB, PC, SN, WH,	2-Incl.	\$125ea.
Ultra Massage (each)	\$50	N/A	\$50	ALM, BISC		2-Incl.
Sole Soother Seven (N/A in Metallic)	2	N/A	2-Incl.	Standard Grab Bars will be color coordinated to match whirlpool		
Back Masseur System	Incl.	N/A	Incl.	TILE FLANGE		
Neck Masseur Pillow (incl 2 jets)	Incl.	N/A	\$450		\$175	\$175
Metallic Trim Kit PC, PB, SN, ORB	\$400	\$350	\$600	DRAIN KITS		
PUMPS						
1.25 AP variable speed	N/A	Incl.	Incl.	Lift N Turn PB, PC, SN, WH,	N/A	Incl.
2.25 Hydro Power 3 speed	2 Incl.	N/A	N/A	ALM, BISC, ORB		N/A
3.25 Hydro Power 3 speed	N/A	N/A	Incl.	Deluxe Cable Drain PB, PC,	Incl.	\$250
Pump Location/Alternate*	Incl.	Incl.	Incl.	SN, WH, ALM, BISC, ORB		Incl.
Custom Pump Location*	\$180	\$180	\$180	Standard drain colored to match whirlpool with ABS rough unless specified otherwise		
HEATER						
Heater Inline/Electric	Incl.	N/A	Incl.	LIGHTS		
HydroClean Sanitation System	\$495	N/A	\$495	Mood Light	Incl.	\$195
CONTROLS						
Air Switch on/off water pump	N/A	N/A	Incl.	Chromatherapy	\$395	\$395
Electronic variable speed	Incl.	Incl.	Incl.	PILLOW		
STANDARD COLORS						
				Deluxe Oval	N/A	Incl.
				EZ LEVEL QUIET BASE		
				White Bone Almond Biscuit	Incl.	Incl.
				Special Colors-refer to page 5	\$495	\$495
				RUSH ORDER		
				Rush order 72 hour manufacturing (contact factory)	Incl.	Incl.
				Shipping Boxes	\$90	\$90