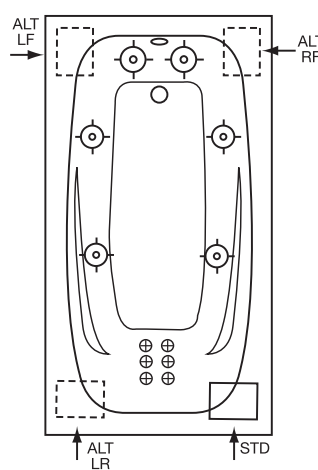
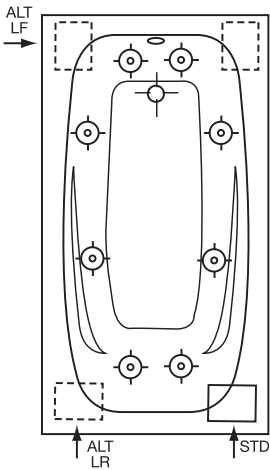
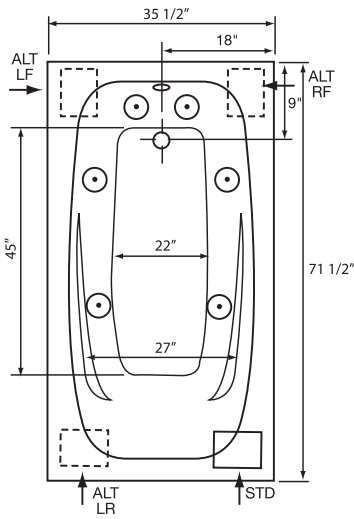


Serenity 6

72" x 36" x 22"

Bronze Series \$1750 #SB7236	Silver Series \$1950 #SS7236	Gold Series \$2995 #SG7236	Soaking Tub \$900 #STO7236
--	--	--------------------------------------	--------------------------------------



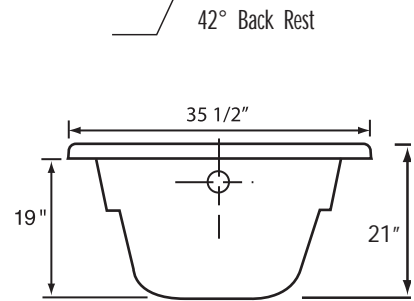
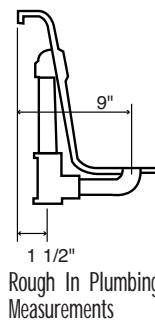
Equipment Legend

- Accu-Massage
- Micro Flow or Opt. Micromassage
- Ultra Flow or Optional Ultra Massage
- Sole Soother
- Neck Masseur Pillow
- Pump Alt. Pump
- Pump Access (18"x18" required)
*Some pump locations & plumbing may extend beyond perimeter of bath

Electrical Specifications

	Bronze	Silver	Gold
Pump Requirement			
115V 15AMP w/GFCI	1		
115V 20AMP w/GFCI		1	1
Inline Heater Requirement			
115V 15AMP w/GFCI	optional	optional	1
Gallons to Overflow	54 gal/204L		
Gallons to Operate	39 gal/147L		

NOTE: Specifications are ± 1/4", features and prices are subject to change without notice
All final measurements should be taken from tub on site



Features

	Bronze Series	Silver Series	Gold Series		Bronze Series	Silver Series	Gold Series
JETS							
Total number of jets	6	8	12	Aromatherapy Fragrance System	\$195	\$195	\$195
Accu-Massage	N/A	N/A	6	Fragrance Refills	\$16.95	\$16.95	\$16.95
Micro Flow	6	4	N/A	Hydrocleanse Whirlpool Sys Clnr	\$19.95	\$19.95	\$19.95
Micro Massage (each)	\$40	\$40	\$40	GRAB BAR			
Ultra Flow	N/A	4	6	Bolt on PB, PC, SN, WH, ALM, BISC	\$125ea	\$125ea	\$125ea
Ultra Massage (each)	\$50	\$50	\$50	Standard Grab Bars will be color coordinated to match whirlpool			
Sole Soother Seven (N/A in Metallic)	N/A	N/A	N/A	TILE FLANGE	\$175	\$175	\$175
Back Masseur System	N/A	N/A	Incl.	DRAIN KITS			
Neck Masseur Pillow (incl 2 jets)	N/A	N/A	\$450	Lift N Turn PB, PC, SN, WH, ALM, BISC, ORB	\$95	\$95	Incl.
Metallic Trim Kit PC, PB, SN, ORB	\$250	\$250	\$350	Deluxe Cable Drain PB, PC, SN, WH, ALM, BISC, ORB	\$250	\$250	\$250
PUMPS				Standard drain colored to match whirlpool with ABS rough unless specified otherwise			
1.25 Hydro Power 1 speed	Incl.	N/A	N/A	LIGHTS			
2.25 Hydro Power 1 speed	\$250	Incl.	N/A	Mood Light	\$195	\$195	\$195
2.25 Hydro Power 3 speed	\$350	\$250	N/A	Chromatherapy	\$395	\$395	\$395
3.25 Hydro Power 3 speed	N/A	N/A	Incl.	PILLOW			
Alternate Pump Location*	Incl.	Incl.	Incl.	Deluxe Oval	\$80	\$80	Incl.
Custom Pump Location(s)*	\$180	\$180	\$180ea	STANDARD COLORS			
HEATER				White Bone Almond Biscuit	Incl.	Incl.	Incl.
Heater Inline/Electric	\$395	\$395	Incl.	Design Colors-refer to page 5	\$495	\$495	\$495
Hydro Clean Sanitation System	\$495	\$495	\$495	EZ LEVEL QUIET BASE	N/A	N/A	\$300
CONTROLS				Alters deck height. Contact factory.			
Air Switch on/off	Incl.	Incl.	Incl.	EZ LEVEL BARS	\$150	\$150	\$150
Air Switch with Digital Temp Readout	N/A	N/A	N/A	Rush order 72 hour manufacturing (contact factory)	\$495	\$495	\$495
				Shipping Boxes	\$90	\$90	\$90

Serenity 6

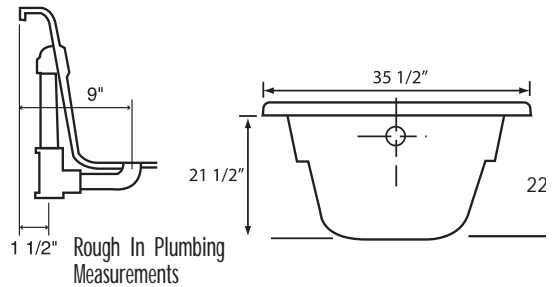
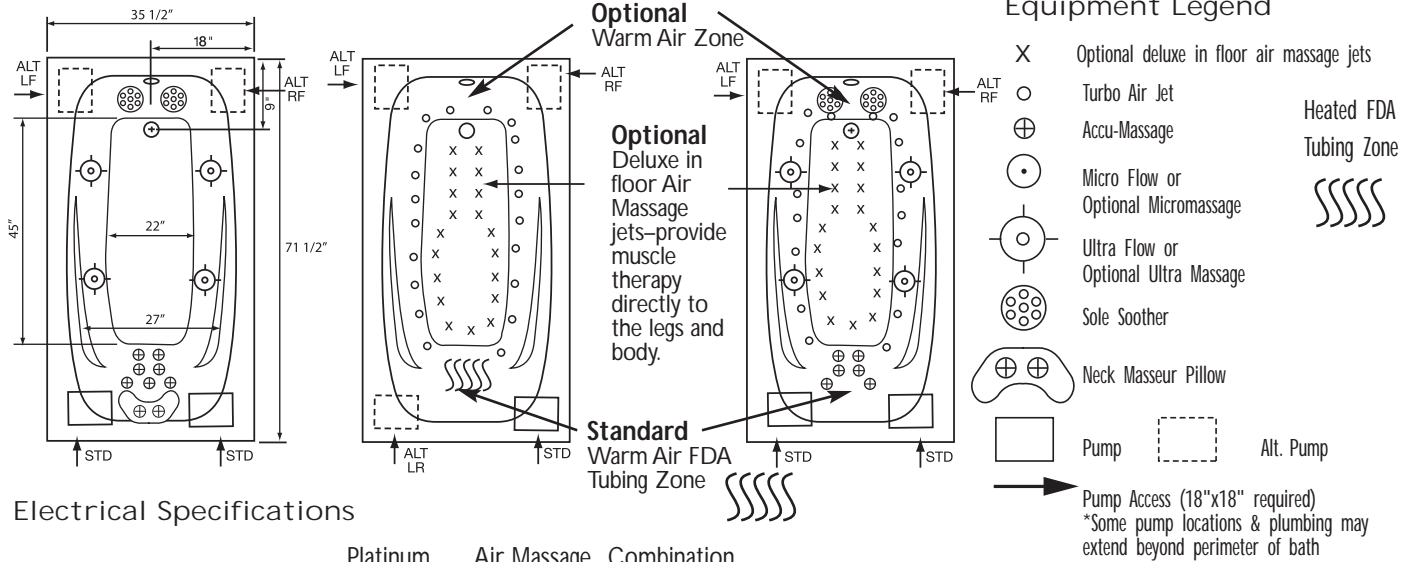
72" x 36" x 22"

Platinum Series \$5350 Air Massage Series \$2995 Combination Series \$5650

#SP7236

#SA7236

#SC7236



Features

	Platinum Series	Air Massage Series	Combination Series		Platinum Series	Air Massage Series	Combination Series
JETS				AROMATHERAPY FRAGRANCE SYSTEM			
Total number of jets	15	18	30	Fragrance Refills	\$195		\$195
Deluxe air systems	N/A	\$995	\$995		\$16.95		\$16.95
Accu-Massage	9	N/A	6	HYDROCLEANSE WHIRLPOOL SYS CLNER			
Micro Flow	N/A	N/A	N/A		\$19.95		\$19.95
Micro Massage (each)	N/A	N/A	N/A	GRAB BAR			
Ultra Flow	4	N/A	4	Bolt on PB, PC, SN, WH,	2-Incl.	\$125ea	2-Incl.
Ultra Massage (each)	\$50	N/A	\$50	ALM, BISC			
Sole Soother Seven (N/A in Metallic)	2	N/A	2	Standard Grab Bars will be color coordinated to match whirlpool			
Back Masseur System	Incl.	N/A	Incl.	TILE FLANGE			
Neck Masseur Pillow (incl 2 jets)	Incl.	N/A	\$450		\$175	\$175	\$175
Metallic Trim Kit PC, PB, SN, ORB	\$400	\$350	\$600	DRAIN KITS			
				Lift N Turn PB, PC, SN, WH,	N/A	Incl.	N/A
				ALM, BISC, ORB			
				Deluxe Cable Drain PB, PC,	Incl.	\$250	Incl.
				SN, WH, ALM, BISC, ORB			
				Standard drain colored to match whirlpool with ABS rough unless specified otherwise			
PUMPS				LIGHTS			
1.25 AP variable speed	N/A	Incl.	Incl.	Mood Light	Incl.	\$195	Incl.
2.25 Hydro Power 3 speed	2 Incl.	N/A	N/A	Chromatherapy	\$395	\$395	\$395
3.25 Hydro Power 3 speed	N/A	N/A	Incl.	PILLOW			
Pump Location/Alternate*	Incl.	Incl.	Incl.	Deluxe Oval	N/A	Incl.	Incl.
Custom Pump Location(s)*	\$180	\$180	\$180ea	STANDARD COLORS			
				White Bone Almond Biscuit	Incl.	Incl.	Incl.
				Special Colors-refer to page 5	\$495	\$495	\$495
HEATER				EZ LEVEL QUIET BASE			
Heater Inline/Electric	Incl.	N/A	Incl.		Incl.	Incl.	Incl.
HydroClean Sanitation System	\$495	N/A	\$495	Rush order 72 hour manufacturing (contact factory)	\$495	\$495	\$495
				Shipping Boxes	\$90	\$90	\$90
CONTROLS							
Air Switch on/off water pump	N/A	N/A	Incl.				
Electronic variable speed	Incl.	Incl.	Incl.				