

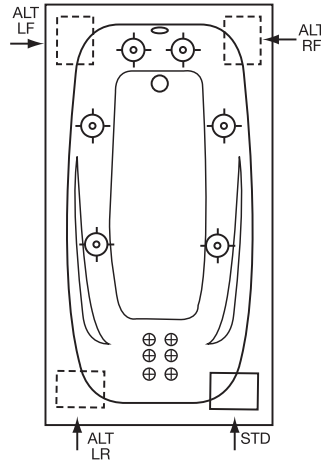
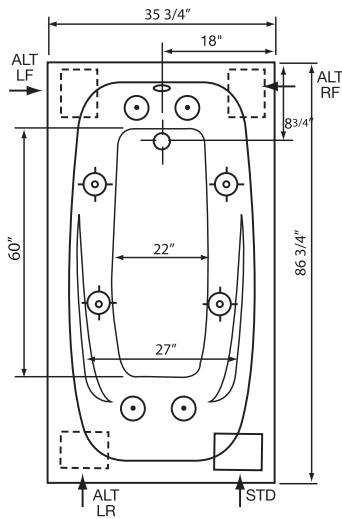
# Serenity 7

87" x 36" x 21"

**Silver Series \$4295**  
#SS8736 & #SS9440

**Gold Series \$4895**  
#SG8736 & #SG9440

**Soaking Tub \$3350**  
#STO8736



## Equipment Legend

- Accu-Massage
- Micro Flow or Opt. Micromassage
- Ultra Flow or Optional Ultra Massage
- Sole Soother
- Neck Masseur Pillow
- Pump  Alt. Pump
- Pump Access (18"x18" required)  
\*Some pump locations & plumbing may extend beyond perimeter of bath
- 42° Back Rest

## Electrical Specifications

### Pump Requirement

115V 15AMP w/GFCI

115V 20AMP w/GFCI

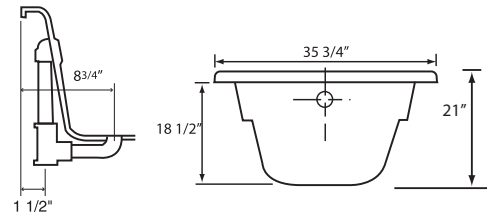
### Inline Heater Requirement

115V 15AMP w/GFCI

Gallons to Overflow 80 gal/272L  
Gallons to Operate 39 gal-80 gal

NOTE: Specifications are ± 1/4", features and prices are subject to change without notice  
All final measurements should be taken from tub on site

	Silver	Gold
Pump Requirement	I	I
Inline Heater Requirement	optional	I



Rough In Plumbing Measurements

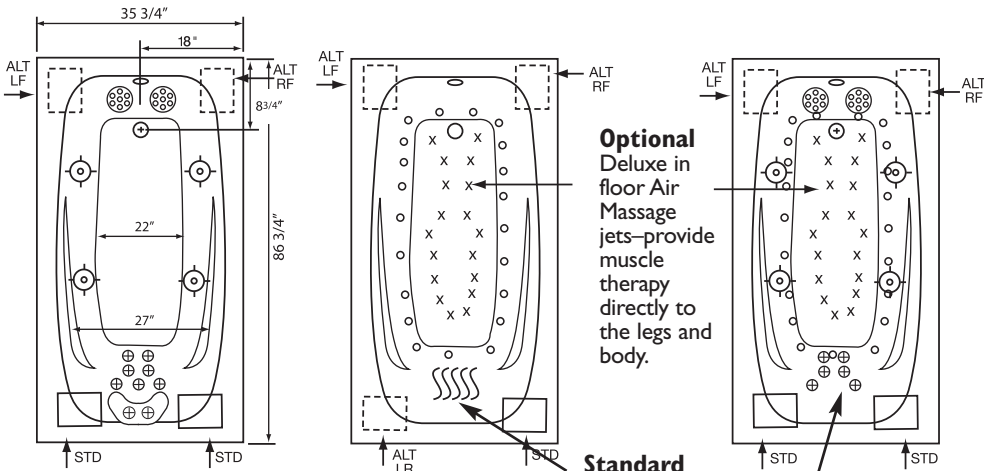
## Features

	Silver Series	Gold Series	Silver Series	Gold Series
<b>JETS</b>				
Total number of jets	8	12		
Accu-Massage	N/A	6		
Micro Flow	4	N/A		
Micro Massage (each)	\$40	\$40		
Ultra Flow	4	6		
Ultra Massage (each)	\$50	\$50		
Sole Soother Seven (N/A in Metallic)	N/A	N/A		
Back Masseur System	N/A	Incl.		
Neck Masseur Pillow (incl 2 jets)	N/A	\$450		
Metallic Trim Kit PC, PB, SN, ORB	\$250	\$350		
<b>PUMPS</b>				
2.25 Hydro Power 1 speed	Incl.	N/A		
2.25 Hydro Power 3 speed	\$250	N/A		
3.25 Hydro Power 3 speed	N/A	Incl.		
Alternate Pump Location*	Incl.	Incl.		
Custom Pump Location(s)	\$180	\$180		
<b>HEATER</b>				
Heater Inline/Electric	\$395	Incl.		
Hydro Clean Sanitation System	\$495	\$495		
<b>CONTROLS</b>				
Air Switch on/off	Incl.	Incl.		
Air Switch with Digital Temp Readout	N/A	N/A		
<b>Aromatherapy Fragrance System</b>				
Fragrance Refills			\$195	\$195
Hydrocleanse Whirlpool Sys Clnr			\$16.95	\$16.95
			\$19.95	\$19.95
<b>GRAB BAR</b>				
Bolt on PB, PC, SN, WH, ALM, BISC			\$125ea.	\$125ea.
Standard Grab Bars will be color coordinated to match whirlpool				
<b>TILE FLANGE</b>				
			\$175	\$175
<b>DRAIN KITS</b>				
Lift N Turn PB, PC, SN, WH, ALM, BISC, ORB			\$95	Incl.
Deluxe Cable Drain PB, PC, SN, WH, ALM, BISC, ORB			\$250	\$250
Standard drain colored to match whirlpool with ABS rough unless specified otherwise				
<b>LIGHTS</b>				
Mood Light			\$195	\$195
Chromatherapy			\$395	\$395
<b>PILLOW</b>				
Deluxe Oval			\$80	Incl.
<b>STANDARD COLOR</b>				
White only			Incl.	Incl.
<b>EZ LEVEL QUIET BASE</b>				
Alters deck height. Contact factory.			N/A	\$300
<b>EZ LEVEL BARS</b>				
			\$150	\$150
Rush order 72 hr manufacturing (contact Factory)			\$495	\$495
Shipping Boxes			\$90	\$90

# Serenity 7

87" x 36" x 21"

**Platinum Series \$7395 Air Massage Series \$4490 Combination Series \$7595**  
**#SP8736 & #SP9440 #SA8736 & #SA9440 #SCO8736 & #SC9440**

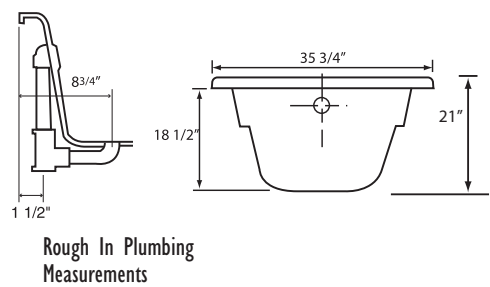


### Equipment Legend

- X Optional deluxe in floor air massage jets
  - Turbo Air Jet
  - ⊕ Accu-Massage
  - Micro Flow or Optional Micromassage
  - Ultra Flow or Optional Ultra Massage
  - ⊙ Sole Soother
  - ⊕ Neck Masseur Pillow
  - Pump
  - ⊞ Alt. Pump
- Heated FDA Tubing Zone
- ~~~~~
- Pump Access (18"x18" required)  
 \*Some pump locations & plumbing may extend beyond perimeter of bath

### Electrical Specifications

	Platinum	Air Massage	Combination
<b>Pump Requirement</b>			
115V 15AMP w/GFCI		1	1
115V 20AMP w/GFCI	2		
<b>Inline Heater Requirement</b>			
115V 15AMP w/GFCI	1		
Gallons to Overflow	80 gal/272L		
Gallons to Operate	39 gal-80 gal		
NOTE: Specifications are ± 1/4" and features are subject to change without notice All final measurements should be taken from tub on site			



### Features

	Platinum Series	Air Massage Series	Combination Series	Platinum Series	Air Massage Series	Combination Series
<b>JETS</b>						
Total number of jets	15	18	30			
Deluxe air systems	N/A	\$995	\$995			
Accu-Massage	9	N/A	6			
Micro Flow	N/A	N/A	N/A			
Micro Massage (each)	N/A	N/A	N/A			
Ultra Flow	4	N/A	4			
Ultra Massage (each)	\$50	N/A	\$50			
Sole Soother Seven (N/A in Metallic)	2	N/A	2			
Back Masseur System	Incl.	N/A	Incl.			
Neck Masseur Pillow (incl 2 jets)	Incl.	N/A	\$450			
Metallic Trim Kit PC, PB, SN, ORB	\$400	\$350	\$600			
<b>PUMPS</b>						
1.25 AP variable speed	N/A	Incl.	Incl.			
2.25 Hydro Power 3 speed	2 Incl.	N/A	N/A			
3.25 Hydro Power 3 speed	\$350	N/A	Incl.			
Pump Location/Alternate*	Incl.	Incl.	Incl.			
Custom Pump Location(s)*	\$180	\$180	\$180			
<b>HEATER</b>						
Heater Inline/Electric	Incl.	N/A	Incl.			
HydroClean Sanitation System	\$495	N/A	\$495			
<b>CONTROLS</b>						
Air Switch on/off water pump	N/A	N/A	Incl.			
Electronic variable speed	Incl.	N/A	Incl.			
<b>Aromatherapy Frgrance Sys</b>		\$195	\$195			
Frgrance Refills		\$16.95	\$16.95			
<b>Hydrocleanse Whlpl Sys Clnr</b>				\$19.95		\$19.95
<b>GRAB BAR</b>						
Bolt on PB, PC, SN, WH, ALM, BISC	2-Incl.	\$125 ea.	2-Incl.			
Standard Grab Bars will be color coordinated to match whirlpool						
<b>TILE FLANGE</b>	\$175	\$175	\$175			
<b>DRAIN KITS</b>						
Lift N Turn PB, PC, SN, WH, ALM, BISC, ORB	N/A	Incl.	N/A			
Deluxe Cable Drain PB, PC, SN, WH, ALM, BISC, ORB	Incl.	\$250	Incl.			
Standard drain colored to match whirlpool with ABS rough unless specified otherwise						
<b>LIGHTS</b>						
Mood Light	Incl.	\$195	Incl.			
Chromatherapy	\$395	\$395	\$395			
<b>PILLOW</b>						
Deluxe Oval	N/A	Incl.	Incl.			
<b>STANDARD COLOR</b>						
White only	Incl.	Incl.	Incl.			
<b>EZ LEVEL QUIET BASE</b>	Incl.	Incl.	Incl.			
Rush order 72 hour manufacturing (contact factory)	\$495	\$495	\$495			
Shipping Boxes	\$90	\$90	\$90			