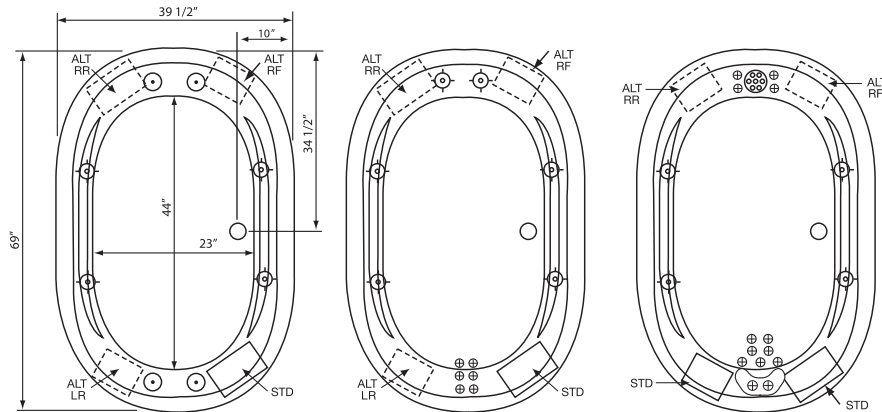


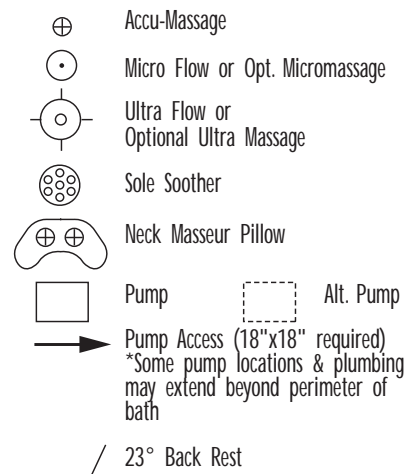
Tahoe

69" x 40" x 22"

Silver Series \$2690 #TS6940	Gold Series \$3195 #TG6940	Platinum Series \$5575 #TP6940	Soaking Tub \$1950 #TTO6940
--	--------------------------------------	--	---------------------------------------



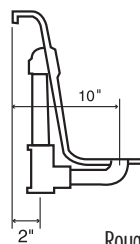
Equipment Legend



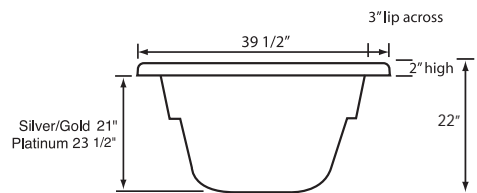
Electrical Specifications

	Silver	Gold	Platinum
Pump Requirement			
115V 15AMP w/GFCI	1		
115V 20AMP w/GFCI		1	2
Inline Heater Requirement			
115V 15AMP w/GFCI	optional	1	1
Gallons to Overflow	65 gal		
Gallons to Operate	40-65 gal		

NOTE: Specifications are $\pm 1/4"$, features and prices are subject to change without notice
All final measurements should be taken from tub on site



Rough In Plumbing Measurements



Features

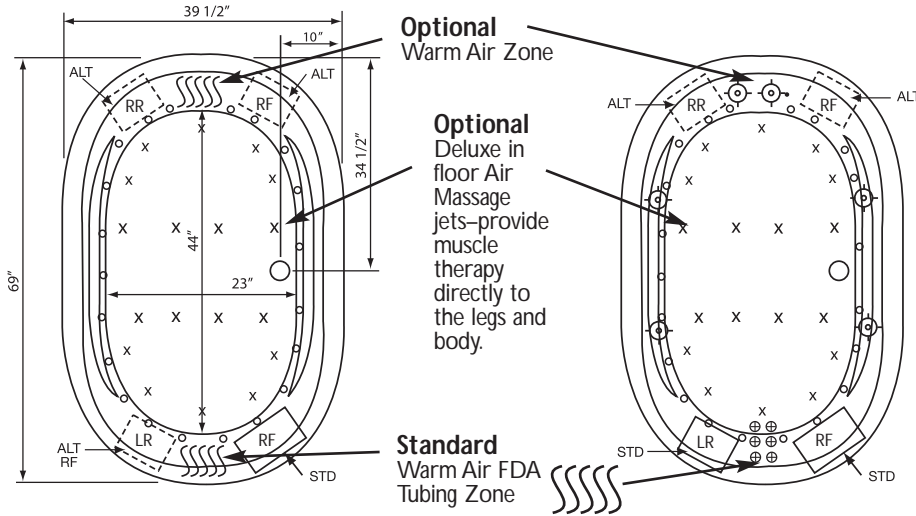
	Silver Series	Gold Series	Platinum Series		Silver Series	Gold Series	Platinum Series
JETS				Aromatherapy Fragrance System	\$195	\$195	\$195
Total number of jets	8	12	18	Fragrance Refills	\$16.95	\$16.95	\$16.95
Accu-Massage	N/A	6	13	Hydrocleanse Whirlpool Sys Clnr	\$19.95	\$19.95	\$19.95
Micro Flow	4	N/A	N/A	GRAB BAR			
Micro Massage (each)	\$40	\$40	\$40	Bolt on PB, PC, SN, WH, ALM, BISC	\$125ea	\$125ea	1-Incl.
Ultra Flow	4	6	4	Standard Grab Bars will be color coordinated to match whirlpool			
Ultra Massage (each)	N/A	\$50	\$50	DRAIN KITS			
Sole Soother Seven (N/A in Metallic)	N/A	N/A	1	Lift N Turn PB, PC, SN, WH, ALM, BISC, ORB	\$95	Incl.	N/A
Back Masseur System	N/A	N/A	Incl.	Deluxe Cable Drain PB, PC, SN, WH, ALM, BISC, ORB	\$250	\$250	Incl.
Neck Masseur Pillow (incl 2 jets)	N/A	\$450	Incl.	Standard drain colored to match whirlpool with ABS rough unless specified otherwise			
Metallic Trim Kit PC, PB, SN, ORB	\$250	\$350	\$400	LIGHTS			
PUMPS				Mood Light	\$195	\$195	Incl.
2.25 Hydro Power 1 speed	Incl.	N/A	N/A	Chromatherapy	\$395	\$395	\$395
2.25 Hydro Power 3 speed	\$250	N/A	N/A	PILLOW			
3.25 Hydro Power 3 speed	N/A	Incl.	2-Incl.	Deluxe Oval	\$80	Incl.	Incl.
Alternate Pump Location*	Incl.	Incl.	Incl.	STANDARD COLORS			
Custom Pump Location(s)*	\$180	\$180	\$180ea	White Bone Almond Biscuit	Incl.	Incl.	Incl.
HEATER				Design Colors-refer to page 5	\$495	\$495	\$495
Heater Inline/Electric	\$395	Incl.	Incl.	EZ LEVEL QUIET BASE	\$300	\$300	Incl.
Hydro Clean Sanitation System	\$495	\$495	\$495	Alters deck height. Contact factory.			
CONTROLS				EZ LEVEL BARS	\$150	\$150	N/A
Air Switch on/off	Incl.	Incl.	Incl.	Rush order 72 hour manufacturing (contact factory)	\$495	\$495	\$495
				Shipping Boxes	\$90	\$90	\$90

Tahoe

69" x 40" x 22"

Air Massage Series \$3995
#TA6940

Combination Series \$6195
#TC6940



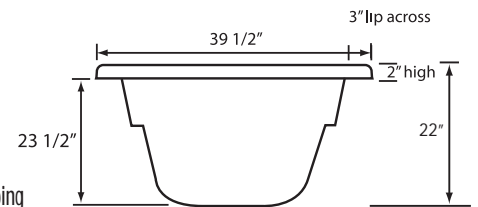
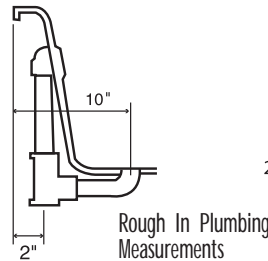
Equipment Legend

- X Optional deluxe in floor air massage jets
 - Turbo Air Jet
 - ⊕ Accu-Massage
 - Micro Flow or Optional Micromassage
 - ⊙ Ultra Flow or Optional Ultra Massage
 - ⊙ Sole Soother
 - ⊕⊕ Neck Masseur Pillow
 - Pump
 - Alt. Pump
 - Heated FDA Tubing Zone
- Pump Access (18"x18" required)
*Some pump locations & plumbing may extend beyond perimeter of bath

Electrical Specifications

	Air Massage	Combination
Pump Requirement		
115V 15AMP w/GFCI	1	1
115V 20AMP w/GFCI		1
Inline Heater Requirement		
115V 15AMP w/GFCI		1
Gallons to Overflow	65 gal	
Gallons to Operate	40-65 gal	

NOTE: Specifications are ± 1/4" and features are subject to change without notice
All final measurements should be taken from tub on site



Features

	Air Massage Series	Combination Series	Air Massage Series	Combination Series
JETS				
Total number of jets	20	32		
Deluxe air systems	\$995	\$995		
Accu-Massage	N/A	6		
Micro Flow	N/A	N/A		
Micro Massage (each)	N/A	N/A		
Ultra Flow	N/A	4		
Ultra Massage (each)	N/A	\$50		
Sole Soother Seven (N/A in Metallic)	N/A	N/A		
Back Masseur System	N/A	Incl.		
Neck Masseur Pillow (incl 2 jets)	N/A	\$450		
Metallic Trim Kit PC, PB, SN, ORB	\$350	\$600		
PUMPS				
1.25 AP variable speed	Incl.	Incl.		
3.25 Hydro Power 3 speed	N/A	Incl.		
Pump Location/Alternate*	Incl.	Incl.		
Custom Pump Location(s)*	\$180	\$180ea		
HEATER				
Heater Inline/Electric	N/A	Incl.		
HydroClean Sanitation System	N/A	\$495		
CONTROLS				
Air Switch on/off water pump	N/A	Incl.		
Electronic variable speed	Incl.	Incl.		
AROMATHERAPY FRAGRANCE SYSTEM				
Fragrance Refills			\$195	\$195
			\$16.95	\$16.95
HYDROCLEANSE WHIRLPOOL SYS CLNER				
			\$19.95	\$19.95
GRAB BAR				
Bolt on PB, PC, SN, WH, ALM, BISC			\$125 ea.	1-Incl.
Standard Grab Bars will be color coordinated to match whirlpool				
DRAIN KITS				
Lift N Turn PB, PC, SN, WH, ALM, BISC, ORB			Incl.	N/A
Deluxe Cable Drain PB, PC, SN, WH, ALM, BISC			\$250	Incl.
Standard drain colored to match whirlpool with ABS rough unless specified otherwise				
LIGHTS				
Mood Light			\$195	Incl.
Chromatherapy			\$395	\$395
PILLOW				
Deluxe Oval			Incl.	Incl.
STANDARD COLORS				
White Bone Almond Biscuit			Incl.	Incl.
Special Colors-refer to page 5			\$495	\$495
EZ LEVEL QUIET BASE				
			Incl.	Incl.
Rush order 72 hour manufacturing (contact factory)			\$495	\$495
Shipping Boxes			\$90	\$90