

Tranquility

60" x 32" x 20"

Silver Series \$1495

Gold Series \$2895

Platinum Series \$5300

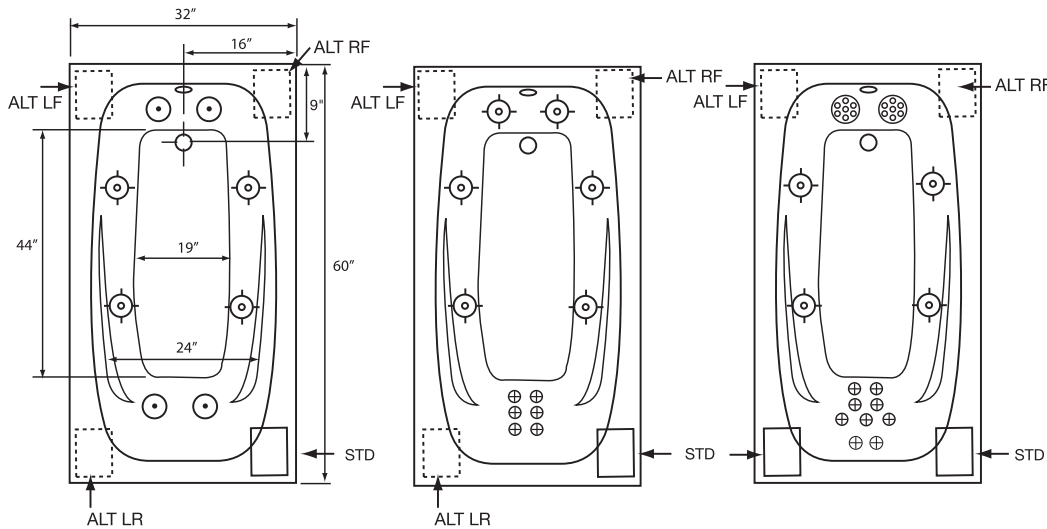
Soaking Tub \$850

#TS6032

#TG6032

#TP6032

#TTO6032



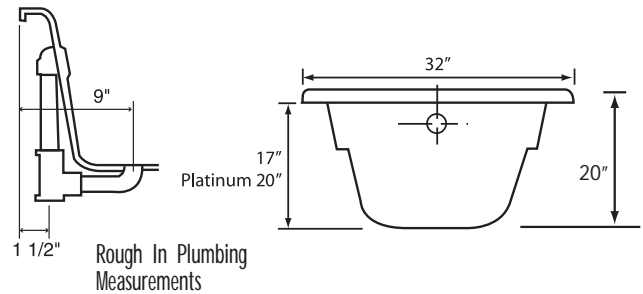
Equipment Legend

- Accu-Massage
- Micro Flow or Opt. Micromassage
- Ultra Flow or Optional Ultra Massage
- Sole Soother
- Neck Masseur Pillow
- Pump
- Alt. Pump
- Pump Access (18"x18" required)
*Some pump locations & plumbing may extend beyond perimeter of bath
- 22° Back Rest

Electrical Specifications

	Silver	Gold	Platinum
Pump Requirement			
115V 15AMP w/GFCI	1		2
115V 20AMP w/GFCI		1	
Inline Heater Requirement			
115V 15AMP w/GFCI	optional	1	1
Gallons to Overflow	54 gal/204L		
Gallons to Operate	30-54 gal		

NOTE: Specifications are $\pm 1/4"$, features and prices are subject to change without notice
All final measurements should be taken from tub on site



Features

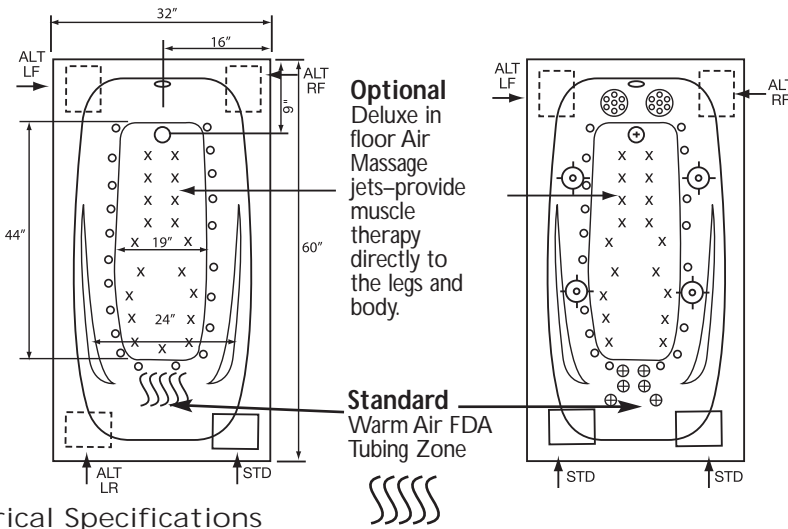
	Silver Series	Gold Series	Platinum Series		Silver Series	Gold Series	Platinum Series
JETS							
Total number of jets	8	12	15	Aromatherapy Fragrance System	\$195	\$195	\$195
Accu-Massage	N/A	6	9	Fragrance Refills	\$16.95	\$16.95	\$16.95
Micro Flow	4	N/A	N/A	Hydrocleanse Whirlpool Sys Clnr	\$19.95	\$19.95	\$19.95
Micro Massage (each)	\$40	\$40	N/A	GRAB BAR			
Ultra Flow	4	6	4	Bolt on PB, PC, SN, WH, ALM, BISC	\$125ea.	\$125ea.	2-Incl.
Ultra Massage (each)	\$50	\$50	\$50	Standard Grab Bars will be color coordinated to match whirlpool			
Sole Soother Seven (N/A in Metallic)	N/A	N/A	2	TILE FLANGE	\$175	\$175	\$175
Back Masseur System	N/A	Incl.	Incl.	DRAIN KITS			
Neck Masseur Pillow (incl 2 jets)	N/A	\$325	Incl.	Lift N Turn PB, PC, SN, WH, ALM, BISC, ORB	\$95	Incl.	N/A
Metallic Trim Kit PC, PB, SN, ORB	\$250	\$350	\$400	Deluxe Cable Drain PB, PC, SN, WH, ALM, BISC, ORB	\$250	\$250	Incl.
				Standard drain colored to match whirlpool with ABS rough unless specified otherwise			
PUMPS				LIGHTS			
2.25 Hydro Power 1 speed	Incl.	N/A	N/A	Mood Light	\$195	\$195	Incl.
2.25 Hydro Power 3 speed	\$250	N/A	2-Incl.	Chromatherapy	\$395	\$395	\$395
3.25 Hydro Power 3 speed	N/A	Incl.	N/A	PILLOW			
Alternate Pump Location*	Incl.	Incl.	Incl.	Deluxe Oval	\$80	Incl.	N/A
Custom Pump Location*	\$180	\$180	\$180	STANDARD COLORS			
				White Bone Almond Biscuit	Incl.	Incl.	Incl.
HEATER				Design Colors-refer to page 5	\$495	\$495	\$495
Heater Inline/Electric	\$395	Incl.	Incl.	EZ LEVEL QUIET BASE	N/A	\$300	Incl.
Hydro Clean Sanitation System	\$495	\$495	\$495	Alters deck height. Contact factory.			
CONTROLS				EZ LEVEL BARS	\$150	\$150	N/A
Air Switch on/off	Incl.	Incl.	N/A	Rush order 72 hour manufacturing (contact factory)	\$495	\$495	\$495
Air Switch with Digital Temp Readout	N/A	N/A	Incl.	Shipping Boxes	\$90	\$90	\$90

Tranquility

60" x 32" x 20"

Air Massage Series \$2995
#TA6032

Combination Series \$5600
#TC6032



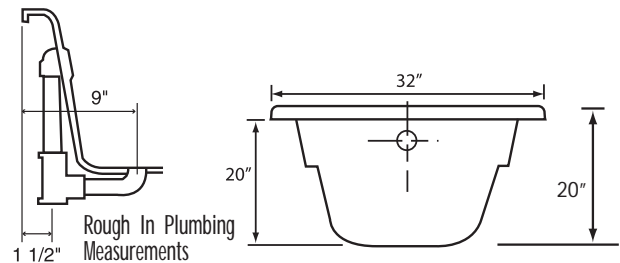
Equipment Legend

- X Optional deluxe in floor air massage jets
 - Turbo Air Jet
 - ⊕ Accu-Massage
 - Micro Flow or Optional Micromassage
 - ⊙ Ultra Flow or Optional Ultra Massage
 - ⊙ Sole Soother
 - ⊕ Neck Masseur Pillow
 - Pump
 - Alt. Pump
 - Heated FDA Tubing Zone
- Pump Access (18"x18" required)
*Some pump locations & plumbing may extend beyond perimeter of bath

Electrical Specifications

	Air Massage	Combination
Pump Requirement		
115V 15AMP w/GFCI	1	1
115V 20AMP w/GFCI		1
Inline Heater Requirement		
115V 15AMP w/GFCI		1
Gallons to Overflow	54 gal/204L	
Gallons to Operate	30-54 gal	

NOTE: Specifications are $\pm 1/4"$ and features are subject to change without notice
All final measurements should be taken from tub on site



Features

	Air Massage Series	Combination Series		Air Massage Series	Combination Series
JETS					
Total number of jets	18	30	AROMATHERAPY FRAGRANCE SYSTEM	\$195	\$195
Deluxe air systems	\$995	\$995	Fragrance Refills	\$16.95	\$16.95
Accu-Massage	N/A	6	HYDROCLEANSE WHIRLPOOL SYS CLNER	\$19.95	\$19.95
Micro Flow	N/A	N/A	GRAB BAR		
Micro Massage (each)	N/A	N/A	Bolt on PB, PC, SN, WH, ALM, BISC	\$125ea.	2-Incl.
Ultra Flow	N/A	4	Standard Grab Bars will be color coordinated to match whirlpool		
Ultra Massage (each)	N/A	\$50	TILE FLANGE	\$175	\$175
Sole Soother Seven (N/A in Metallic)	N/A	2	DRAIN KITS		
Back Masseur System	N/A	Incl.	Lift N Turn PB, PC, SN, WH, ALM, BISC, ORB	Incl.	N/A
Neck jets	N/A	\$325	Deluxe Cable Drain PB, PC, SN, WH, ALM, BISC, ORB	\$250	Incl.
Metallic Trim Kit PC, PB, SN, ORB	\$350	\$600	Standard drain colored to match whirlpool with ABS rough unless specified otherwise		
PUMPS					
1.25 AP variable speed	Incl.	Incl.	LIGHTS		
3.25 Hydro Power 3 speed	N/A	Incl.	Mood Light	\$195	Incl.
Pump Location/Alternate*	Incl.	Incl.	Chromatherapy	\$395	\$395
Custom Pump Location*	\$180	\$180	PILLOW		
HEATER					
Heater Inline/Electric	N/A	Incl.	Deluxe Oval	Incl.	Incl.
HydroClean Sanitation System	N/A	\$495	STANDARD COLORS		
CONTROLS					
Air Switch on/off water pump	N/A	Incl.	White Bone Almond Biscuit	Incl.	Incl.
Electronic variable speed	Incl.	Incl.	Design Colors-refer to page 5	\$495	\$495
			EZ LEVEL QUIET BAR	Incl.	Incl.
			Rush order 72 hour manufacturing (contact factory)	\$495	\$495
			Shipping Boxes	\$90	\$90