

Venetian 6

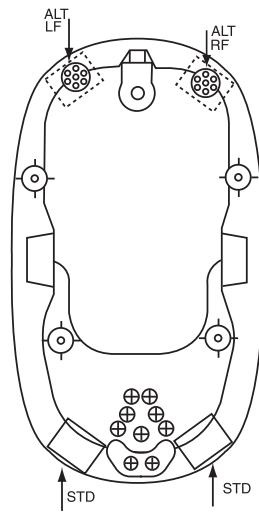
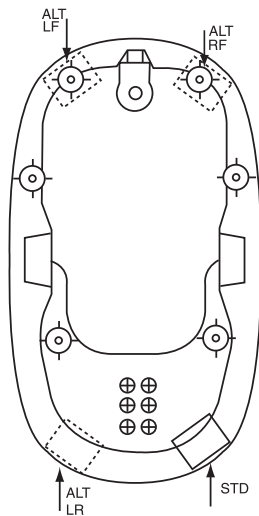
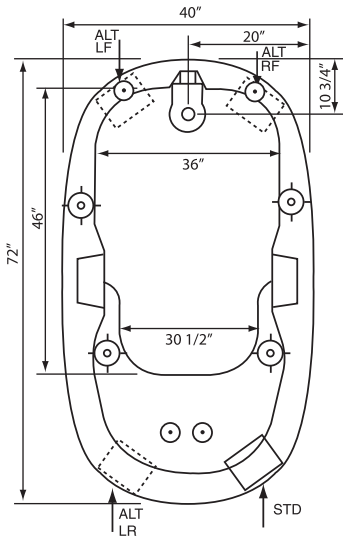
72" x 42" x 29"

Silver Series \$2750
#VS7242

Gold Series \$3395
#VG7242

Platinum Series \$5695
#VP7242

Soaking Tub \$1875
#VTO7242



Equipment Legend

- Accu-Massage
- Micro Flow or Opt. Micromassage
- Ultra Flow or Optional Ultra Massage
- Sole Soother
- Neck Masseur Pillow
- Pump Alt. Pump
- Pump Access (18"x18" required)
*Some pump locations & plumbing may extend beyond perimeter of bath
- 25° Back Rest

Electrical Specifications

Pump Requirement

115V 15AMP w/GFCI

115V 20AMP w/GFCI

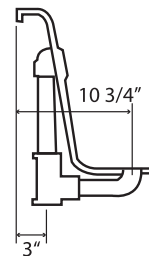
Inline Heater Requirement

115V 15AMP w/GFCI

	Silver	Gold	Platinum
Pump Requirement	1	1	2
Inline Heater Requirement	optional	1	1

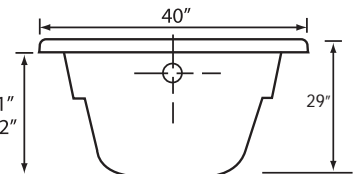
Gallons to Overflow 90 gal
Gallons to Operate 75-90 gal

NOTE: Specifications are $\pm 1/4"$ and features are subject to change without notice
All final measurements should be taken from tub on site



Rough In Plumbing Measurements

Silver/Gold 21"
Platinum 23 1/2"



Features

JETS

	Silver Series	Gold Series	Platinum Series
Total number of jets	8	12	15
Accu-Massage	N/A	6	9
Micro Flow	4	N/A	N/A
Micro Massage (each)	\$40	\$40	N/A
Ultra Flow	4	6	4
Ultra Massage (each)	\$50	\$50	\$50
Sole Soother Seven (N/A in Metallic)	N/A	N/A	2
Back Masseur System	N/A	Incl.	Incl.
Neck Masseur Pillow (incl 2 jets)	N/A	\$450	Incl.
Metallic Trim Kit PC, PB, SN, ORB	\$250	\$300	\$400

PUMPS

2.25 Hydro Power 1 speed	Incl.	N/A	N/A
2.25 Hydro Power 3 speed	\$250	N/A	2-Incl.
3.25 Hydro Power 3 speed	N/A	Incl.	N/A
Alternate Pump Location*	Incl.	Incl.	Incl.
Custom Pump Location(s)*	\$180	\$180	\$180ea

HEATER

Heater Inline/Electric	\$395	Incl.	Incl.
Hydro Clean Sanitation System	\$495	\$495	\$495

CONTROLS

Air Switch on/off	Incl.	Incl.	N/A
-------------------	-------	-------	-----

Aromatherapy Fragrance System

Fragrance Refills	\$195	\$195	\$195
Hydrocleanse Whirlpool Sys Clnr	\$19.95	\$19.95	\$19.95

GRAB BAR

Bolt on PB, PC, SN, WH, ALM, BISC	\$125ea	\$125ea	2-Incl.
Standard Grab Bars will be color coordinated to match whirlpool			

DRAIN KITS

Lift N Turn PB, PC, SN, WH, ALM, BISC, ORB	\$95	Incl.	N/A
Deluxe Cable Drain PB, PC, SN, WH, ALM, BISC, ORB	\$250	\$250	Incl.
Standard drain colored to match whirlpool with ABS rough unless specified otherwise			

LIGHTS

Mood Light	\$195	\$195	Incl.
Chromatherapy	\$395	\$395	\$395

PILLOW

Deluxe Oval	\$80	Incl.	N/A
-------------	------	-------	-----

STANDARD COLORS

White Bone Almond Biscuit	Incl.	Incl.	Incl.
Design Colors-refer to page 5	\$495	\$495	\$495

EZ LEVEL QUIET BASE

Alters deck height. Contact factory.	N/A	\$300	Incl.
--------------------------------------	-----	-------	-------

EZ LEVEL BARS

Rush order 72 hour manufacturing (contact factory)	\$150	\$150	\$150
Shipping Boxes	\$495	\$495	\$495

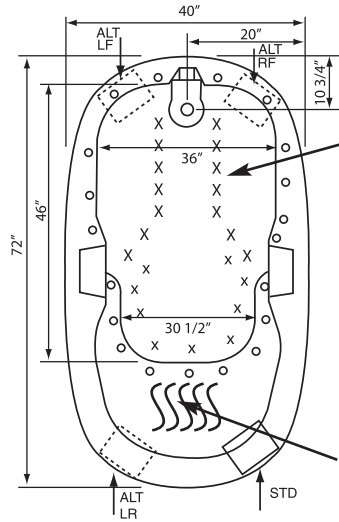
	\$90	\$90	\$90
--	------	------	------

Venetian 6

72" x 42" x 29"

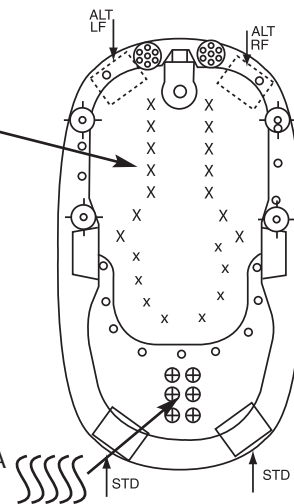
Air Massage Series \$3550
#VA7242

Combination Series \$5995
#VC7242



Optional Deluxe in floor Air Massage jets—provide muscle therapy directly to the legs and body.

Standard Warm Air FDA Tubing Zone



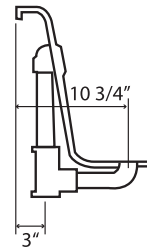
Equipment Legend

- X Optional deluxe in floor air massage jets
 - Turbo Air Jet
 - ⊕ Accu-Massage
 - Micro Flow or Optional Micromassage
 - ⊙ Ultra Flow or Optional Ultra Massage
 - ⊗ Sole Soother
 - ⊕ Neck Masseur Pillow
 - Pump
 - ⊖ Alt. Pump
 - Heated FDA Tubing Zone
 - ~~~~~
- Pump Access (18"x18" required)
*Some pump locations & plumbing may extend beyond perimeter of bath

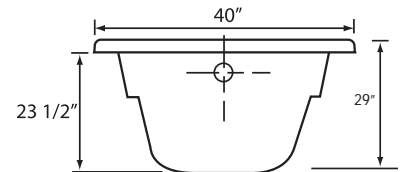
Electrical Specifications

	Air Massage	Combination
Pump Requirement		
115V 15AMP w/GFCI	1	1
115V 20AMP w/GFCI		1
Inline Heater Requirement		
115V 15AMP w/GFCI		1
Gallons to Overflow	90 gal	
Gallons to Operate	75-90 gal	

NOTE: Specifications are ± 1/4" and features are subject to change without notice
All final measurements should be taken from tub on site



Rough In Plumbing Measurements



Features

	Air Massage Series	Combination Series		Air Massage Series	Combination Series	
JETS						
Total number of jets	18	30	AROMATHERAPY FRAGRANCE SYSTEM	\$195	\$195	
Deluxe air systems	\$995	\$995	Fragrance Refills	\$16.95	\$16.95	
Accu-Massage	N/A	6	HYDROCLEANSE WHIRLPOOL SYS CLNER	\$19.95	\$19.95	
Micro Flow	N/A	N/A	GRAB BAR			
Micro Massage (each)	N/A	N/A	Bolt on PB, PC, SN, WH, ALM, BISC	\$125ea	2-Incl.	
Ultra Flow	N/A	4	Standard Grab Bars will be color coordinated to match whirlpool			
Ultra Massage (each)	N/A	\$50	DRAIN KITS			
Sole Soother Seven (N/A in Metallic)	N/A	2 Incl.	Lift N Turn PC, PB, SN, WH, ALM, BISC, ORB	Incl.	N/A	
Back Masseur System	N/A	Incl.	Deluxe Cable Drain PB, PC, SN, WH, ALM, BISC, ORB	\$250	Incl.	
Neck Masseur Pillow (incl 2 jets)	N/A	\$450	Standard drain colored to match whirlpool with ABS rough unless specified otherwise			
Metallic Trim Kit PC, PB, SN, ORB	\$350	\$600	LIGHTS			
PUMPS						
1.25 AP variable speed	Incl.	Incl.	Mood Light	\$195	Incl.	
3.25 Hydro Power 3 speed	N/A	Incl.	Chromatherapy	\$395	\$395	
Pump Location/Alternate*	Incl.	Incl.	PILLOW			
Custom Pump Location(s)*	\$180	\$180ea	Deluxe Oval	Incl.	Incl.	
HEATER						
Heater Inline/Electric	N/A	Incl.	STANDARD COLORS			
HydroClean Sanitation System	N/A	\$495	White Bone Almond Biscuit	Incl.	Incl.	
CONTROLS						
Air Switch on/off water pump	N/A	Incl.	Special Colors-refer to page 5	\$495	\$495	
Electronic variable speed	Incl.	Incl.	EZ LEVEL QUIET BASE	Incl.	Incl.	
				Rush order 72 hour manufacturing (contact factory)	\$495	\$495
				Shipping Boxes	\$90	\$90