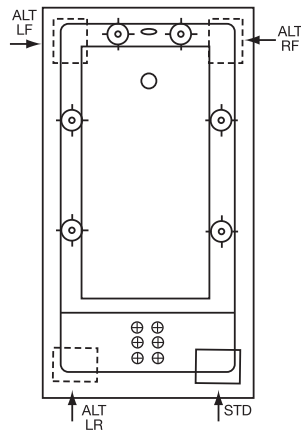
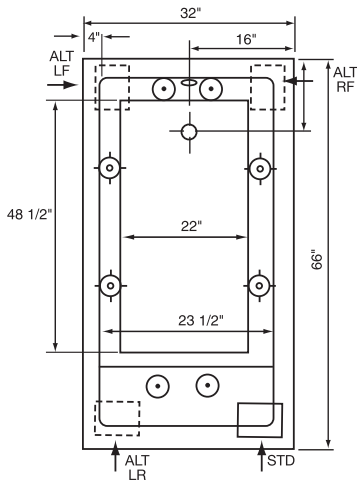


# Zen 5.532

66" x 32" x 22"

<b>Silver Series \$2750</b> #ZS6632	<b>Gold Series \$3550</b> #ZG6632	<b>Soaking Tub \$1495</b> #ZTO6632
--	--------------------------------------	---------------------------------------



## Equipment Legend

- Accu-Massage
- Micro Flow or Opt. Micromassage
- Ultra Flow or Optional Ultra Massage
- Sole Soother
- Neck Masseur Pillow
- Pump  Alt. Pump
- Pump Access (18"x18" required)  
\*Some pump locations & plumbing may extend beyond perimeter of bath
- 42° Back Rest

## Electrical Specifications

### Pump Requirement

115V 15AMP w/GFCI

115V 20AMP w/GFCI

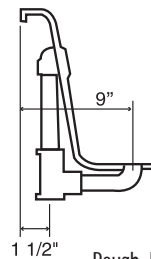
### Inline Heater Requirement

115V 15AMP w/GFCI

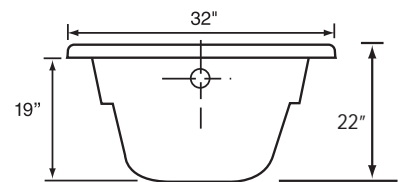
Gallons to Overflow 77 gal  
 Gallons to Operate 65 gal  
 Weight 160 lbs.

	Silver	Gold
Pump Requirement	1	1
Inline Heater Requirement	optional	1

NOTE: Specifications are  $\pm 1/4"$ , features and prices are subject to change without notice  
 All final measurements should be taken from tub on site



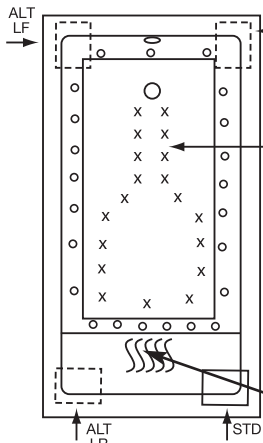
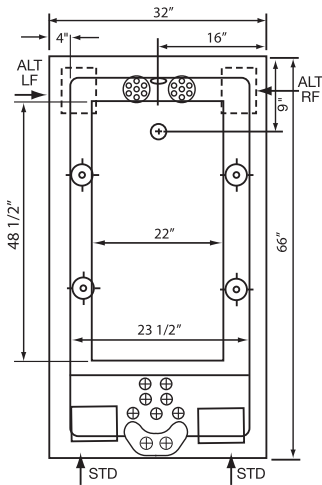
Rough In Plumbing Measurements



## Features

	Silver Series	Gold Series		Silver Series	Gold Series
<b>JETS</b>					
Total number of jets	8	12	<b>Aromatherapy Fragrance System</b>	\$195	\$195
Accu-Massage	N/A	6	Fragrance Refills	\$16.95	\$16.95
Micro Flow	4	N/A	<b>Hydrocleanse Whirlpool Sys Clnr</b>	\$19.95	\$19.95
Micro Massage (each)	\$40	\$40	<b>GRAB BAR</b>		
Ultra Flow	4	6	Bolt on PB, PC, SN, WH, ALM, BISC	\$125ea.	\$125ea.
Ultra Massage (each)	\$50	\$50	Standard Grab Bars will be color coordinated to match whirlpool		
Sole Soother Seven (N/A in Metallic)	N/A	N/A	<b>TILE FLANGE</b>	\$175	\$175
Back Masseur System	N/A	Incl.	<b>DRAIN KITS</b>		
Neck Masseur Pillow (incl 2 jets)	N/A	\$450	Lift N Turn PB, PC, SN, WH, ALM, BISC, ORB	\$95	Incl.
Metallic Trim Kit PC, PB, SN, ORB	\$250	\$350	Deluxe Cable Drain PB, PC, SN, WH, ALM, BISC, ORB	\$250	\$250
<b>PUMPS</b>					
2.25 Hydro Power 1 speed	Incl.	N/A	Standard drain colored to match whirlpool with ABS rough unless specified otherwise		
2.25 Hydro Power 3 speed	\$250	N/A	<b>LIGHTS</b>		
3.25 Hydro Power 3 speed	N/A	Incl.	Mood Light	\$195	\$195
Alternate Pump Location*	Incl.	Incl.	Chromatherapy	\$395	\$395
Custom Pump Location(s)*	\$180	\$180ea	<b>PILLOW</b>		
<b>HEATER</b>					
Heater Inline/Electric	\$395	Incl.	Deluxe Oval	\$80	Incl.
Hydro Clean Sanitation System	\$495	\$495	<b>STANDARD COLORS</b>		
<b>CONTROLS</b>					
Air Switch on/off	Incl.	Incl.	White Bone Almond Biscuit	Incl.	Incl.
			Design Colors-refer to page 5	\$495	\$495
			<b>EZ LEVEL QUIET BASE</b>	N/A	\$300
			Alters deck height. Contact factory.		
			<b>EZ LEVEL BARS</b>	\$150	\$150
			Rush order 72 hour manufacturing (contact factory)	\$495	\$495
			Shipping Boxes	\$90	\$90

**Platinum Series \$5575 #ZP6632    Air Massage Series \$3695 #ZA6632    Combination Series \$5695 #ZC6632**



**Optional Deluxe in floor Air Massage jets**—provide muscle therapy directly to the legs and body.

**Standard Warm Air FDA Tubing Zone**

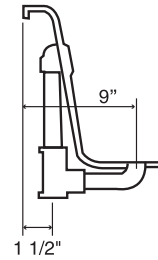
### Equipment Legend

- X Optional deluxe in floor air massage jets
  - Turbo Air Jet
  - ⊕ Accu-Massage
  - ⊙ Micro Flow or Optional Micromassage
  - ⊗ Ultra Flow or Optional Ultra Massage
  - ⊙ Sole Soother
  - ⊕ Neck Masseur Pillow
  - Pump
  - Alt. Pump
- Heated FDA Tubing Zone
- Pump Access (18"x18" required)  
\*Some pump locations & plumbing may extend beyond perimeter of bath

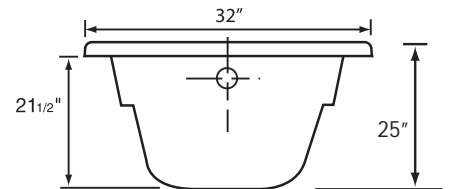
### Electrical Specifications

	Platinum	Air Massage	Combination
<b>Pump Requirement</b>			
115V 15AMP w/GFCI	2	1	1
115V 20AMP w/GFCI			1
<b>Inline Heater Requirement</b>			
115V 15AMP w/GFCI	1		1
Gallons to Overflow	77 gal		
Gallons to Operate	65 gal		
Weight	180 lbs.		

NOTE: Specifications are ± 1/4", features and prices are subject to change without notice  
All final measurements should be taken from tub on site



Rough In Plumbing Measurements



### Features

	Platinum Series	Air Massage Series	Combination Series	Platinum Series	Air Massage Series	Combination Series
<b>JETS</b>						
Total number of jets	15	18	30			
Deluxe air systems	N/A	\$995	\$995			
Accu-Massage	9	N/A	6			
Micro Flow	N/A	N/A	N/A			
Micro Massage (each)	N/A	N/A	N/A			
Ultra Flow	4	N/A	4			
Ultra Massage (each)	\$50	N/A	\$50			
Sole Soother Seven (N/A in Metallic)	2	N/A	2			
Back Masseur System	Incl.	N/A	Incl.			
Neck Masseur Pillow (incl 2 jets)	Incl.	N/A	\$450			
Metallic Trim Kit PC, PB, SN, ORB	\$400	\$350	\$600			
<b>PUMPS</b>						
1.25 AP variable speed	N/A	Incl.	Incl.			
2.25 Hydro Power 3 speed	2 Incl.	N/A	N/A			
3.25 Hydro Power 3 speed	N/A	N/A	Incl.			
Pump Location/Alternate*	Incl.	Incl.	Incl.			
Custom Pump Location(s)*	\$180	\$180	\$180ea			
<b>HEATER</b>						
Heater Inline/Electric	Incl.	N/A	Incl.			
HydroClean Sanitation System	\$495	N/A	\$495			
<b>CONTROLS</b>						
Air Switch on/off water pump	N/A	N/A	Incl.			
Electronic variable speed	Incl.	Incl.	Incl.			
<b>AROMATHERAPY FRAGRANCE SYSTEM</b>						
Fragrance Refills				\$195	\$195	\$195
				\$16.95	\$16.95	\$16.95
<b>HYDROCLEANSE WHIRLPOOL SYS CLNER</b>				\$19.95	\$19.95	\$19.95
<b>GRAB BAR</b>						
Bolt on PB, PC, SN, WH, ALM, BISC	2-Incl.	\$125ea.	2-Incl.			
Standard Grab Bars will be color coordinated to match whirlpool						
<b>TILE FLANGE</b>				\$175	\$175	\$175
<b>DRAIN KITS</b>						
Lift N Turn PB, PC, SN, WH, ALM, BISC, ORB	N/A	Incl.	N/A			
Deluxe Cable Drain PB, PC, SN, WH, ALM, BISC, ORB	Incl.	\$250	Incl.			
Standard drain colored to match whirlpool with ABS rough unless specified otherwise						
<b>LIGHTS</b>						
Mood Light	Incl.	\$195	Incl.			
Chromatherapy	\$395	\$395	\$395			
<b>PILLOW</b>						
Deluxe Oval	N/A	Incl.	Incl.			
<b>STANDARD COLORS</b>						
White Bone Almond Biscuit	Incl.	Incl.	Incl.			
Special Colors-refer to page 5	\$495	\$495	\$495			
<b>EZ LEVEL QUIET BASE</b>						
Rush order 72 hour manufacturing (contact factory)	\$495	\$495	\$495			
Shipping Boxes	\$90	\$90	\$90			