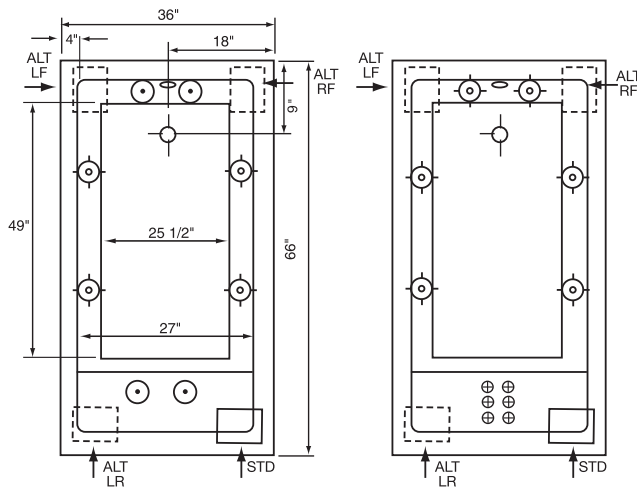


# Zen 5.536

66" x 36" x 22"

<b>Silver Series \$2850</b> #ZS6636	<b>Gold Series \$3750</b> #ZG6636	<b>Soaking Tub \$1595</b> #ZTO6636
----------------------------------------	--------------------------------------	---------------------------------------



### Equipment Legend

- Accu-Massage
- Micro Flow or Opt. Micromassage
- Ultra Flow or Optional Ultra Massage
- Sole Soother
- Neck Masseur Pillow
- Pump
- Alt. Pump
- Pump Access (18"x18" required)  
\*Some pump locations & plumbing may extend beyond perimeter of bath
- 42° Back Rest

### Electrical Specifications

#### Pump Requirement

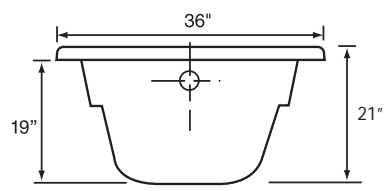
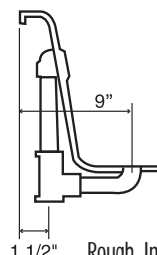
115V 15AMP w/GFCI  
115V 20AMP w/GFCI

#### Inline Heater Requirement

115V 15AMP w/GFCI

Gallons to Overflow 90 gal  
Gallons to Operate 78 gal  
Weight 185 lbs.

	Silver	Gold
Pump Requirement	1	1
Inline Heater Requirement	optional	1



NOTE: Specifications are  $\pm 1/4"$ , features and prices are subject to change without notice  
All final measurements should be taken from tub on site

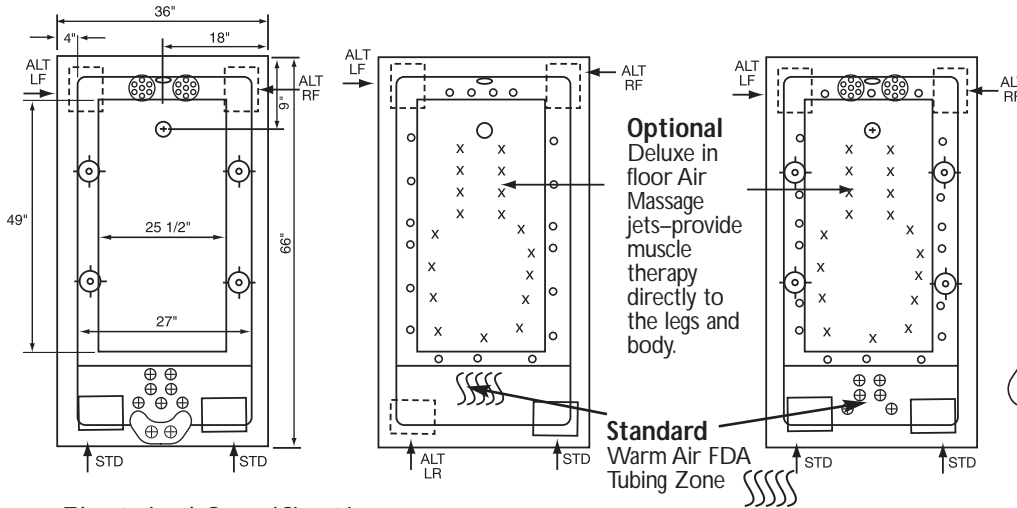
## Features

	Silver Series	Gold Series	Silver Series	Gold Series
<b>JETS</b>				
Total number of jets	8	12		
Accu-Massage	N/A	6		
Micro Flow	4	N/A		
Micro Massage (each)	\$40	\$40		
Ultra Flow	4	6		
Ultra Massage (each)	\$50	\$50		
Sole Soother Seven (N/A in Metallic)	N/A	N/A		
Back Masseur System	N/A	Incl.		
Neck Masseur Pillow (incl 2 jets)	N/A	\$450		
Metallic Trim Kit PC, PB, SN, ORB	\$250	\$350		
<b>PUMPS</b>				
2.25 Hydro Power 1 speed	Incl.	N/A		
2.25 Hydro Power 3 speed	\$250	N/A		
3.25 Hydro Power 3 speed	N/A	Incl.		
Alternate Pump Location*	Incl.	Incl.		
Custom Pump Location(s)*	\$180	\$180		
<b>HEATER</b>				
Heater Inline/Electric	\$395	Incl.		
Hydro Clean Sanitation System	\$495	\$495		
<b>CONTROLS</b>				
Air Switch on/off	Incl.	Incl.		
<b>Aromatherapy Fragrance System</b>				
Fragrance Refills			\$195	\$195
Hydrocleanse Whirlpool Sys Clnr			\$16.95	\$16.95
			\$19.95	\$19.95
<b>GRAB BAR</b>				
Bolt on PB, PC, SN, WH, ALM, BISC			\$125ea.	\$125ea.
Standard Grab Bars will be color coordinated to match whirlpool				
<b>TILE FLANGE</b>				
			\$175	\$175
<b>DRAIN KITS</b>				
Lift N Turn PB, PC, SN, WH, ALM, BISC, ORB			\$95	Incl.
Deluxe Cable Drain PB, PC, SN, WH, ALM, BISC, ORB			\$250	\$250
Standard drain colored to match whirlpool with ABS rough unless specified otherwise				
<b>LIGHTS</b>				
Mood Light			\$195	\$195
Chromatherapy			\$395	\$395
<b>PILLOW</b>				
Deluxe Oval			\$80	Incl.
<b>STANDARD COLORS</b>				
White Bone Almond Biscuit			Incl.	Incl.
Design Colors-refer to page 5			\$495	\$495
<b>EZ LEVEL QUIET BASE</b>				
Alters deck height. Contact factory.			N/A	\$300
<b>EZ LEVEL BARS</b>				
Rush order 72 hour manufacturing			\$150	\$150
(contact factory)			\$495	\$495
Shipping Boxes			\$90	\$90

# Zen 5.536

66" x 36" x 25"

**Platinum Series \$5650 #ZP6636**    **Air Massage Series \$3725 #ZA6636**    **Combination Series \$5795 #ZC6636**



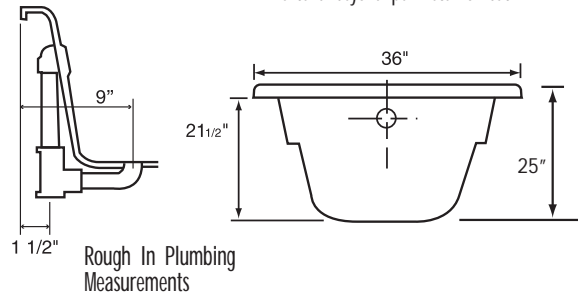
## Equipment Legend

- X Optional deluxe in floor air massage jets
  - Turbo Air Jet
  - ⊕ Accu-Massage
  - ⊙ Micro Flow or Optional Micromassage
  - ⊗ Ultra Flow or Optional Ultra Massage
  - ⊙ Sole Soother
  - ⊕ Neck Masseur Pillow
  - Pump    □ Alt. Pump
  - Pump Access (18"x18" required)  
\*Some pump locations & plumbing may extend beyond perimeter of bath
- Heated FDA Tubing Zone

## Electrical Specifications

	Platinum	Air Massage	Combination
<b>Pump Requirement</b>			
115V 15AMP w/GFCI	2	1	1
115V 20AMP w/GFCI			1
<b>Inline Heater Requirement</b>			
115V 15AMP w/GFCI	1		1
Gallons to Overflow	90 gal		
Gallons to Operate	78 gal		
Weight	185 lbs.		

NOTE: Specifications are ± 1/4", features and prices are subject to change without notice  
All final measurements should be taken from tub on site



## Features

	Platinum Series	Air Massage Series	Combination Series	Platinum Series	Air Massage Series	Combination Series
<b>JETS</b>						
Total number of jets	15	18	30			
Deluxe air systems	N/A	\$995	\$995			
Accu-Massage	9	N/A	6			
Micro Flow	N/A	N/A	N/A			
Micro Massage (each)	N/A	N/A	N/A			
Ultra Flow	4	N/A	4			
Ultra Massage (each)	\$50	N/A	\$50			
Sole Soother Seven (N/A in Metallic)	2	N/A	2-Incl.			
Back Masseur System	Incl.	N/A	Incl.			
Neck Masseur Pillow (incl 2 jets)	Incl.	N/A	\$450			
Metallic Trim Kit PC, PB, SN, ORB	\$400	\$350	\$600			
<b>PUMPS</b>						
1.25 AP variable speed	N/A	Incl.	Incl.			
2.25 Hydro Power 3 speed	2 Incl.	N/A	N/A			
3.25 Hydro Power 3 speed	N/A	N/A	Incl.			
Pump Location/Alternate*	Incl.	Incl.	Incl.			
Custom Pump Location(s)*	\$180	\$180	\$180ea			
<b>HEATER</b>						
Heater Inline/Electric	Incl.	N/A	Incl.			
HydroClean Sanitation System	\$495	N/A	\$495			
<b>CONTROLS</b>						
Air Switch on/off water pump	N/A	N/A	Incl.			
Electronic variable speed	Incl.	Incl.	Incl.			
<b>AROMATHERAPY FRAGRANCE SYSTEM</b>						
Fragrance Refills		\$195	\$195		\$16.95	\$16.95
<b>HYDROCLEANSE WHIRLPOOL SYS CLNER</b>		\$19.95	\$19.95			
<b>GRAB BAR</b>						
Bolt on PB, PC, SN, WH, ALM, BISC	2-Incl.	\$125ea.	2-Incl.			
Standard Grab Bars will be color coordinated to match whirlpool						
<b>TILE FLANGE</b>		\$175	\$175		\$175	\$175
<b>DRAIN KITS</b>						
Lift N Turn PB, PC, SN, WH, ALM, BISC, ORB	N/A	Incl.	N/A			
Deluxe Cable Drain PB, PC, SN, WH, ALM, BISC, ORB	Incl.	\$250	Incl.			
Standard drain colored to match whirlpool with ABS rough unless specified otherwise						
<b>LIGHTS</b>						
Mood Light	Incl.	\$195	Incl.		\$195	\$195
Chromatherapy	\$395	\$395	\$395			
<b>PILLOW</b>						
Deluxe Oval	N/A	Incl.	Incl.			
<b>STANDARD COLORS</b>						
White Bone Almond Biscuit	Incl.	Incl.	Incl.			
Special Colors-refer to page 5	\$495	\$495	\$495			
<b>EZ LEVEL QUIET BASE</b>						
Rush order 72 hour manufacturing (contact factory)	Incl.	Incl.	Incl.			
Shipping Boxes	\$495	\$495	\$495		\$90	\$90