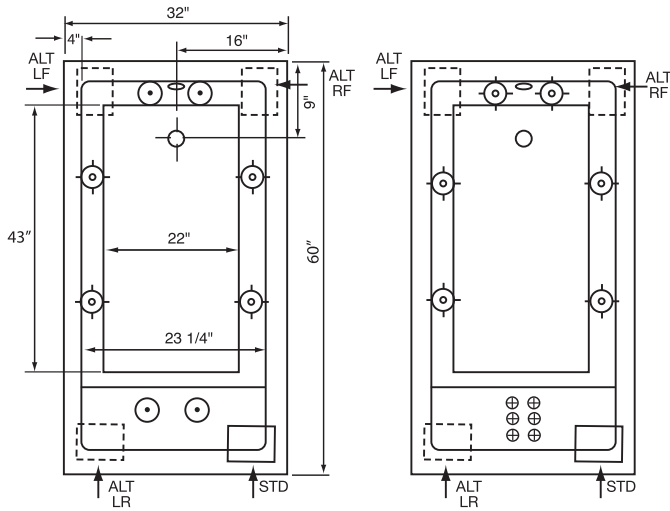


Zen 532

60" x 32" x 22"

Silver Series \$2595 #ZS6032	Gold Series \$3495 #ZG6032	Soaking Tub \$1495 #ZTO6032
--	--------------------------------------	---------------------------------------



Equipment Legend

- Accu-Massage
- Micro Flow or Opt. Micromassage
- Ultra Flow or Optional Ultra Massage
- Sole Soother
- Neck Masseur Pillow
- Pump Alt. Pump
- Pump Access (18"x18" required)
*Some pump locations & plumbing may extend beyond perimeter of bath
- 42° Back Rest

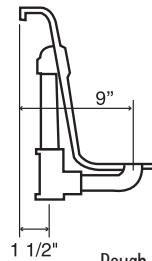
Electrical Specifications

- Pump Requirement**
 115V 15AMP w/GFCI
 115V 20AMP w/GFCI
Inline Heater Requirement
 115V 15AMP w/GFCI

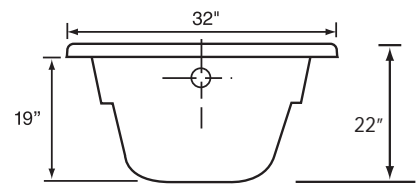
Gallons to Overflow	69 gal
Gallons to Operate	57 gal
Weight	160 lbs.

NOTE: Specifications are $\pm 1/4"$, features and prices are subject to change without notice
 All final measurements should be taken from tub on site

Silver	Gold
1	1
optional	1



Rough In Plumbing Measurements



Features

	Silver Series	Gold Series		Silver Series	Gold Series
JETS					
Total number of jets	8	12		\$195	\$195
Accu-Massage	N/A	6		\$16.95	\$16.95
Micro Flow	4	N/A		\$19.95	\$19.95
Micro Massage (each)	\$40	\$40			
Ultra Flow	4	6			
Ultra Massage (each)	\$50	\$50			
Sole Soother Seven (N/A in Metallic)	N/A	N/A			
Back Masseur System	N/A	Incl.			
Neck Masseur Pillow (incl 2 jets)	N/A	\$450			
Metallic Trim Kit PC, PB, SN, ORB	\$250	\$350			
PUMPS					
1.25 Hydro Power 1 speed	N/A	N/A			
2.25 Hydro Power 1 speed	Incl.	N/A			
2.25 Hydro Power 3 speed	\$350	N/A			
3.25 Hydro Power 3 speed	N/A	Incl.			
Alternate Pump Location*	Incl.	Incl.			
Custom Pump Location*	\$180	\$180			
HEATER					
Heater Inline/Electric	\$395	Incl.			
Hydro Clean Sanitation System	\$495	\$495			
CONTROLS					
Air Switch on/off	Incl.	Incl.			
Aromatherapy Fragrance System					
Fragrance Refills				\$195	\$195
Hydrocleanse Whirlpool Sys Clnr					
GRAB BAR				\$125ea.	\$125ea.
Bolt on PB, PC, SN, WH, ALM, BISC					
Standard Grab Bars will be color coordinated to match whirlpool					
TILE FLANGE					
				\$175	\$175
DRAIN KITS					
Lift N Turn PB, PC, SN, WH, ALM, BISC, ORB				\$95	Incl.
Deluxe Cable Drain PB, PC, SN, WH, ALM, BISC, ORB				\$250	\$250
Standard drain colored to match whirlpool with ABS rough unless specified otherwise					
LIGHTS					
Mood Light				\$195	\$195
Chromatherapy				\$395	\$395
PILLOW					
Deluxe Oval				\$80	Incl.
STANDARD COLORS					
White Bone Almond Biscuit				Incl.	Incl.
Design Colors-refer to page 5				\$495	\$495
EZ LEVEL QUIET BASE					
Alters deck height. Contact factory.				N/A	\$300
EZ LEVEL BARS					
Rush order 72 hour manufacturing (contact factory)				\$150	\$150
Shipping Boxes				\$495	\$495
				\$90	\$90

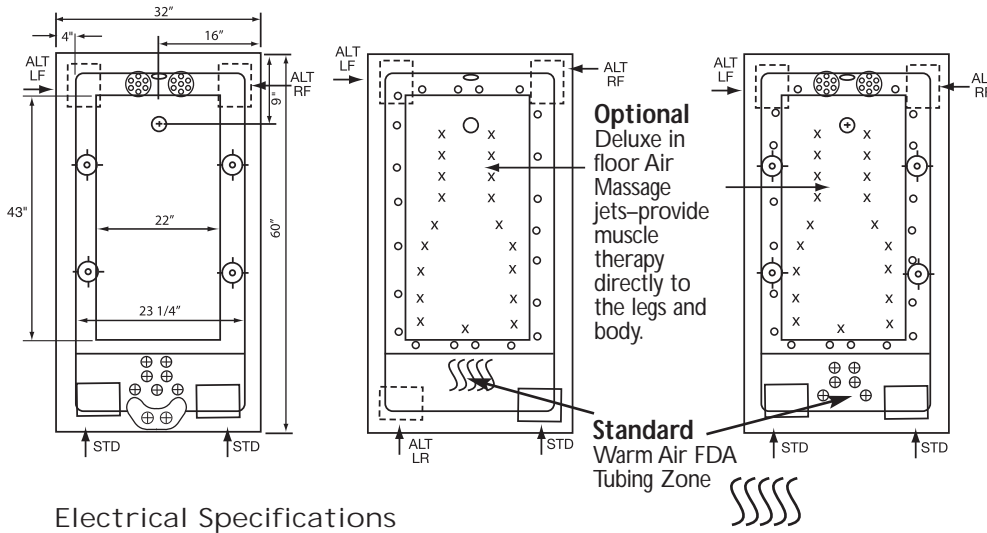
Zen 532

60" x 32" x 25"

Platinum Series \$5495
#ZP6032

Air Massage Series \$3650
#ZA6032

Combination Series \$5745
#ZC6032



Equipment Legend

- X Optional deluxe in floor air massage jets
 - Turbo Air Jet
 - ⊕ Accu-Massage
 - ⊙ Micro Flow or Optional Micromassage
 - ⊗ Ultra Flow or Optional Ultra Massage
 - ⊙ Sole Soother
 - ⊕ Neck Masseur Pillow
 - Pump
 - Alt. Pump
 - Pump Access (18"x18" required)
*Some pump locations & plumbing may extend beyond perimeter of bath
- Heated FDA Tubing Zone

Electrical Specifications

Pump Requirement

115V 15AMP w/GFCI

115V 20AMP w/GFCI

Inline Heater Requirement

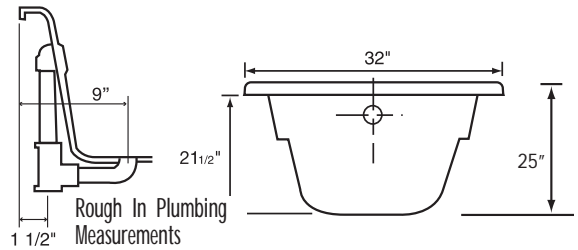
115V 15AMP w/GFCI

Gallons to Overflow 69 gal
Gallons to Operate 57 gal
Weight 160 lbs.

NOTE: Specifications are ± 1/4", features and prices are subject to change without notice
All final measurements should be taken from tub on site

Platinum Air Massage Combination

2	1	1
		1
1		1



Features

	Platinum Series	Air Massage Series	Combination Series		Platinum Series	Air Massage Series	Combination Series
JETS				AROMATHERAPY FRAGRANCE SYSTEM			
Total number of jets	15	18	30	Fragrance Refills	\$195		\$195
Deluxe air systems	N/A	\$995	\$995		\$16.95		\$16.95
Accu-Massage	9	N/A	6	HYDROCLEANSE WHIRLPOOL SYS CLNER			
Micro Flow	N/A	N/A	N/A		\$19.95		\$19.95
Micro Massage (each)	N/A	N/A	N/A	GRAB BAR			
Ultra Flow	4	N/A	4	Bolt on PB, PC, SN, WH,	2-Incl.	\$125ea.	2-Incl.
Ultra Massage (each)	\$50	N/A	\$50	ALM, BISC			
Sole Soother Seven (N/A in Metallic)	2	N/A	2	Standard Grab Bars will be color coordinated to match whirlpool			
Back Masseur System	Incl.	N/A	Incl.	TILE FLANGE			
Neck Masseur Pillow (incl 2 jets)	Incl.	N/A	\$450		\$175	\$175	\$175
Metallic Trim Kit PC, PB, SN, ORB	\$400	\$350	\$600	DRAIN KITS			
PUMPS				Lift N Turn PB, PC, SN, WH,	N/A	Incl.	N/A
1.25 AP variable speed	N/A	Incl.	Incl.	ALM, BISC, ORB			
2.25 Hydro Power 3 speed	2 Incl.	N/A	N/A	Deluxe Cable Drain PB, PC,	Incl.	\$250	Incl.
3.25 Hydro Power 3 speed	N/A	N/A	Incl.	SN, WH, ALM, BISC, ORB			
Pump Location/Alternate*	Incl.	Incl.	Incl.	Standard drain colored to match whirlpool with ABS rough unless specified otherwise			
Custom Pump Location*	\$180	\$180	\$180	LIGHTS			
HEATER				Mood Light	Incl.	\$195	Incl.
Heater Inline/Electric	Incl.	N/A	Incl.	Chromatherapy	\$395	\$395	\$395
HydroClean Sanitation System	\$495	N/A	\$495	PILLOW			
CONTROLS				Deluxe Oval	N/A	Incl.	Incl.
Air Switch on/off water pump	N/A	N/A	Incl.	STANDARD COLORS			
Electronic variable speed	Incl.	Incl.	Incl.	White Bone Almond Biscuit	Incl.	Incl.	Incl.
				Design Colors-refer to page 5	\$495	\$495	\$495
				EZ LEVEL QUIET BASE			
				Rush order 72 hour manufacturing (contact factory)	Incl.	Incl.	Incl.
				Shipping Boxes	\$90	\$90	\$90