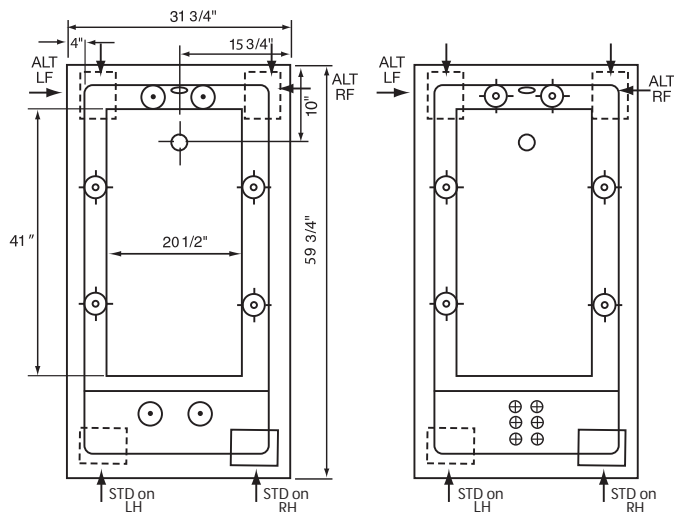


Zen 532SKTF Skirt & Tile Flange (Solid Skirt No Access Panel)

Zen 532TF Tile Flange

60" x 32" x 25"

Silver Series \$2650		Gold Series \$3650		Soaking Tub \$1395	
#ZS6032RHSKTF	#ZS6032LHSKTF	#ZG6032RHSKTF	#ZG6032LHSKTF	#ZT06032RHSKTF	#ZT06032LHSKTF
#ZS6032RHTF	#ZS6032LHTF	#ZG6032RHTF	#ZG6032LHTF	#ZT06032RHTF	#ZT06032LHTF



Equipment Legend

- Accu-Massage
- Micro Flow or Opt. Micromassage
- Ultra Flow or Optional Ultra Massage
- Sole Soother
- Neck Masseur Pillow
- Pump Alt. Pump
- Pump Access (18"x18" required)
*Some pump locations & plumbing may extend beyond perimeter of bath
- 42° Back Rest

Electrical Specifications

Pump Requirement

115V 15AMP w/GFCI
115V 20AMP w/GFCI

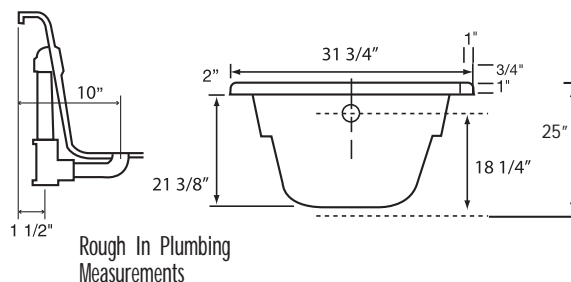
Inline Heater Requirement

115V 15AMP w/GFCI

Gallons to Overflow 69 gal
Gallons to Operate 57 gal
Weight 160 lbs.

	Silver	Gold
Pump Requirement	1	1
Inline Heater Requirement	optional	1

NOTE: Specifications are $\pm 1/4"$, features and prices are subject to change without notice
All final measurements should be taken from tub on site



Features

	Silver Series	Gold Series		Silver Series	Gold Series
JETS					
Total number of jets	8	12	Aromatherapy Fragrance System	\$195	\$195
Accu-Massage	N/A	6	Fragrance Refills	\$16.95	\$16.95
Micro Flow	4	N/A	Hydrocleanse Whirlpool Sys Clnr	\$19.95	\$19.95
Micro Massage (each)	\$40	\$40	GRAB BAR		
Ultra Flow	4	6	Bolt on PB, PC, SN, WH, ALM, BISC	\$125ea.	\$125ea.
Ultra Massage (each)	\$50	\$50	Standard Grab Bars will be color coordinated to match whirlpool		
Sole Soother Seven (N/A in Metallic)	N/A	N/A	TILE FLANGE	\$175	\$175
Back Masseur System	N/A	Incl.	DRAIN KITS		
Neck Masseur Pillow (incl 2 jets)	N/A	\$450	Lift N Turn PB, PC, SN, WH, ALM, BISC, ORB	\$95	Incl.
Metallic Trim Kit PC, PB, SN, ORB	\$250	\$350	Deluxe Cable Drain PB, PC, SN, WH, ALM, BISC, ORB	\$250	\$250
PUMPS					
1.25 Hydro Power 1 speed	N/A	N/A	Standard drain colored to match whirlpool with ABS rough unless specified otherwise		
2.25 Hydro Power 1 speed	Incl.	N/A	LIGHTS		
2.25 Hydro Power 3 speed	\$350	N/A	Mood Light	\$195	\$195
3.25 Hydro Power 3 speed	N/A	Incl.	Chromatherapy	\$395	\$395
Alternate Pump Location*	Incl.	Incl.	PILLOW		
Custom Pump Location*	\$180	\$180	Deluxe Oval	\$80	Incl.
HEATER					
Heater Inline/Electric	\$395	Incl.	STANDARD COLORS		
Hydro Clean Sanitation System	\$495	\$495	White Bone Almond Biscuit	Incl.	Incl.
CONTROLS					
Air Switch on/off	Incl.	Incl.	Design Colors-refer to page 5	\$495	\$495
EZ LEVEL QUIET BASE					
Alters deck height. Contact factory.				N/A	\$300
EZ LEVEL BARS					
Rush order 72 hour manufacturing (contact factory)				\$150	\$150
Shipping Boxes				\$495	\$495
				\$90	\$90

Zen 532SKTF Skirt & Tile Flange (Solid Skirt No Access Panel)

Zen 532TF Tile Flange

60" x 32" x 25"

Platinum Series \$5640

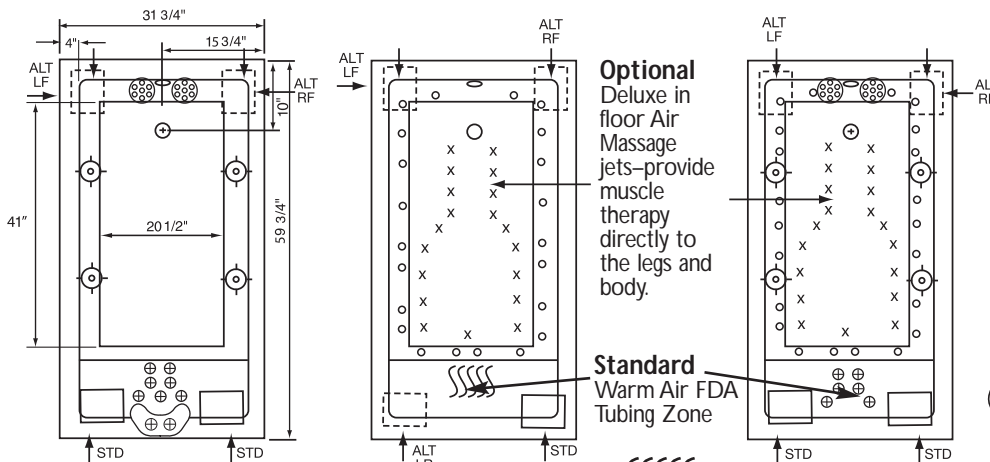
#ZP6032RHSTF #ZP6032LHSTF
#ZP6032RHTF #ZP6032LHTF

Air Massage Series \$3595

#ZA6032RHSTF #ZA6032LHSTF
#ZA6032RHTF #ZA6032LHTF

Combination Series \$5895

#ZC06032RHSTF #ZC06032LHSTF
#ZC06032RHTF #ZC06032LHTF



Equipment Legend

- X Optional deluxe in floor air massage jets
 - Turbo Air Jet
 - ⊕ Accu-Massage
 - Micro Flow or Optional Micromassage
 - ⊙ Ultra Flow or Optional Ultra Massage
 - ⊙ Sole Soother
 - ⊕ Neck Masseur Pillow
 - Pump
 - Alt. Pump
- Heated FDA Tubing Zone

Electrical Specifications

Pump Requirement

115V 15AMP w/GFCI
115V 20AMP w/GFCI

Inline Heater Requirement

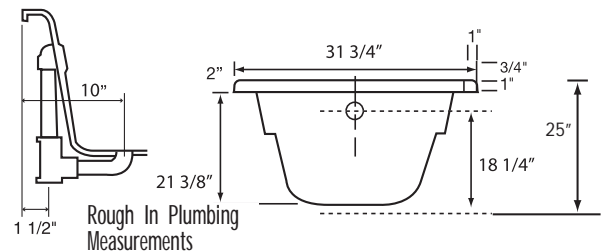
115V 15AMP w/GFCI

Gallons to Overflow 69 gal
Gallons to Operate 57 gal
Weight 160 lbs.

NOTE: Specifications are ± 1/4", features and prices are subject to change without notice
All final measurements should be taken from tub on site

	Platinum	Air Massage	Combination
Pump Requirement	2	1	1
Inline Heater Requirement	1		1

→ Pump Access (18"x18" required)
*Some pump locations & plumbing may extend beyond perimeter of bath



Features

	Platinum Series	Air Massage Series	Combination Series	Platinum Series	Air Massage Series	Combination Series
JETS						
Total number of jets	15	18	30	AROMATHERAPY FRAGRANCE SYSTEM		
Deluxe air systems	N/A	\$995	\$995	Fragrance Refills	\$195	\$195
Accu-Massage	9	N/A	6	Fragrance Refills	\$16.95	\$16.95
Micro Flow	N/A	N/A	N/A	HYDROCLEANSE WHIRLPOOL SYS CLNER		
Micro Massage (each)	N/A	N/A	N/A	2-Incl.	\$19.95	\$19.95
Ultra Flow	4	N/A	4	GRAB BAR		
Ultra Massage (each)	\$50	N/A	\$50	Bolt on PB, PC, SN, WH,	2-Incl.	\$125ea.
Sole Soother Seven (N/A in Metallic)	2	N/A	2	ALM, BISC		2-Incl.
Back Masseur System	Incl.	N/A	Incl.	Standard Grab Bars will be color coordinated to match whirlpool		
Neck Masseur Pillow (incl 2 jets)	Incl.	N/A	\$450	TILE FLANGE		
Metallic Trim Kit PC, PB, SN, ORB	\$400	\$350	\$600		\$175	\$175
PUMPS						
1.25 AP variable speed	N/A	Incl.	Incl.	DRAIN KITS		
2.25 Hydro Power 3 speed	2 Incl.	N/A	N/A	Lift N Turn PB, PC, SN, WH,	N/A	Incl.
3.25 Hydro Power 3 speed	N/A	N/A	Incl.	ALM, BISC, ORB		N/A
Pump Location/Alternate*	Incl.	Incl.	Incl.	Deluxe Cable Drain PB, PC,	Incl.	\$250
Custom Pump Location*	\$180	\$180	\$180	SN, WH, ALM, BISC, ORB		Incl.
HEATER						
Heater Inline/Electric	Incl.	N/A	Incl.	Standard drain colored to match whirlpool with ABS rough unless specified otherwise		
HydroClean Sanitation System	\$495	N/A	\$495	LIGHTS		
CONTROLS						
Air Switch on/off water pump	N/A	N/A	Incl.	Mood Light	Incl.	\$195
Electronic variable speed	Incl.	Incl.	Incl.	Chromatherapy	\$395	\$395
PILLOW						
Deluxe Oval						
				N/A	Incl.	Incl.
STANDARD COLORS						
White Bone Almond Biscuit						
				Incl.	Incl.	Incl.
Design Colors-refer to page 5						
				\$495	\$495	\$495
EZ LEVEL QUIET BASE						
				Incl.	Incl.	Incl.
Rush order 72 hour manufacturing (contact factory)						
				\$495	\$495	\$495
Shipping Boxes						
				\$90	\$90	\$90