

# Zen 534SKTF Skirt & Tile Flange (Solid Skirt No Access Panel)

# Zen 534TF Tile Flange

60" x 34" x 25"

## Silver Series \$2650

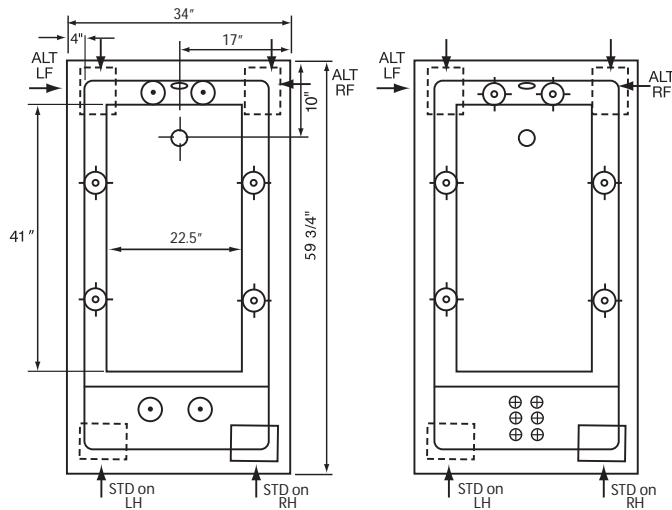
#ZS6034RHSKTF #ZS6034LHSKTF  
#ZS6034RHTF #ZS6034LHTF

## Gold Series \$3650

#ZG6034RHSKTF #ZG6034LHSKTF  
#ZG6034RHTF #ZG6034LHTF

## Soaking Tub \$1395

#ZT06034RHSKTF #ZT06034LHSKTF  
#ZT06034RHTF #ZT06034LHTF



### Equipment Legend

- Accu-Massage
- Micro Flow or Opt. Micromassage
- Ultra Flow or Optional Ultra Massage
- Sole Soother
- Neck Masseur Pillow
- Pump  Alt. Pump
- Pump Access (18"x18" required)  
\*Some pump locations & plumbing may extend beyond perimeter of bath
- 42° Back Rest

### Electrical Specifications

#### Pump Requirement

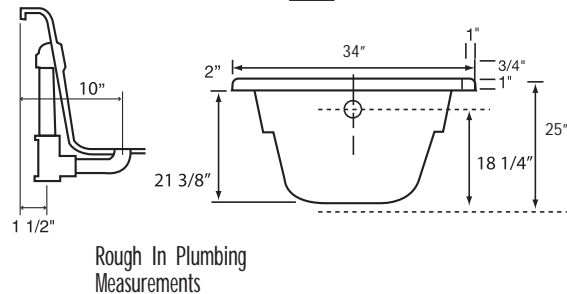
115V 15AMP w/GFCI  
115V 20AMP w/GFCI

#### Inline Heater Requirement

115V 15AMP w/GFCI

Gallons to Overflow 69 gal  
Gallons to Operate 57 gal  
Weight 160 lbs.

	Silver	Gold
Pump Requirement	1	1
Inline Heater Requirement	optional	1



NOTE: Specifications are  $\pm 1/4$ ", features and prices are subject to change without notice  
All final measurements should be taken from tub on site

## Features

	Silver Series	Gold Series		Silver Series	Gold Series
<b>JETS</b>					
Total number of jets	8	12	<b>Aromatherapy Fragrance System</b>	\$195	\$195
Accu-Massage	N/A	6	Fragrance Refills	\$16.95	\$16.95
Micro Flow	4	N/A	<b>Hydrocleanse Whirlpool Sys Clnr</b>	\$19.95	\$19.95
Micro Massage (each)	\$40	\$40	<b>GRAB BAR</b>		
Ultra Flow	4	6	Bolt on PB, PC, SN, WH, ALM, BISC	\$125ea.	\$125ea.
Ultra Massage (each)	\$50	\$50	Standard Grab Bars will be color coordinated to match whirlpool		
Sole Soother Seven (N/A in Metallic)	N/A	N/A	<b>TILE FLANGE</b>	\$175	\$175
Back Masseur System	N/A	Incl.	<b>DRAIN KITS</b>		
Neck Masseur Pillow (incl 2 jets)	N/A	\$450	Lift N Turn PB, PC, SN, WH, ALM, BISC, ORB	\$95	Incl.
Metallic Trim Kit PC, PB, SN, ORB	\$250	\$350	Deluxe Cable Drain PB, PC, SN, WH, ALM, BISC, ORB	\$250	\$250
<b>PUMPS</b>					
1.25 Hydro Power 1 speed	N/A	N/A	Standard drain colored to match whirlpool with ABS rough unless specified otherwise		
2.25 Hydro Power 1 speed	Incl.	N/A	<b>LIGHTS</b>		
2.25 Hydro Power 3 speed	\$350	N/A	Mood Light	\$195	\$195
3.25 Hydro Power 3 speed	N/A	Incl.	Chromatherapy	\$395	\$395
Alternate Pump Location*	Incl.	Incl.	<b>PILLOW</b>		
Custom Pump Location*	\$180	\$180	Deluxe Oval	\$80	Incl.
<b>HEATER</b>					
Heater Inline/Electric	\$395	Incl.	<b>STANDARD COLORS</b>		
Hydro Clean Sanitation System	\$495	\$495	White Bone Almond Biscuit	Incl.	Incl.
<b>CONTROLS</b>					
Air Switch on/off	Incl.	Incl.	Design Colors-refer to page 5	\$495	\$495
<b>EZ LEVEL QUIET BASE</b>					
Alters deck height. Contact factory.					
<b>EZ LEVEL BARS</b>					
Rush order 72 hour manufacturing (contact factory)				\$150	\$150
Shipping Boxes				\$495	\$495
				\$90	\$90

# Zen 534SKTF Skirt & Tile Flange (Solid Skirt No Access Panel)

# Zen 534TF Tile Flange

60" x 34" x 25"

## Platinum Series \$5640

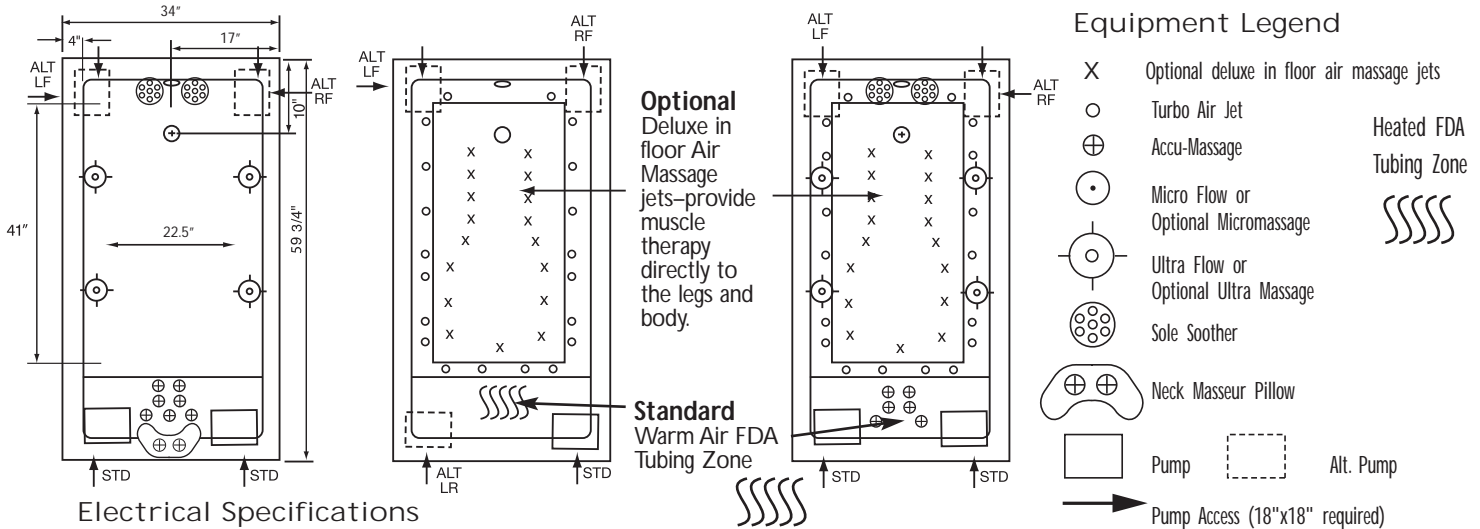
#ZP6034RHSKTF #ZP6034LHSKTF  
#ZP6034RHTF #ZP6034LHTF

## Air Massage Series \$3595

#ZA6034RHSKTF #ZA6034LHSKTF  
#ZA6034RHTF #ZA6034LHTF

## Combination Series \$5895

#ZC06034RHSKTF #ZC06034LHSKTF  
#ZC06034RHTF #ZC06034LHTF



### Electrical Specifications

#### Pump Requirement

115V 15AMP w/GFCI  
115V 20AMP w/GFCI

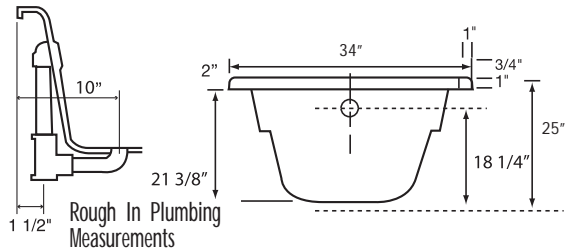
#### Inline Heater Requirement

115V 15AMP w/GFCI

Gallons to Overflow 69 gal  
Gallons to Operate 57 gal  
Weight 160 lbs.

NOTE: Specifications are ± 1/4", features and prices are subject to change without notice  
All final measurements should be taken from tub on site

	Platinum	Air Massage	Combination
Pump Requirement	2	1	1
Inline Heater Requirement	1		1



## Features

	Platinum Series	Air Massage Series	Combination Series	Platinum Series	Air Massage Series	Combination Series
<b>JETS</b>						
Total number of jets	15	18	30	<b>AROMATHERAPY FRAGRANCE SYSTEM</b>		
Deluxe air systems	N/A	\$995	\$995	Fragrance Refills	\$16.95	\$16.95
Accu-Massage	9	N/A	6	<b>HYDROCLEANSE WHIRLPOOL SYS CLNER</b>		
Micro Flow	N/A	N/A	N/A	2-Incl.	\$125ea.	2-Incl.
Micro Massage (each)	N/A	N/A	N/A	<b>GRAB BAR</b>		
Ultra Flow	4	N/A	4	Bolt on PB, PC, SN, WH,		
Ultra Massage (each)	\$50	N/A	\$50	ALM, BISC		
Sole Soother Seven (N/A in Metallic)	2	N/A	2	Standard Grab Bars will be color coordinated to match whirlpool		
Back Masseur System	Incl.	N/A	Incl.	<b>TILE FLANGE</b>		
Neck Masseur Pillow (incl 2 jets)	Incl.	N/A	\$450		\$175	\$175
Metallic Trim Kit PC, PB, SN, ORB	\$400	\$350	\$600	<b>DRAIN KITS</b>		
<b>PUMPS</b>						
1.25 AP variable speed	N/A	Incl.	Incl.	Lift N Turn PB, PC, SN, WH,	N/A	Incl.
2.25 Hydro Power 3 speed	2 Incl.	N/A	N/A	ALM, BISC, ORB		
3.25 Hydro Power 3 speed	N/A	N/A	Incl.	Deluxe Cable Drain PB, PC,	Incl.	\$250
Pump Location/Alternate*	Incl.	Incl.	Incl.	SN, WH, ALM, BISC, ORB		
Custom Pump Location*	\$180	\$180	\$180	Standard drain colored to match whirlpool with ABS rough unless specified otherwise		
<b>HEATER</b>						
Heater Inline/Electric	Incl.	N/A	Incl.	<b>LIGHTS</b>		
HydroClean Sanitation System	\$495	N/A	\$495	Mood Light	Incl.	\$195
<b>CONTROLS</b>						
Air Switch on/off water pump	N/A	N/A	Incl.	Chromatherapy	\$395	\$395
Electronic variable speed	Incl.	Incl.	Incl.	<b>PILLOW</b>		
<b>STANDARD COLORS</b>						
				Deluxe Oval	N/A	Incl.
				<b>EZ LEVEL QUIET BASE</b>		
				White Bone Almond Biscuit	Incl.	Incl.
				Design Colors-refer to page 5	\$495	\$495
				Rush order 72 hour	Incl.	Incl.
				manufacturing (contact factory)	\$495	\$495
				Shipping Boxes	\$90	\$90