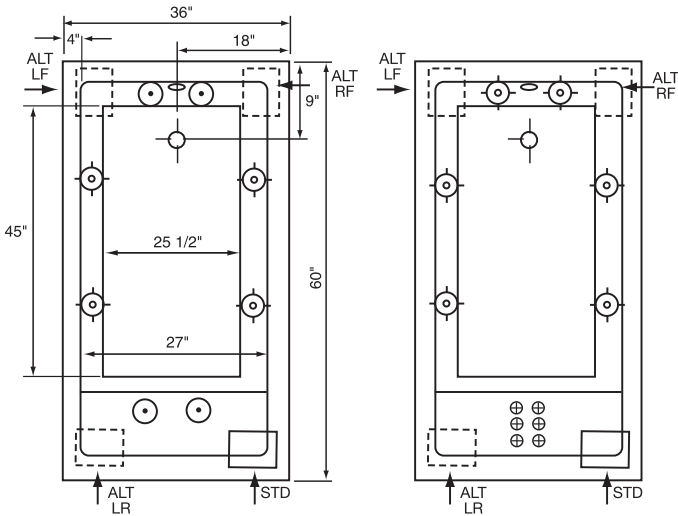


# Zen 536

60" x 36" x 22"

<b>Silver Series \$2795</b> #ZS6036	<b>Gold Series \$3695</b> #ZG6036	<b>Soaking Tub \$1495</b> #ZTO6036
--	--------------------------------------	---------------------------------------



### Equipment Legend

- Accu-Massage
- Micro Flow or Opt. Micromassage
- Ultra Flow or Optional Ultra Massage
- Sole Soother
- Neck Masseur Pillow
- Pump  Alt. Pump
- Pump Access (18"x18" required)  
\*Some pump locations & plumbing may extend beyond perimeter of bath
- 42° Back Rest

### Electrical Specifications

#### Pump Requirement

115V 15AMP w/GFCI

115V 20AMP w/GFCI

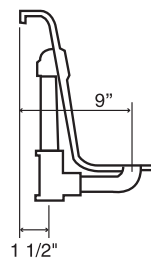
#### Inline Heater Requirement

115V 15AMP w/GFCI

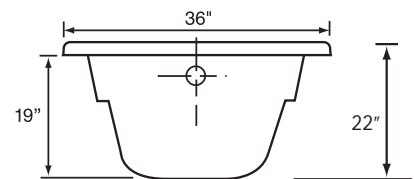
Gallons to Overflow 80 gal  
 Gallons to Operate 68 gal  
 Weight 180 lbs.

	Silver	Gold
Pump Requirement	1	1
Inline Heater Requirement	optional	1

NOTE: Specifications are  $\pm 1/4"$ , features and prices are subject to change without notice  
 All final measurements should be taken from tub on site



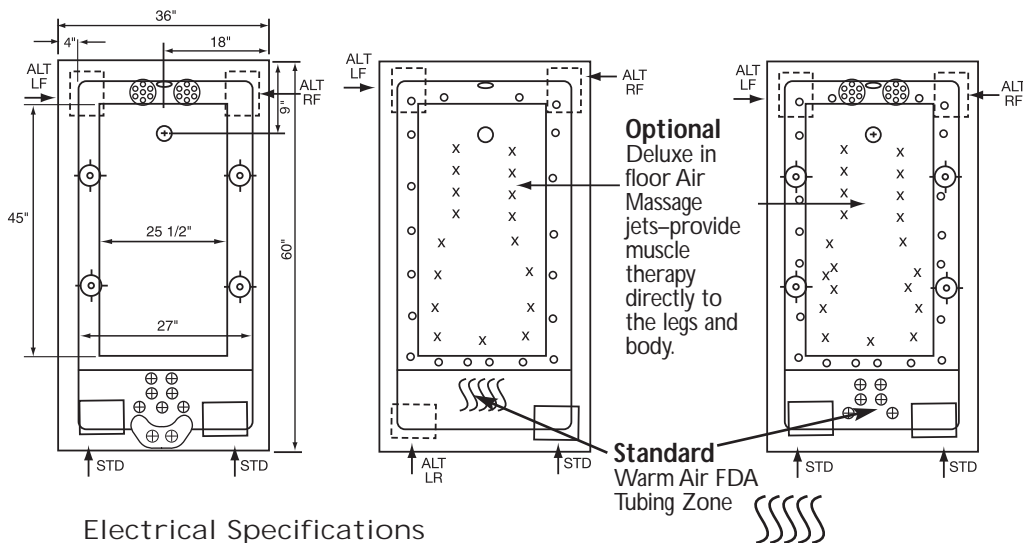
Rough In Plumbing Measurements



## Features

	Silver Series	Gold Series		Silver Series	Gold Series
<b>JETS</b>					
Total number of jets	8	12	<b>Aromatherapy Fragrance System</b>	\$195	\$195
Accu-Massage	N/A	6	Fragrance Refills	\$16.95	\$16.95
Micro Flow	4	N/A	<b>Hydrocleanse Whirlpool Sys Clnr</b>	\$19.95	\$19.95
Micro Massage (each)	\$40	\$40	<b>GRAB BAR</b>		
Ultra Flow	4	6	Bolt on PB, PC, SN, WH, ALM, BISC	\$125ea.	\$125ea.
Ultra Massage (each)	\$50	\$50	Standard Grab Bars will be color coordinated to match whirlpool		
Sole Soother Seven (N/A in Metallic)	N/A	N/A	<b>TILE FLANGE</b>		
Back Masseur System	N/A	Incl.	\$175 \$175		
Neck Masseur Pillow (incl 2 jets)	N/A	\$450	<b>DRAIN KITS</b>		
Metallic Trim Kit PC, PB, SN, ORB	\$250	\$350	Lift N Turn PB, PC, SN, WH, ALM, BISC, ORB	\$95	Incl.
<b>PUMPS</b>					
1.25 Hydro Power 1 speed	N/A	N/A	Deluxe Cable Drain PB, PC, SN, WH, ALM, BISC, ORB	\$250	\$250
2.25 Hydro Power 1 speed	Incl.	N/A	Standard drain colored to match whirlpool with ABS rough unless specified otherwise		
2.25 Hydro Power 3 speed	\$350	N/A	<b>LIGHTS</b>		
3.25 Hydro Power 3 speed	N/A	Incl.	Mood Light	\$195	\$195
Alternate Pump Location*	Incl.	Incl.	Chromatherapy	\$395	\$395
Custom Pump Location*	\$180	\$180	<b>PILLOW</b>		
<b>HEATER</b>					
Heater Inline/Electric	\$395	Incl.	Deluxe Oval		
Hydro Clean Sanitation System	\$495	\$495	\$80 Incl.		
<b>CONTROLS</b>					
Air Switch on/off	Incl.	Incl.	<b>STANDARD COLORS</b>		
White Bone Almond Biscuit					
Design Colors-refer to page 5					
<b>EZ LEVEL QUIET BASE</b>					
Alters deck height. Contact factory.					
<b>EZ LEVEL BARS</b>					
Rush order 72 hour manufacturing					
(contact factory)					
Shipping Boxes					

**Platinum Series \$5590 #ZP6036    Air Massage Series \$3775 #ZA6036    Combination Series \$5750 #ZC6036**



### Equipment Legend

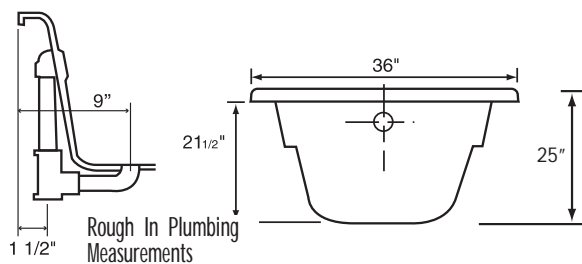
- X Optional deluxe in floor air massage jets
  - Turbo Air Jet
  - ⊕ Accu-Massage
  - Micro Flow or Optional Micromassage
  - Ultra Flow or Optional Ultra Massage
  - ⊙ Sole Soother
  - ⊕ Neck Masseur Pillow
  - Pump
  - ▭ Alt. Pump
  - Heated FDA Tubing Zone
- Pump Access (18" x 18" required)  
\*Some pump locations & plumbing may extend beyond perimeter of bath

### Electrical Specifications

	Platinum	Air Massage	Combination
<b>Pump Requirement</b>			
115V 15AMP w/GFCI	2	1	1
115V 20AMP w/GFCI			1
<b>Inline Heater Requirement</b>			
115V 15AMP w/GFCI	1		1

Gallons to Overflow 80 gal  
 Gallons to Operate 68 gal  
 Weight 180 lbs.

NOTE: Specifications are ± 1/4", features and prices are subject to change without notice  
 All final measurements should be taken from tub on site



## Features

	Platinum Series	Air Massage Series	Combination Series		Platinum Series	Air Massage Series	Combination Series
<b>JETS</b>				<b>AROMATHERAPY FRAGRANCE SYSTEM</b>			
Total number of jets	15	18	30	Fragrance Refills	\$195		\$195
Deluxe air systems	N/A	\$995	\$995		\$16.95		\$16.95
Accu-Massage	9	N/A	6	<b>HYDROCLEANSE WHIRLPOOL SYS CLNER</b>			
Micro Flow	N/A	N/A	N/A		\$19.95		\$19.95
Micro Massage (each)	N/A	N/A	N/A	<b>GRAB BAR</b>			
Ultra Flow	4	N/A	4	Bolt on PB, PC, SN, WH, ALM, BISC	2-Incl.	\$125ea.	2-Incl.
Ultra Massage (each)	\$50	N/A	\$50	Standard Grab Bars will be color coordinated to match whirlpool			
Sole Soother Seven (N/A in Metallic)	2	N/A	2	<b>TILE FLANGE</b>			
Back Masseur System	Incl.	N/A	Incl.		\$175	\$175	\$175
Neck Masseur Pillow (incl 2 jets)	Incl.	N/A	\$450	<b>DRAIN KITS</b>			
Metallic Trim Kit PC, PB, SN, ORB	\$400	\$350	\$600	Lift N Turn PB, PC, SN, WH, ALM, BISC, ORB	N/A	Incl.	N/A
<b>PUMPS</b>				Deluxe Cable Drain PB, PC, SN, WH, ALM, BISC, ORB			
1.25 AP variable speed	N/A	Incl.	Incl.	Standard drain colored to match whirlpool with ABS rough unless specified otherwise			
2.25 Hydro Power 3 speed	2 Incl.	N/A	N/A	<b>LIGHTS</b>			
3.25 Hydro Power 3 speed	N/A	N/A	Incl.	Mood Light	Incl.	\$195	Incl.
Pump Location/Alternate*	Incl.	Incl.	Incl.	Chromatherapy	\$395	\$395	\$395
Custom Pump Location*	\$180	\$180	\$180	<b>PILLOW</b>			
<b>HEATER</b>				Deluxe Oval			
Heater Inline/Electric	Incl.	N/A	Incl.		N/A	Incl.	Incl.
HydroClean Sanitation System	\$495	N/A	\$495	<b>STANDARD COLORS</b>			
<b>CONTROLS</b>				White Bone Almond Biscuit			
Air Switch on/off water pump	N/A	N/A	Incl.	Special Colors-refer to page 5	\$495	\$495	\$495
Electronic variable speed	Incl.	Incl.	Incl.	<b>EZ LEVEL QUIET BASE</b>			
				Rush order 72 hour manufacturing (contact factory)			
				Shipping Boxes			
					\$90	\$90	\$90