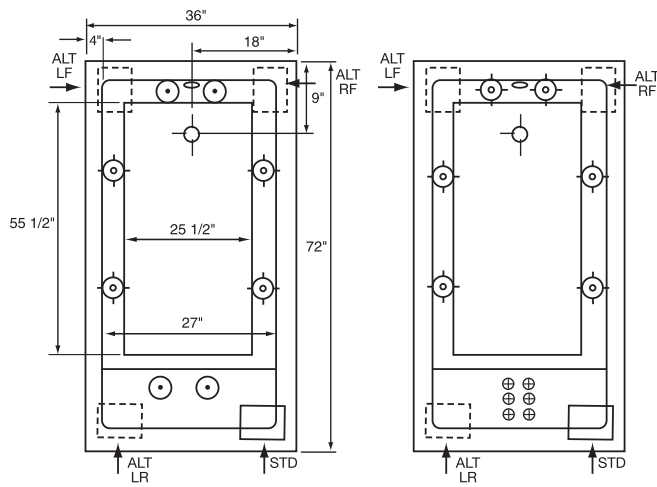


Zen 636

72" x 36" x 22"

Silver Series \$2875 #ZS7236	Gold Series \$3775 #ZG7236	Soaking Tub \$1595 #ZTO7236
--	--------------------------------------	---------------------------------------



Equipment Legend

- Accu-Massage
- Micro Flow or Opt. Micromassage
- Ultra Flow or Optional Ultra Massage
- Sole Soother
- Neck Masseur Pillow
- Pump Alt. Pump
- Pump Access (18"x18" required)
*Some pump locations & plumbing may extend beyond perimeter of bath
- 42° Back Rest

Electrical Specifications

Pump Requirement

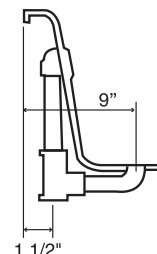
115V 15AMP w/GFCI
115V 20AMP w/GFCI

Inline Heater Requirement

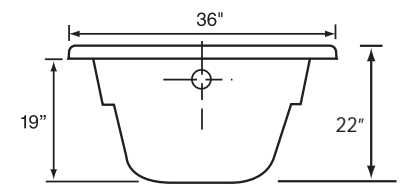
115V 15AMP w/GFCI

Gallons to Overflow 90 gal
Gallons to Operate 78 gal
Weight 190 lbs.

	Silver	Gold
Pump Requirement	1	1
Inline Heater Requirement	optional	1



Rough In Plumbing Measurements



NOTE: Specifications are ± 1/4", features and prices are subject to change without notice. All final measurements should be taken from tub on site.

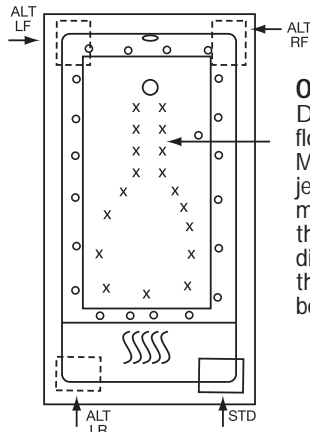
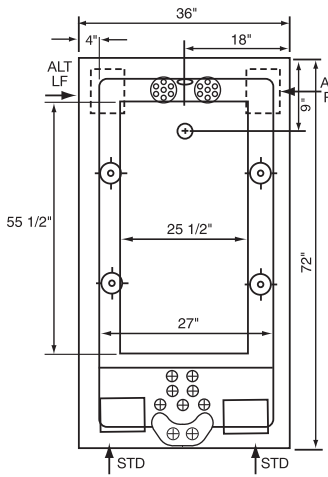
Features

	Silver Series	Gold Series	Silver Series	Gold Series
JETS				
Total number of jets	8	12		
Accu-Massage	N/A	6		
Micro Flow	4	N/A		
Micro Massage (each)	\$40	\$40		
Ultra Flow	4	6		
Ultra Massage (each)	\$50	\$50		
Sole Soother Seven (N/A in Metallic)	N/A	N/A		
Back Masseur System	N/A	Incl.		
Neck Masseur Pillow (incl 2 jets)	N/A	\$450		
Metallic Trim Kit PC, PB, SN, ORB	\$250	\$350		
PUMPS				
2.25 Hydro Power 1 speed	Incl.	N/A		
2.25 Hydro Power 3 speed	\$250	N/A		
3.25 Hydro Power 3 speed	N/A	Incl.		
Alternate Pump Location*	Incl.	Incl.		
Custom Pump Location(s)*	\$180	\$180		
HEATER				
Heater Inline/Electric	\$395	Incl.		
Hydro Clean Sanitation System	\$495	\$495		
CONTROLS				
Air Switch on/off	Incl.	Incl.		
Aromatherapy Fragrance System				
Fragrance Refills			\$195	\$195
Hydrocleanse Whirlpool Sys Clnr			\$16.95	\$16.95
GRAB BAR				
Bolt on PB, PC, SN, WH, ALM, BISC			\$19.95	\$19.95
Standard Grab Bars will be color coordinated to match whirlpool			\$125ea.	\$125ea.
TILE FLANGE				
			\$175	\$175
DRAIN KITS				
Lift N Turn PB, PC, SN, WH, ALM, BISC, ORB			\$95	Incl.
Deluxe Cable Drain PB, PC, SN, WH, ALM, BISC, ORB			\$250	\$250
Standard drain colored to match whirlpool with ABS rough unless specified otherwise				
LIGHTS				
Mood Light			\$195	\$195
Chromatherapy			\$395	\$395
PILLOW				
Deluxe Oval			\$80	Incl.
STANDARD COLORS				
White Bone Almond Biscuit			Incl.	Incl.
Design Colors-refer to page 5			\$495	\$495
EZ LEVEL QUIET BASE				
Alters deck height. Contact factory.			N/A	\$300
EZ LEVEL BARS				
Rush order 72 hour manufacturing (contact factory)			\$150	\$150
Shipping Boxes			\$495	\$495
			\$90	\$90

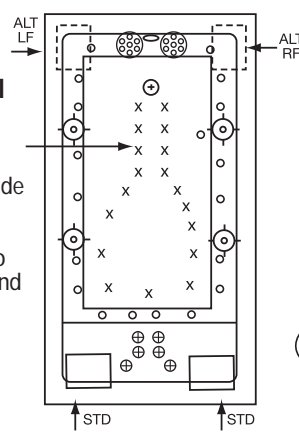
Zen 636

72" x 36" x 25"

Platinum Series \$5650 #ZP7236 **Air Massage Series \$3850 #ZA7236** **Combination Series \$5795 #ZC7236**



Optional Deluxe in floor Air Massage jets—provide muscle therapy directly to the legs and body.



Equipment Legend

- X Optional deluxe in floor air massage jets
 - Turbo Air Jet
 - ⊕ Accu-Massage
 - ⊙ Micro Flow or Optional Micromassage
 - ⊗ Ultra Flow or Optional Ultra Massage
 - ⊙ Sole Soother
 - ⊕ Neck Masseur Pillow
 - Pump
 - Alt. Pump
 - Heated FDA Tubing Zone
 - SSSSS
- ➔ Pump Access (18"x18" required)
*Some pump locations & plumbing may extend beyond perimeter of bath

Electrical Specifications

Pump Requirement

115V 15AMP w/GFCI
115V 20AMP w/GFCI

Inline Heater Requirement

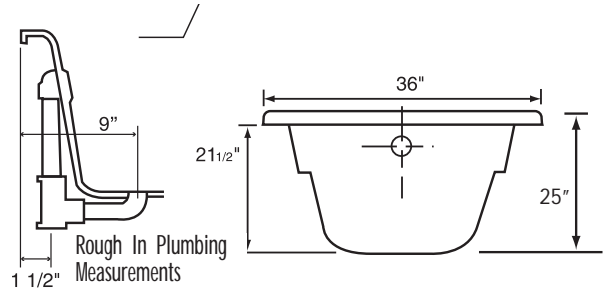
115V 15AMP w/GFCI

Gallons to Overflow 90 gal
Gallons to Operate 78 gal
Weight 190 lbs.

NOTE: Specifications are ± 1/4", features and prices are subject to change without notice
All final measurements should be taken from tub on site

	Platinum	Air Massage	Combination
Pump Requirement	2	1	1
Inline Heater Requirement	1		1

42° Back Rest



Features

	Platinum Series	Air Massage Series	Combination Series	Platinum Series	Air Massage Series	Combination Series
JETS						
Total number of jets	15	18	30			
Deluxe air systems	N/A	\$995	\$995			
Accu-Massage	9	N/A	6			
Micro Flow	N/A	N/A	N/A			
Micro Massage (each)	N/A	N/A	N/A			
Ultra Flow	4	N/A	4			
Ultra Massage (each)	\$50	N/A	\$50			
Sole Soother Seven (N/A in Metallic)	2	N/A	2			
Back Masseur System	Incl.	N/A	Incl.			
Neck Masseur Pillow (incl 2 jets)	Incl.	N/A	\$450			
Metallic Trim Kit PC, PB, SN, ORB	\$400	\$350	\$600			
PUMPS						
1.25 AP variable speed	N/A	Incl.	Incl.			
2.25 Hydro Power 3 speed	2 Incl.	N/A	N/A			
3.25 Hydro Power 3 speed	N/A	N/A	Incl.			
Pump Location/Alternate*	Incl.	Incl.	Incl.			
Custom Pump Location(s)*	\$180	\$180	\$180ea			
HEATER						
Heater Inline/Electric	Incl.	N/A	Incl.			
HydroClean Sanitation System	\$495	N/A	\$495			
CONTROLS						
Air Switch on/off water pump	N/A	N/A	Incl.			
Electronic variable speed	Incl.	Incl.	Incl.			
AROMATHERAPY FRAGRANCE SYSTEM						
Fragrance Refills				\$195		\$195
				\$16.95		\$16.95
HYDROCLEANSE WHIRLPOOL SYS CLNER				\$19.95		\$19.95
GRAB BAR						
Bolt on PB, PC, SN, WH, ALM, BISC	2-Incl.			\$125ea.		2-Incl.
Standard Grab Bars will be color coordinated to match whirlpool						
TILE FLANGE				\$175	\$175	\$175
DRAIN KITS						
Lift N Turn PB, PC, SN, WH, ALM, BISC, ORB	N/A			Incl.		N/A
Deluxe Cable Drain PB, PC, SN, WH, ALM, BISC, ORB	Incl.			\$250		Incl.
Standard drain colored to match whirlpool with ABS rough unless specified otherwise						
LIGHTS						
Mood Light	Incl.			\$195		Incl.
Chromatherapy	\$395			\$395		\$395
PILLOW						
Deluxe Oval	N/A			Incl.		Incl.
STANDARD COLORS						
White Bone Almond Biscuit	Incl.			Incl.		Incl.
Special Colors-refer to page 5	\$495			\$495		\$495
EZ LEVEL QUIET BASE						
Rush order 72 hour manufacturing (contact factory)	\$495			\$495		\$495
Shipping Boxes	\$90			\$90		\$90