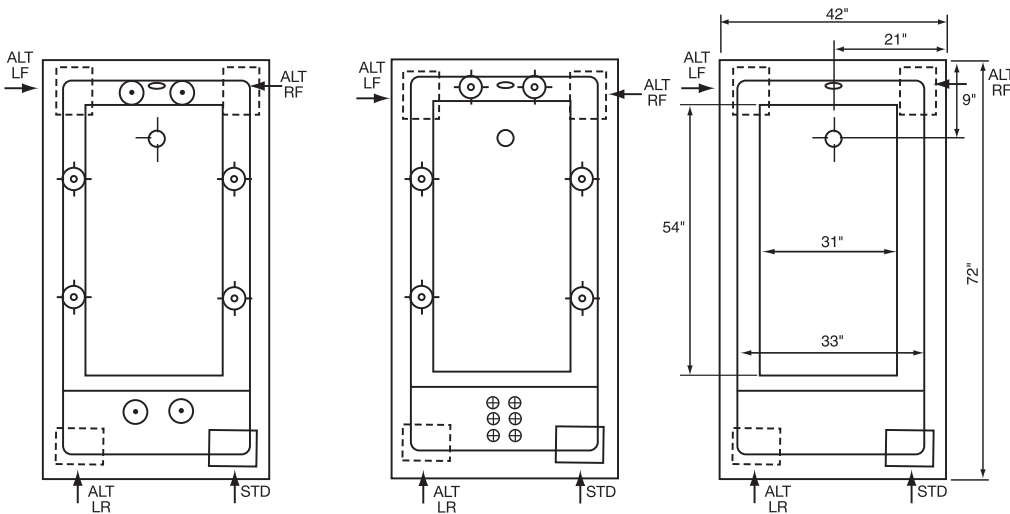


Silver Series \$3250
#ZS7242

Gold Series \$4195
#ZG7242

Soaking Tub \$1950
#ZTO7242



Equipment Legend

- Accu-Massage
- Micro Flow or Opt. Micromassage
- Ultra Flow or Optional Ultra Massage
- Sole Soother
- Neck Masseur Pillow
- Pump Alt. Pump
- Pump Access (18"x18" required)
*Some pump locations & plumbing may extend beyond perimeter of bath
- 42° Back Rest

Electrical Specifications

Pump Requirement

115V 15AMP w/GFCI
115V 20AMP w/GFCI

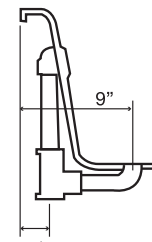
Inline Heater Requirement

115V 15AMP w/GFCI

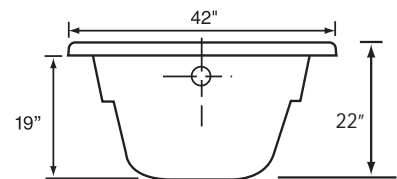
Gallons to Overflow 115 gal
Gallons to Operate 103 gal
Weight 195 lbs.

	Silver	Gold
Pump Requirement	1	1
Inline Heater Requirement	optional	1

NOTE: Specifications are ± 1/4", features and prices are subject to change without notice
All final measurements should be taken from tub on site



1 1/2" Rough In Plumbing Measurements



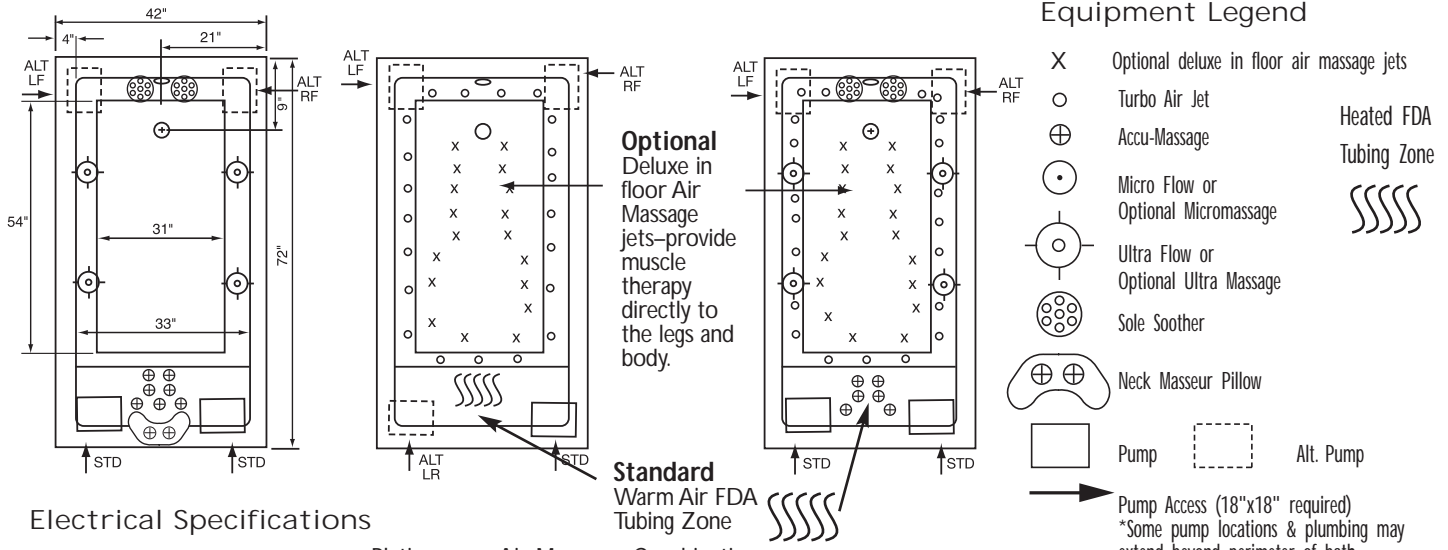
Features

	Silver Series	Gold Series		Silver Series	Gold Series
JETS					
Total number of jets	8	12	Aromatherapy Fragrance System	\$195	\$195
Accu-Massage	N/A	6	Fragrance Refills	\$16.95	\$16.95
Micro Flow	4	N/A	Hydrocleanse Whirlpool Sys Clnr	\$19.95	\$19.95
Micro Massage (each)	\$40	\$40	GRAB BAR		
Ultra Flow	4	6	Bolt on PB, PC, SN, WH, ALM, BISC	\$125ea.	\$125ea.
Ultra Massage (each)	\$50	\$50	Standard Grab Bars will be color coordinated to match whirlpool		
Sole Soother Seven (N/A in Metallic)	N/A	N/A	TILE FLANGE	\$175	\$175
Back Masseur System	N/A	Incl.	DRAIN KITS		
Neck Masseur Pillow (incl 2 jets)	\$450	\$450	Lift N Turn PB, PC, SN, WH, ALM, BISC, ORB	\$95	Incl.
Metallic Trim Kit PC, PB, SN, ORB	\$250	\$350	Deluxe Cable Drain PB, PC, SN, WH, ALM, BISC, ORB	\$250	\$250
Standard drain colored to match whirlpool with ABS rough unless specified otherwise					
PUMPS					
2.25 Hydro Power 1 speed	Incl.	N/A	LIGHTS		
2.25 Hydro Power 3 speed	\$250	N/A	Mood Light	\$195	\$195
3.25 Hydro Power 3 speed	N/A	Incl.	Chromatherapy	\$395	\$395
Alternate Pump Location*	Incl.	Incl.	PILLOW		
Custom Pump Location(s)*	\$180	\$180	Deluxe Oval	\$80	Incl.
HEATER					
Heater Inline/Electric	\$395	Incl.	STANDARD COLORS		
Hydro Clean Sanitation System	\$495	\$495	White Bone Almond Biscuit	Incl.	Incl.
Design Colors-refer to page 5					
CONTROLS					
Air Switch on/off	Incl.	Incl.	EZ LEVEL QUIET BASE	N/A	\$300
Alters deck height. Contact factory.					
EZ LEVEL BARS					
Rush order 72 hour manufacturing (contact factory)					
				\$150	\$150
				\$495	\$495
			Shipping Boxes	\$90	\$90

Zen 642

72" x 42" x 25"

Platinum Series \$5995 #ZP7242 **Air Massage Series \$4150 #ZA7242** **Combination Series \$6295 #ZC7242**



Electrical Specifications

Pump Requirement

115V 15AMP w/GFCI

115V 20AMP w/GFCI

Inline Heater Requirement

115V 15AMP w/GFCI

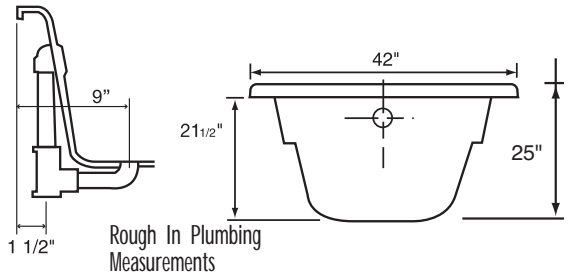
Gallons to Overflow 115 gal

Gallons to Operate 103 gal

Weight 195lbs.

NOTE: Specifications are ± 1/4", features and prices are subject to change without notice
All final measurements should be taken from tub on site

	Platinum	Air Massage	Combination
Pump Requirement	2	1	1
Inline Heater Requirement	1		1



Features

	Platinum Series	Air Massage Series	Combination Series	Platinum Series	Air Massage Series	Combination Series
JETS						
Total number of jets	15	18	30			
Deluxe air systems	N/A	\$995	\$995			
Accu-Massage	9	N/A	6			
Micro Flow	N/A	N/A	N/A			
Micro Massage (each)	N/A	N/A	N/A			
Ultra Flow	4	N/A	4			
Ultra Massage (each)	\$50	N/A	\$50			
Sole Soother Seven (N/A in Metallic)	2	N/A	2-Incl.			
Back Masseur System	Incl.	N/A	Incl.			
Neck Masseur Pillow (incl 2 jets)	Incl.	N/A	\$450			
Metallic Trim Kit PC, PB, SN, ORB	\$400	\$350	\$600			
PUMPS						
1.25 AP variable speed	N/A	Incl.	Incl.			
2.25 Hydro Power 3 speed	2 Incl.	N/A	N/A			
3.25 Hydro Power 3 speed	N/A	N/A	Incl.			
Pump Location/Alternate*	Incl.	Incl.	Incl.			
Custom Pump Location(s)*	\$180ea	\$180	\$180ea			
HEATER						
Heater Inline/Electric	Incl.	N/A	Incl.			
HydroClean Sanitation System	\$495	N/A	\$495			
CONTROLS						
Air Switch on/off water pump	N/A	N/A	Incl.			
Electronic variable speed	Incl.	Incl.	Incl.			
AROMATHERAPY FRAGRANCE SYSTEM						
				\$195		\$195
Fragrance Refills				\$16.95		\$16.95
HYDROCLEANSE WHIRLPOOL SYS CLNER						
				\$19.95		\$19.95
GRAB BAR						
Bolt on PB, PC, SN, WH,	2-Incl.			\$125ea.		2-Incl.
ALM, BISC						
Standard Grab Bars will be color coordinated to match whirlpool						
TILE FLANGE						
				\$175		\$175
DRAIN KITS						
Lift N Turn PB, PC, SN, WH,	N/A			Incl.		N/A
ALM, BISC, ORB						
Deluxe Cable Drain PB, PC,	Incl.			\$250		Incl.
SN, WH, ALM, BISC, ORB						
Standard drain colored to match whirlpool with ABS rough unless specified otherwise						
LIGHTS						
Mood Light	Incl.			\$195		Incl.
Chromatherapy	\$395			\$395		\$395
PILLOW						
Deluxe Oval	N/A			Incl.		Incl.
STANDARD COLORS						
White Bone Almond Biscuit	Incl.			Incl.		Incl.
Special Colors-refer to page 5	\$495			\$495		\$495
EZ LEVEL QUIET BASE						
Rush order 72 hour manufacturing (contact factory)	\$495			\$495		\$495
Shipping Boxes	\$90			\$90		\$90