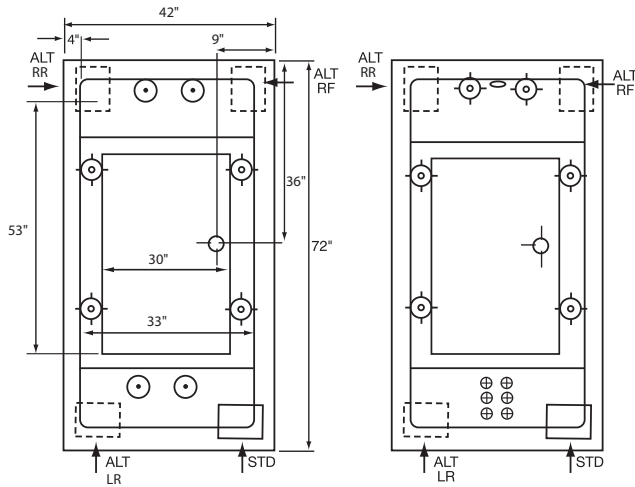


Zen 642SD

72" x 42" x 22"

Silver Series \$3250 #ZS7242SD	Gold Series \$4195 #ZG7242SD	Soaking Tub \$1950 #ZTO7242SD
--	--	---



Equipment Legend

- Accu-Massage
- Micro Flow or Opt. Micromassage
- Ultra Flow or Optional Ultra Massage
- Sole Soother
- Neck Masseur Pillow
- Pump
- Alt. Pump
- Pump Access (18"x18" required)
*Some pump locations & plumbing may extend beyond perimeter of bath
- 42° Back Rest

Electrical Specifications

Pump Requirement

115V 15AMP w/GFCI
115V 20AMP w/GFCI

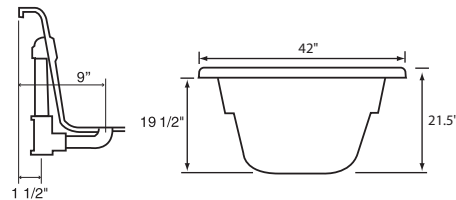
Inline Heater Requirement

115V 15AMP w/GFCI

Gallons to Overflow 90 gal
Gallons to Operate 78 gal
Weight 190 lbs.

	Silver	Gold
Pump Requirement	1	1
Inline Heater Requirement	optional	1

NOTE: Specifications are $\pm 1/4"$, features and prices are subject to change without notice
All final measurements should be taken from tub on site



Rough In Plumbing Measurements

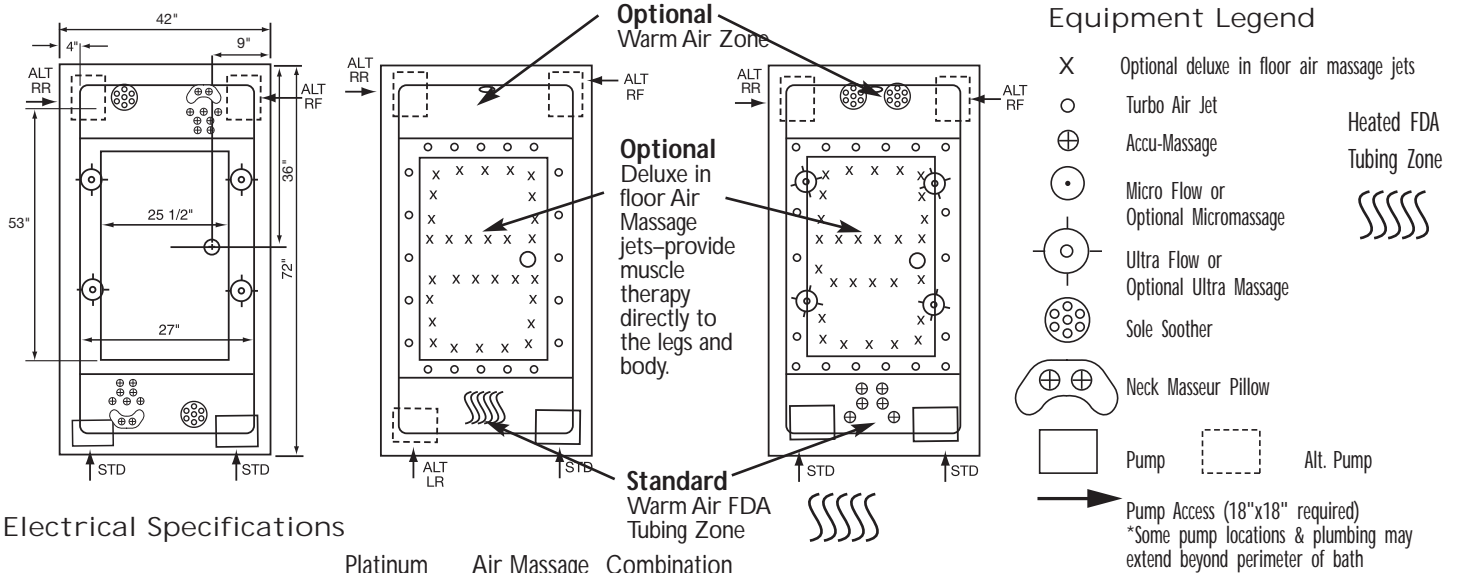
Features

	Silver Series	Gold Series	Silver Series	Gold Series
JETS				
Total number of jets	8	12		
Accu-Massage	N/A	6		
Micro Flow	4	N/A		
Micro Massage (each)	\$40	\$40		
Ultra Flow	4	6		
Ultra Massage (each)	\$50	\$50		
Sole Soother Seven (N/A in Metallic)	N/A	N/A		
Back Masseur System	N/A	Incl.		
Neck Masseur Pillow (incl 2 jets)	N/A	\$450		
Metallic Trim Kit PC, PB, SN, ORB	\$250	\$350		
PUMPS				
2.25 Hydro Power 1 speed	Incl.	N/A		
2.25 Hydro Power 3 speed	\$250	N/A		
3.25 Hydro Power 3 speed	N/A	Incl.		
Alternate Pump Location*	Incl.	Incl.		
Custom Pump Location(s)*	\$180	\$180		
HEATER				
Heater Inline/Electric	\$395	Incl.		
Hydro Clean Sanitation System	\$495	\$495		
CONTROLS				
Air Switch on/off	Incl.	Incl.		
Aromatherapy Fragrance System				
Fragrance Refills			\$195	\$195
Hydrocleanse Whirlpool Sys Clnr			\$16.95	\$16.95
GRAB BAR				
Bolt on PB, PC, SN, WH, ALM, BISC			\$19.95	\$19.95
Standard Grab Bars will be color coordinated to match whirlpool			\$125ea.	\$125ea.
TILE FLANGE				
			\$175	\$175
DRAIN KITS				
Lift N Turn PB, PC, SN, WH, ALM, BISC, ORB			\$95	Incl.
Deluxe Cable Drain PB, PC, SN, WH, ALM, BISC, ORB			\$250	\$250
Standard drain colored to match whirlpool with ABS rough unless specified otherwise				
LIGHTS				
Mood Light			\$195	\$195
Chromatherapy			\$395	\$395
PILLOW				
Deluxe Oval			\$80	Incl.
STANDARD COLORS				
White Bone Almond Biscuit			Incl.	Incl.
Design Colors-refer to page 5			\$495	\$495
EZ LEVEL QUIET BASE				
Alters deck height. Contact factory.			N/A	\$300
EZ LEVEL BARS				
Rush order 72 hour manufacturing (contact factory)			\$150	\$150
Shipping Boxes			\$495	\$495
			\$90	\$90

Zen 642SD

72" x 42" x 25"

Platinum Series \$6295 #ZP7242SD **Air Massage Series \$4150 #ZA7242SD** **Combination Series \$6295 #ZC7242SD**



Electrical Specifications

Pump Requirement

115V 15AMP w/GFCI
115V 20AMP w/GFCI

Inline Heater Requirement

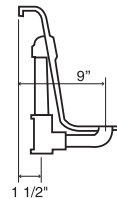
115V 15AMP w/GFCI

Gallons to Overflow 90 gal
Gallons to Operate 78 gal
Weight 190 lbs.

NOTE: Specifications are ± 1/4", features and prices are subject to change without notice
All final measurements should be taken from tub on site

Platinum Air Massage Combination

2	1	1
		1
1		1



Rough In Plumbing Measurements

Features

	Platinum Series	Air Massage Series	Combination Series		Platinum Series	Air Massage Series	Combination Series
JETS				AROMATHERAPY FRAGRANCE SYSTEM			
Total number of jets	24	18	30	Fragrance Refills	\$195		\$195
Deluxe air systems	N/A	\$995	\$995		\$16.95		\$16.95
Accu-Massage	18	N/A	6	HYDROCLEANSE WHIRLPOOL SYS CLNER			
Micro Flow	N/A	N/A	N/A		\$19.95		\$19.95
Micro Massage (each)	N/A	N/A	N/A	GRAB BAR			
Ultra Flow	4	N/A	4	Bolt on PB, PC, SN, WH, ALM, BISC	2-Incl.	\$125ea.	2-Incl.
Ultra Massage (each)	\$50	N/A	\$50	Standard Grab Bars will be color coordinated to match whirlpool			
Sole Soother Seven (N/A in Metallic)	2	N/A	2	TILE FLANGE			
Back Masseur System	Incl.	N/A	Incl.		\$175	\$175	\$175
Neck Masseur Pillow (incl 2 jets)	2 Incl.	N/A	\$450	DRAIN KITS			
Metallic Trim Kit PC, PB, SN, ORB	\$400	\$350	\$600	Lift N Turn PB, PC, SN, WH, ALM, BISC, ORB	N/A	Incl.	N/A
PUMPS				Deluxe Cable Drain PB, PC, SN, WH, ALM, BISC, ORB	Incl.	\$250	Incl.
1.25 AP variable speed	N/A	Incl.	Incl.	Standard drain colored to match whirlpool with ABS rough unless specified otherwise			
2.25 Hydro Power 3 speed	2 Incl.	N/A	N/A	LIGHTS			
3.25 Hydro Power 3 speed	N/A	N/A	Incl.	Mood Light	Incl.	\$195	Incl.
Pump Location/Alternate*	Incl.	Incl.	Incl.	Chromatherapy	\$395	\$395	\$395
Custom Pump Location(s)*	\$180	\$180	\$180ea	PILLOW			
HEATER				Deluxe Oval	N/A	Incl.	Incl.
Heater Inline/Electric	Incl.	N/A	Incl.	STANDARD COLORS			
HydroClean Sanitation System	\$495	N/A	\$495	White Bone Almond Biscuit	Incl.	Incl.	Incl.
CONTROLS				Special Colors-refer to page 5	\$495	\$495	\$495
Air Switch on/off water pump	N/A	N/A	Incl.	EZ LEVEL QUIET BASE			
Electronic variable speed	Incl.	Incl.	Incl.	Rush order 72 hour manufacturing (contact factory)	\$495	\$495	\$495
				Shipping Boxes	\$90	\$90	\$90