

Oval 7236SD | Combination 21 Water & Air Massage

Product Number: BUDROC21J7236SDFS-A 72" x 36" x 28"



STANDARD & OPTIONAL ACCESSORIES

JETS: 21 Total Air & Water Massage Jets

- 12 Classic Air Jets
- 9 Micro Flow Water Jets

PUMPS

- 1.25 Hydropower 1-speed Pump
- 1.0 Air Power Pump

CONTROLS

Air Switch On/Off Control(s)

DRAINS & OVERFLOWS INFORMATION

- Bath Drain: Pop up: Included - White
- In Floor Drain EZ Fast Connect (optional)

FAUCET INFORMATION

- Tub Deck Mount Faucet Location
- Floor mount (not included)
- Floor mount verify spout distance

ADDITIONAL INFORMATION

Your qualified installer must water test and run all equipment before leaving your home to ensure proper operation and validate warranty.



TECHNICAL SPECIFICATIONS

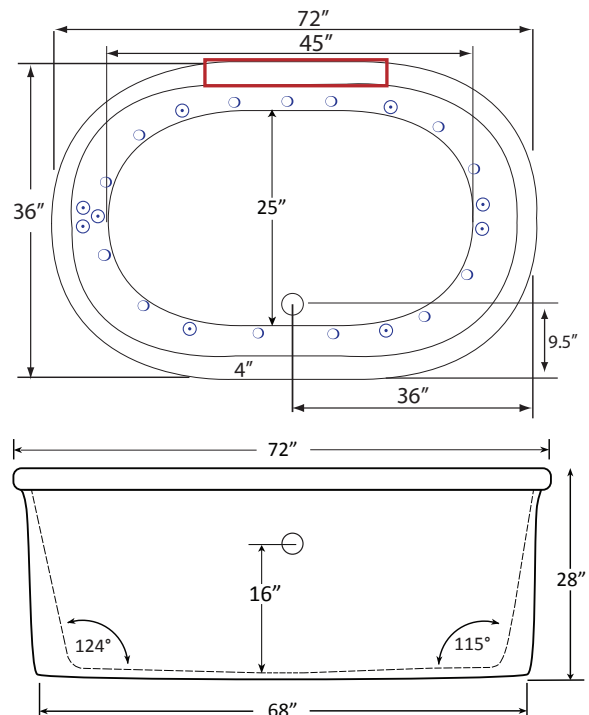
Side drain

ELECTRICAL REQUIREMENTS

(1) 115v 20AMP GFCI Circuits



Deck Mount Faucet Location



Specifications and features are subject to change without notice and are + .25". All final measurements should be taken from tub on site.
HydroMassage Products LLC • 303-341-1845 • Fax: 303-341-1850 • www.hydromassageproducts.com