

Ashley 7134 | Air A12 Massage Series

Product Number: ASA12J7134CDFS-A 71" x 34" x 23"



STANDARD & OPTIONAL ACCESSORIES

JETS: 12 Total

- 12 Classic Air Jets

PUMPS

- 1.0 Air Power 3-speed heated Air Pump
- Quiet Pad Anti-Vibration Mounted Pump

CONTROLS

Air Switch On/Off Control(s)

PURITY

HydroCleanse

DRAINS & OVERFLOWS INFORMATION

- Overflow: Integral Linear: Included- Polished Chrome or Brushed Nickel.
Optional - White.
- Bath Drain: Pop up: Included- Polished Chrome or Brushed Nickel.
Optional - White, Biscuit, Black, Polished Nickel, Oil Rubbed Bronze.
- In Floor Drain EZ Fast Connect (*optional*)

FAUCET INFORMATION

- Deck mount or Floor mount (not included)
- Floor mount verify spout distance
- Access panel required for Deck mount

STANDARD ACCESSORIES

EZ Level Base • FDA Recipe Non-Toxic Food & Beverage Grade Plumbing (primarily) • 30 Point Quality Assurance Factory Test

ADDITIONAL INFORMATION

6" or more space required to access equipment panel. Tub may also need to be shifted or disconnected in some situations.

Access panel equipment design and location may vary based on model.

Your licensed installer must water test and run all equipment before leaving your home to ensure proper operation and validate warranty.



TECHNICAL SPECIFICATIONS

Center drain.

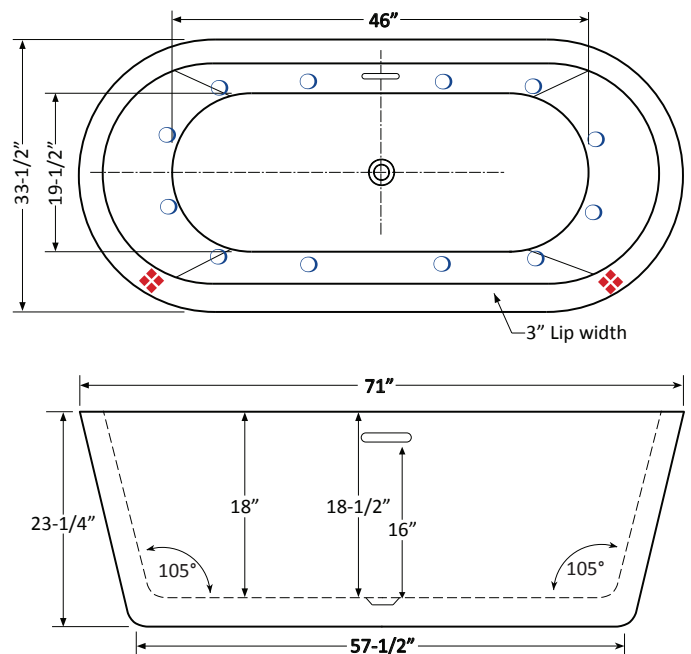
Pump Location(s): Standard access

ELECTRICAL REQUIREMENTS

(1) 115v 20AMP GFCI Circuits



◆ Equipment Access Panel



Specifications and features are subject to change without notice and are + .25". All final measurements should be taken from tub on site.

HydroMassage Products LLC • 303-341-1845 • Fax: 303-341-1850 • www.hydromassageproducts.com