

# Catalina 6036 | H9 Water Massage Series

Product Number: CAH9J6036FS-A 60" x 36" x 25"



## STANDARD & OPTIONAL ACCESSORIES

### JETS: 9 Total

- 5 Ultra Flow Water Massage Jets
- 4 Micro Flow Water Massage Jets

### PUMPS

2.25 Hydropower 1-speed Pump  
Quiet Pad Anti-Vibration Mounted Pumps

### CONTROLS

Air Switch On/Off Control(s) for Hydro Pump

### PURITY

Hydro Clean Water Purity System • HydroCleanse

### DRAINS & OVERFLOWS INFORMATION

- Overflow: Integral Round: Included- Polished Chrome or Brushed Nickel.  
**Optional**- White, Biscuit, Black, Polished Nickel, Oil Rubbed Bronze.
- Bath Drain: Pop up: Included- Polished Chrome or Brushed Nickel.  
**Optional**- White, Biscuit, Black, Polished Nickel, Oil Rubbed Bronze.
- In Floor Drain EZ Fast Connect (**optional**)

### FAUCET INFORMATION

- Deck Mount or Floor mount (not included)
- Access Panel required for Deck faucet (**optional**)
- Floor mount verify spout distance

### STANDARD ACCESSORIES

EZ Level Base • FDA Recipe Non-Toxic Food & Beverage Grade Plumbing (primarily) • 30 Point Quality Assurance Factory Test

### ADDITIONAL INFORMATION

3" or more space required to access equipment panel. Tub may also need to be shifted or disconnected in some situations.

Access panel equipment design and location may vary based on model.

Your licensed installer must water test and run all equipment before leaving your home to ensure proper operation and validate warranty.



### TECHNICAL SPECIFICATIONS

End drain  
Pump Location(s): Standard #1 or LR #2  
– right or left side access

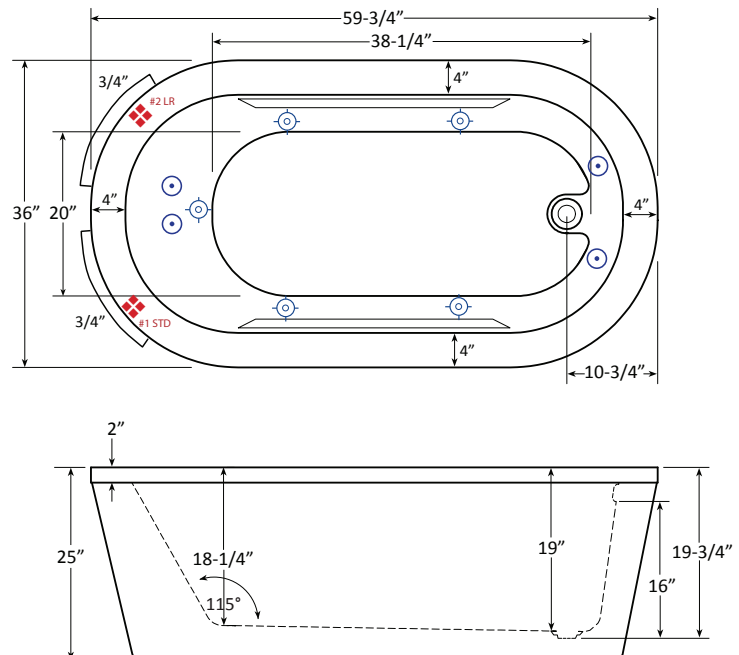
### ELECTRICAL REQUIREMENTS

(1) 115v 20AMP GFCI Circuits



Faucet Access Panel

Equipment Access Panel



Specifications and features are subject to change without notice and are + .25". All final measurements should be taken from tub on site.

HydroMassage Products LLC • 303-341-1845 • Fax: 303-341-1850 • [www.hydromassageproducts.com](http://www.hydromassageproducts.com)