

# Lila 5930 | Air A12 Massage Series

Product Number: LIA12J5930CDFS-A 59" x 30" x 24"



## STANDARD & OPTIONAL ACCESSORIES

### JETS: 12 Total

- 12 Classic Air Jets

### PUMPS

- 1.0 Air Power 3-speed heated Air Pump
- Quiet Pad Anti-Vibration Mounted Pump

### CONTROLS

Air Switch On/Off Control(s)

### PURITY

HydroCleanse

### DRAINS & OVERFLOWS INFORMATION

- Overflow: Integral Round: Included- Polished Chrome.  
Optional - White, Biscuit, Black, Brushed Nickel, Polished Nickel, Oil Rubbed Bronze.
- Bath Drain: Pop up: Included- Polished Chrome.  
Optional - White, Biscuit, Black, Brushed Nickel, Polished Nickel, Oil Rubbed Bronze.
- In Floor Drain EZ Fast Connect (optional)

### FAUCET INFORMATION

- Floor or Deck mount
- Floor mount verify spout distance
- Deck mount up 2.5" required access

### STANDARD ACCESSORIES

EZ Level Base • FDA Recipe Non-Toxic Food & Beverage Grade Plumbing (primarily) • 30 Point Quality Assurance Factory Test



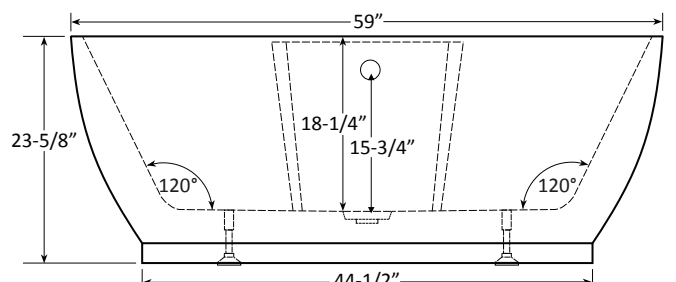
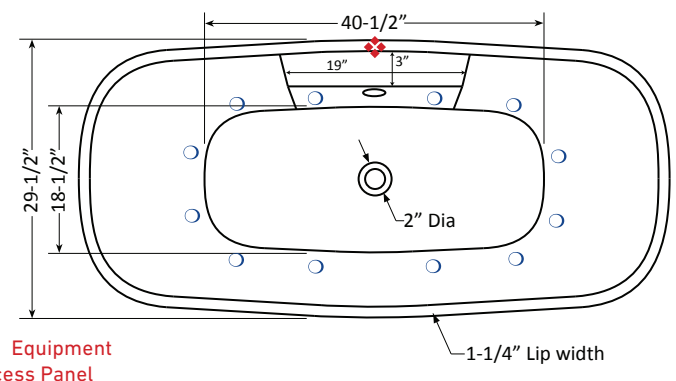
### TECHNICAL SPECIFICATIONS

Center drain.

Pump Location(s): Standard access

### ELECTRICAL REQUIREMENTS

(1) 115v 20AMP GFCI Circuits



Specifications and features are subject to change without notice and are + .25". All final measurements should be taken from tub on site.

HydroMassage Products LLC • 303-341-1845 • Fax: 303-342-1850 • [www.hydrmassageproducts.com](http://www.hydrmassageproducts.com)