

Mystique MYHS6032SKTF 60" x 32" x 22"

PRODUCT NUMBER: MYHS6032SKTF-LH & MYHS6032SKTF-RH 

HYDRO SILVER SERIES

Hydro Massage
Your Health ... Our Passion

TECHNICAL SPECIFICATIONS	
Drain	End drain
Pump Location(s): Select 1	Std. = Standard / Alt LF/RF Optional
Bath Weight (empty)	155 lbs
Gallons to Operate	38-56
ELECTRICAL SPECIFICATIONS	
Motor/Pump	(1) 115v 20AMP GFCI Circuits
Inline Stainless Steel Heater	(Opt) 115v 20AMP GFCI Circuit

BATHERS: 1	
INSTALLATION	
	DECK (D)
	UNDER MOUNT (U)
•	ALCOVE (A)
	FREESTANDING (F)
	CLAWFOOT (L)
	PEDESTAL (P)

Jet & Control placement may vary

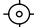



Skirt & Tile Flange - Integral skirt with velcro access panel



STANDARD FEATURES & ACCESSORIES for HYDRO SILVER SERIES BATHS _____

JETS

9 Water Jets
Tri-Zone Back Systems 3 Jets
Ultra Flow Jets 
Micro Flow Jets 

PUMPS

2.25 Hydropower 1-speed Pump
Quiet Pad Anti-Vibration Mounted Pump

CONTROLS

Air Switch On/Off Control(s)

PURITY

HydroClean Water Purity System
HydroCleanse

STANDARD ACCESSORIES

FDA Recipe Non-Toxic Food & Beverage Grade Plumbing (primarily)
30 Point Quality Assurance Factory Test
EZ Level Adjustable Legs
Integral Tile Flange

REQUIREMENTS

Pump Locations: Select 1
Electrical: one 115v GFCI Circuits

Tub should not be supported by the lip in any way. Level tub & screw or glue EZ Level adjustable legs to sub floor.

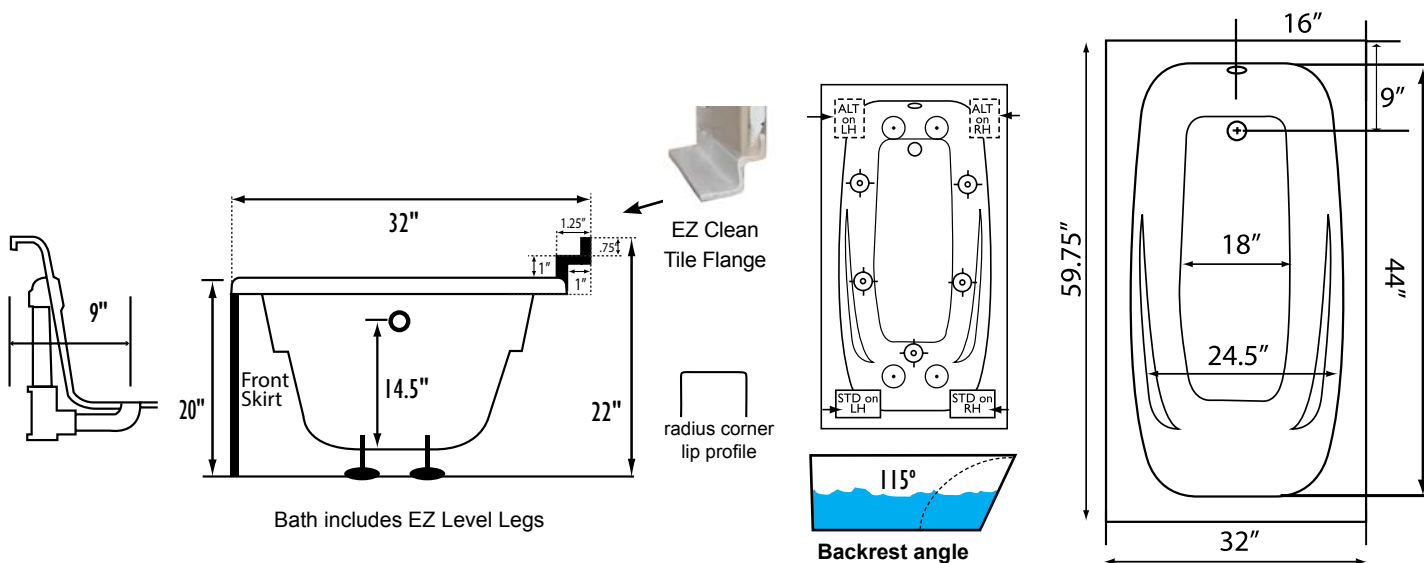
CUT OUT DIMENSIONS:

OVALS: A template will be provided
RECTANGLES: Subtract 1" to 1.5" from length & width for hole cut out size

EZ CLEAN CAST ACRYLIC LIMITED LIFETIME WARRANTY 

OPTIONAL FEATURES & ACCESSORIES

(Please type in the box below)



Some standard & most alternate pump locations may stickout past perimeter of the bath 1"-3". **NOTE: Graphics may not be to scale. Specifications and features are subject to change without notice and are ± .25". All final measurements should be taken from tub on site. Access 18"x 18" or larger is required for each pump. Consult your contractor for installation requirements.**