

# Mystique MYCP6632SKTF 66" x 32" x 22"

PRODUCT NUMBER: MYCP6632SKTF-LH & MYCP6632SKTF-RH 

## COMBINATION PLATINUM SERIES

*Hydro Massage*  
Your Health ... Our Passion

TECHNICAL SPECIFICATIONS	
Drain	End drain
Pump Location(s): Select 3	Std. = Standard / Alt LF/RF Optional
Bath Weight (empty)	165 lbs
Gallons to Operate	41-59
ELECTRICAL SPECIFICATIONS	
Motor/Pump	(3) 115v 20AMP GFCI Circuits
Inline Stainless Steel Heater	(1) 115v 20AMP GFCI Circuit

BATHERS: 1	
INSTALLATION	
	DECK (D)
	UNDER MOUNT (U)
•	ALCOVE (A)
	FREESTANDING (F)
	CLAWFOOT (L)
	PEDESTAL (P)

Jet & Control placement may vary








Skirt & Tile Flange - Integral skirt with velcro access panel



### STANDARD FEATURES & ACCESSORIES for COMBINATION PLATINUM SERIES BATHS

#### JETS

38 Air & Water Massage Jets  
 Back Massage System(s) (7 Jets)  
 Neck Massage Pillow (2 Jets)   
 Sole Soother Jet(s)   
 Accumassage Back & Neck Jets   
 Ultra Flow Jets   
 Classic Air Jets   
 EZ Clean Air Jets (optional) **X**

#### PUMPS

Two 2.25 Hydropower 3-speed Pumps (End Drain Tubs)  
 1.25 Air Power Variable Speed, Pulse & Wave heated Air Pump  
 Quiet Pad Anti-Vibration Mounted Pump

#### HEATERS

Stainless Steel Heater  
 Warm Back Rest Tubing Zone

#### CONTROLS

Air Switch On/Off for Chromatherapy Lighting  
 Air Switch On/Off with digital Temperature Readout Hydro Pumps  
 Electronic Variable Speed Air Massage Control with Automatic Purge & Dry Cycle Control Air Pump  
 3 Speed Massage: High, Medium or Low

#### PURITY

HydroClean Water Purity System  
 HydroCleanse

#### OPTIONAL FEATURES & ACCESSORIES (Please type in the box below)

#### STANDARD ACCESSORIES

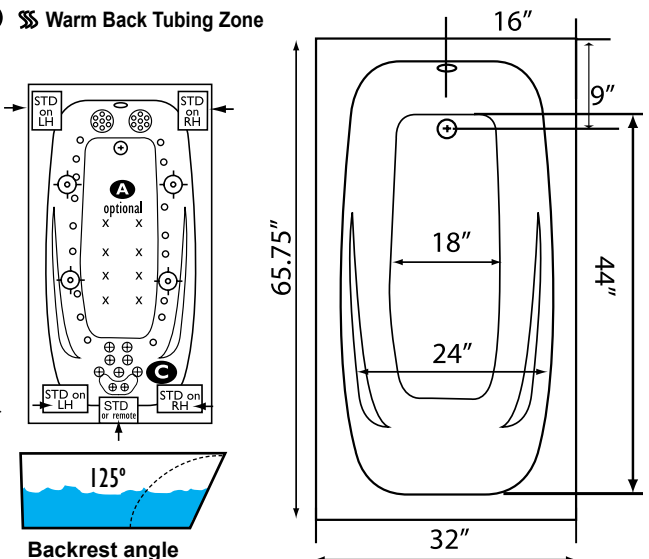
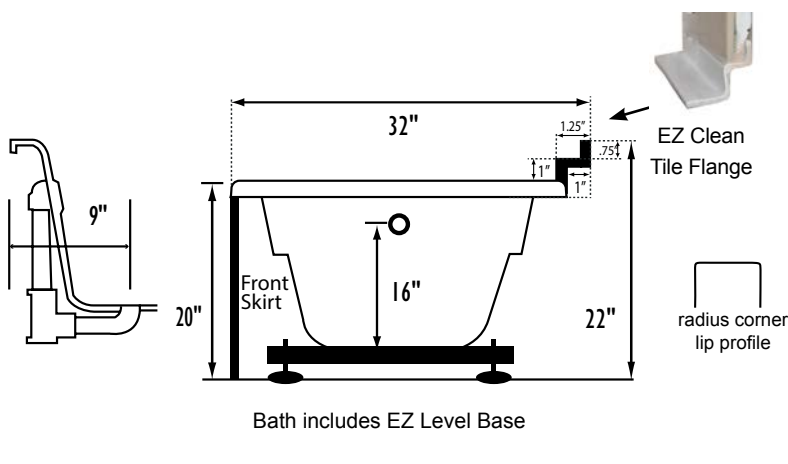
Grab Bar(s) - 2 on End Drain baths White, Biscuit, Bone, Brushed Nickel, Polished Chrome  
 Chromatherapy Lighting  
 Deluxe Cable Drain - White, Biscuit, Bone, Brushed Nickel, Oil Rubbed Bronze, Polished Chrome  
 Deluxe Cushion Pillow on 2 person baths  
 Neck Massage Pillow  
 Integral Tile Flange  
 EZ Level Base  
 FDA Recipe Non-Toxic Food & Beverage Grade Plumbing (primarily)  
 30 Point Quality Assurance Factory Test

#### REQUIREMENTS

Pump Locations: Select 3  
 Electrical: Four 115v 20amp GFCI Circuits  
 Cable Drain and Grab Bars: Select Color / Finish  
**Tub should not be supported by the lip in any way. Level tub & screw or glue EZ Level adjustable legs to sub floor.**  
**CUT OUT DIMENSIONS:**  
**OVALS:** A template will be provided  
**RECTANGLES:** Subtract 1" to 1.5" from length & width for hole cut out size

#### EZ CLEAN CAST ACRYLIC LIMITED LIFETIME WARRANTY

- A** **X** **HTT® Leg Therapy Air Massage System** includes 10 Air Jets on the floor. Optional on Combo Plat and Combo Gold Series
- B** **X** **6 Jet HTT® Back Massage System:** N/A on Combo Series-Standard on Plat series
- C** **Warm Back Tubing Zone**



Some standard & most alternate pump locations may stickout past perimeter of the bath 1"-3". NOTE: Graphics may not be to scale. Specifications and features are subject to change without notice and are ± .25". All final measurements should be taken from tub on site. Access 18"x 18" or larger is required for each pump. Consult your contractor for installation requirements.