

# Oasis 6632CD | Heated Soak Series

Product Number: OASS6632CDFS-A 66" x 32" x 24"



## STANDARD & OPTIONAL ACCESSORIES

### CIRCULATION PORTS

- ← 1 Inlet
- ← 1 Outlet

### PUMPS

- Whisper Flo Heat Pump
- Quiet Pad Anti-Vibration Mounted Pump

### CONTROLS

- Air Switch On/Off Control(s) for Heat Pump

### PURITY

- HydroCleanse

### DRAINS & OVERFLOWS INFORMATION

- Overflow: Integral Round: Included- Polished Chrome or Brushed Nickel.  
*Optional* - White, Biscuit, Black, Polished Nickel, Oil Rubbed Bronze.
- Bath Drain: Pop up: Included- Polished Chrome or Brushed Nickel.  
*Optional* - White, Biscuit, Black, Polished Nickel, Oil Rubbed Bronze.
- In Floor Drain EZ Fast Connect (*optional*)

### FAUCET INFORMATION

- Floor mount (not included)
- Floor mount verify spout distance

### STANDARD ACCESSORIES

- EZ Clean Cast Acrylic • FDA Recipe Non-Toxic Food & Beverage Grade Plumbing (primarily) • 30 Point Quality Assurance Factory Test • EZ Level Adjustable Legs

### ADDITIONAL INFORMATION

6" or more space required to access equipment panel. Tub may also need to be shifted or disconnected in some situations.

Access panel equipment design and location may vary based on model.

Your licensed installer must water test and run all equipment before leaving your home to ensure proper operation and validate warranty.

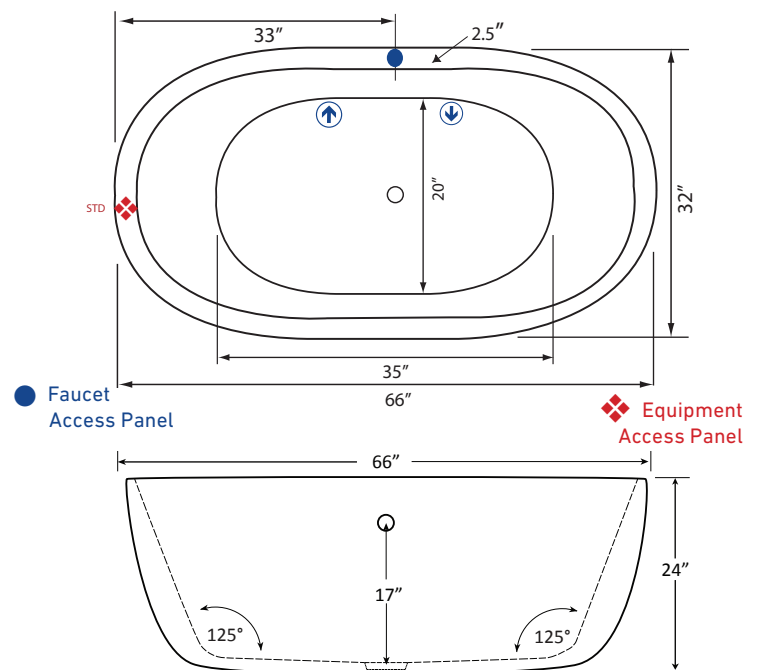


### TECHNICAL SPECIFICATIONS

- Center drain
- Pump Location(s): Standard access

### ELECTRICAL REQUIREMENTS

- (1) 115v 20AMP GFCI Circuits



Specifications and features are subject to change without notice and are + .25". All final measurements should be taken from tub on site.

HydroMassage Products LLC • 303-341-1845 • Fax: 303-341-1850 • [www.hydromassageproducts.com](http://www.hydromassageproducts.com)