

Rosabella 6636SD | Heated Soak Series

Product Number: ROSS6636SDFS-A 66" x 36" x 28"



STANDARD & OPTIONAL ACCESSORIES

CIRCULATION PORTS

- 1 Inlet
- 1 Outlet

PUMPS

- Whisper Flo Heat Pump
- Quiet Pad Anti-Vibration Mounted Pump

CONTROLS

- Air Switch On/Off Control(s) for Heat Pump

PURITY

- HydroCleanse

DRAINS & OVERFLOWS INFORMATION

- Overflow: Integral Slotted in Acrylic – no finishes available
- Bath Drain: Pop up: Included - Polished Chrome or Brushed Nickel
Optional: White, Biscuit, Black, Polished Nickel, Oil Rubbed Bronze
- In Floor Drain EZ Fast Connect (optional)

FAUCET INFORMATION

- Deck Mount or Floor mount (not included & no faucet holes drilled)
- Access Panel recommended for Deck faucet (optional)
- Floor mount verify spout distance

STANDARD ACCESSORIES

- EZ Clean Cast Acrylic • FDA Recipe Non-Toxic Food & Beverage Grade Plumbing (primarily) • 30 Point Quality Assurance Factory Test • EZ Level Adjustable Legs

OPTIONAL ACCESSORIES

- Cozy Heated Back System • Deluxe Cushion Pillow • Chromatherapy Lighting

ADDITIONAL INFORMATION

3" or more space required to access equipment panel. Tub may also need to be shifted or disconnected in some situations. Access panel equipment design and location may vary based on model. Your qualified installer must water test and run all equipment before leaving your home to ensure proper operation and validate warranty.

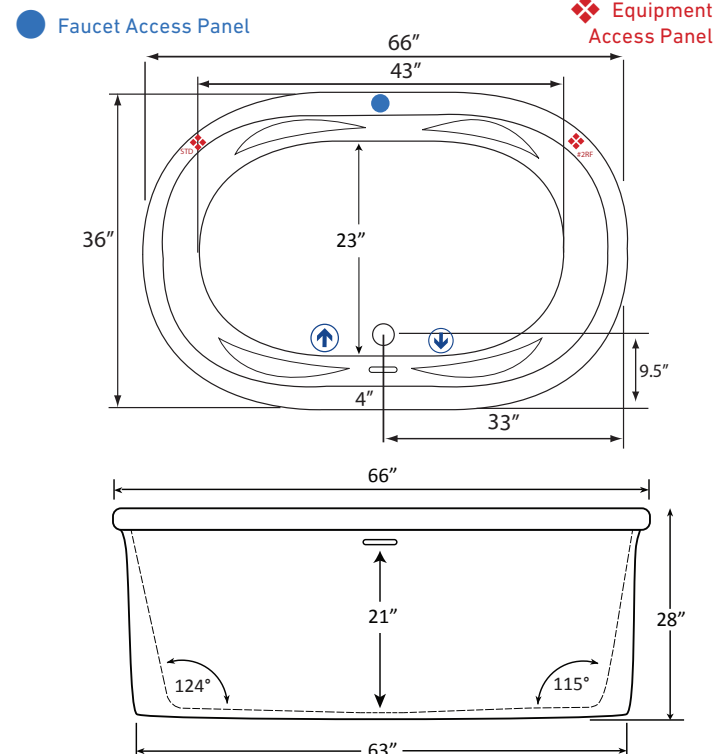


TECHNICAL SPECIFICATIONS

- Side drain
- Pump Location(s): Standard or #2 RF

ELECTRICAL REQUIREMENTS

- (1) 115v 20AMP GFCI Circuits



Specifications and features are subject to change without notice and are + .25". All final measurements should be taken from tub on site.
HydroMassage Products LLC • 303-341-1845 • Fax: 303-341-1850 • www.hydromassageproducts.com