

# R Transfer Bath RTCS5030-RH

50" x 30" x 40"

COMBINATION SILVER SERIES

*Hydro Massage*  
Your Health ... Our Passion

PRODUCT NUMBER: RTCS5030-RH 

TECHNICAL SPECIFICATIONS	
Drain	Side drain
Pump Location(s)	Std. = Standard
Bath Weight (empty)	185 lbs
Gallons to Operate	40-60
ELECTRICAL SPECIFICATIONS	
Motor/Pump	(2) 115v 20AMP GFCI Circuits
Inline Stainless Steel Heater	(Opt.) 115v 20AMP GFCI Circuit




BATHERS: 1	
INSTALLATION	
	DECK (D)
	UNDER MOUNT (U)
•	ALCOVE (A)
	FREESTANDING (F)
	CLAWFOOT (L)
	PEDESTAL (P)



Jet & Control placement may vary

## STANDARD FEATURES & ACCESSORIES for COMBINATION SILVER SERIES BATHS \_\_\_\_\_

### JETS

- 21 Air & Water Massage Jets
- Ultra Flow Jets 
- Micro Flow Jets 
- Classic Air Jets 

### PUMPS

- 2.25 Hydropower 1-speed Pump
- 1.0 Air Power 3-Speed Warm Air Pump
- Quiet Pad Anti-Vibration Mounted Pump

### CONTROLS

- Air Switch On/Off Control(s)
- Automatic Purge & Dry Cycle Control

### PURITY

- HydroClean Water Purity System
- HydroCleanse

### COLOR

Only Available in White

### STANDARD ACCESSORIES

- Quick Drain Stopper & Chain
- EZ Level Adjustable Legs
- Mood Light
- Deluxe Cable Drain - Polished Chrome
- Deluxe Cushion Pillow
- FDA Recipe Non-Toxic Food & Beverage Grade Plumbing (primarily)
- 30 Point Quality Assurance Factory Test

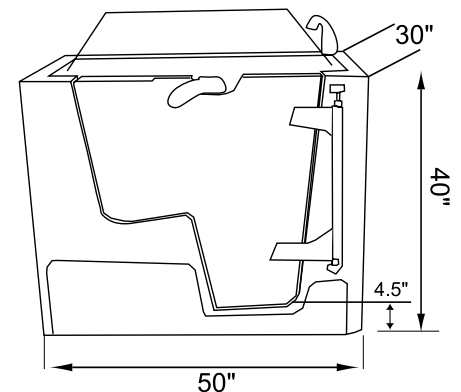
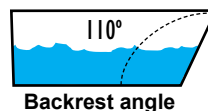
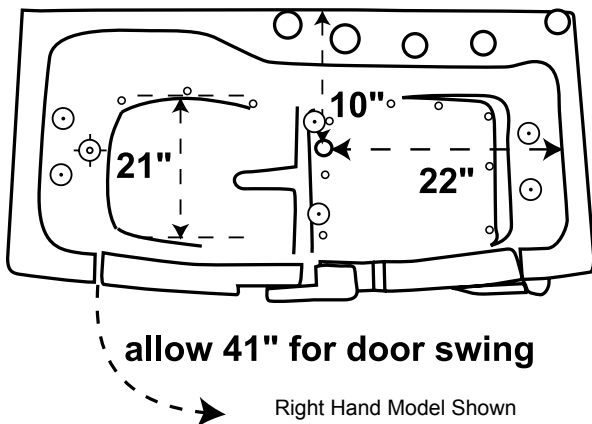
### REQUIREMENTS

- Pump Locations: Standard
- Electrical: two 115v 20AMP GFCI Circuits
- Tube should not be supported by the lip in any way.**
- Level tub & screw or glue EZ Level adjustable legs to sub floor.**
- CUT OUT DIMENSIONS:**
  - OVALS:** A template will be provided
  - RECTANGLES:** Subtract 1" to 1.5" from length & width for hole cut out size

LIMITED LIFETIME WARRANTY  US ANSI

## OPTIONAL FEATURES & ACCESSORIES

(Please type in the box below)



Some standard & most alternate pump locations may stickout past perimeter of the bath 1"-3". NOTE: Graphics may not be to scale. Specifications and features are subject to change without notice and are  $\pm .25"$ . All final measurements should be taken from tub on site. Access 18"x 18" or larger is required for each pump. Consult your contractor for installation requirements.