

Savannah 7236SD | Air A12 Massage Series

Product Number: SAA12J7236SDFS-A 72" x 36" x 25" 



STANDARD & OPTIONAL ACCESSORIES

JETS: 12 Total

- 12 Classic Air Jets

PUMPS

1.0 Air Power 3-speed heated Air Pump
Quiet Pad Anti-Vibration Mounted Pump

CONTROLS

Air Switch On/Off Control(s)

PURITY

HydroCleanse

DRAINS & OVERFLOWS INFORMATION

- Overflow: Integral Round or Linear: Included Polished Chrome
Optional: White, Biscuit, Black, Brushed Nickel, Polished Nickel, Oil Rubbed Bronze
- Bath Drain: Pop up: Included Polished Chrome
Optional: White, Biscuit, Black, Brushed Nickel, Polished Nickel, Oil Rubbed Bronze
- In Floor Drain EZ Fast Connect (**optional**)

FAUCET INFORMATION

- Deck Mount or Floor mount (not included)
- Access Panel required for Deck faucet (**optional**)
- Floor mount verify spout distance

STANDARD ACCESSORIES

EZ Level Base • FDA Recipe Non-Toxic Food & Beverage Grade Plumbing (primarily) • 30 Point Quality Assurance Factory Test



TECHNICAL SPECIFICATIONS

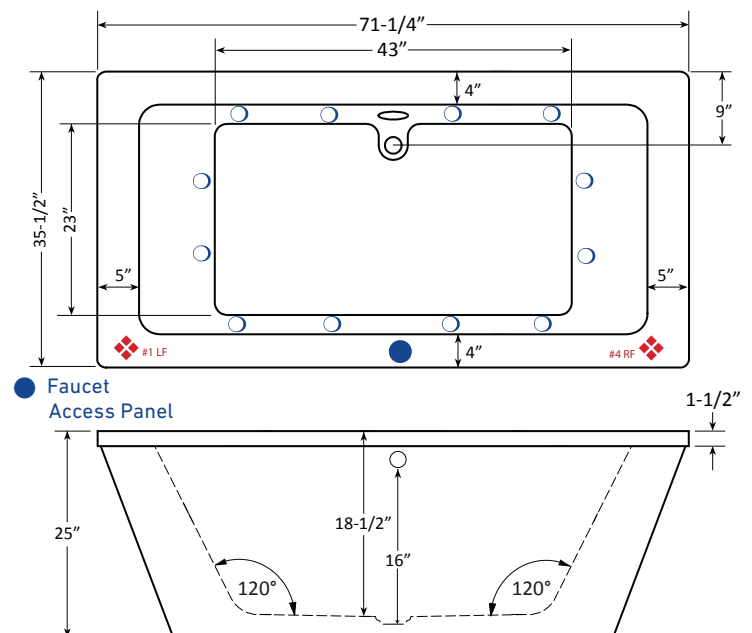
Side drain
Pump Location(s): #1 LF or #4 RF
– right or left side access

ELECTRICAL REQUIREMENTS

(1) 115v 20AMP GFCI Circuits



 Equipment Access Panel



Specifications and features are subject to change without notice and are + .25". All final measurements should be taken from tub on site.

HydroMassage Products LLC • 303-341-1845 • Fax: 303-342-1850 • www.hydromassageproducts.com