

Savannah 7236SD | H12 Water Massage Series

Product Number: SAH12J7236SDFS-A 72" x 36" x 25"



STANDARD & OPTIONAL ACCESSORIES

JETS: 12 Total

- ⊕ 6 AccuMassage Jets Back & Shoulder Jets
- ⊖ 6 Ultra Flow Water Jets

PUMPS

2.25 Hydropower 1-speed Pump
Quiet Pad Anti-Vibration Mounted Pumps

HEATERS

Stainless Steel Heater

CONTROLS

Air Switch On/Off Control(s)

PURITY

Hydro Clean Water Purity System • HydroCleanse



TECHNICAL SPECIFICATIONS

Side drain.
Pump Location(s): #1 LF or #4 RF

ELECTRICAL REQUIREMENTS

(2) 115v 20AMP GFCI Circuits

DRAINS & OVERFLOWS INFORMATION

- Overflow: Integral Round or Linear: Included Polished Chrome
Optional: White, Biscuit, Black, Brushed Nickel, Polished Nickel, Oil Rubbed Bronze
- Bath Drain: Pop up: Included Polished Chrome
Optional: White, Biscuit, Black, Brushed Nickel, Polished Nickel, Oil Rubbed Bronze
- In Floor Drain EZ Fast Connect (*optional*)

FAUCET INFORMATION

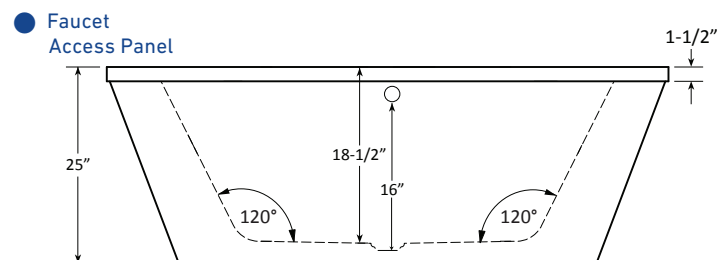
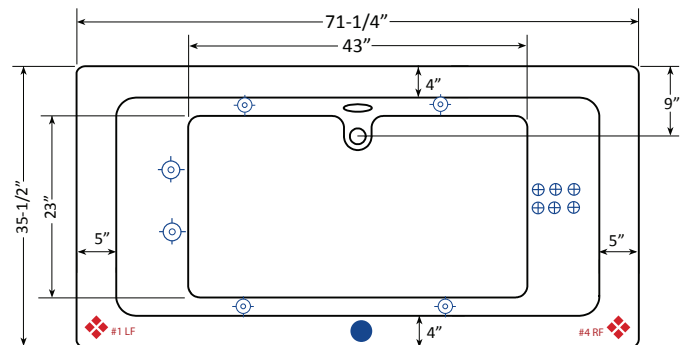
- Deck Mount or Floor mount (not included)
- Access Panel required for Deck faucet (*optional*)
- Floor mount verify spout distance

STANDARD ACCESSORIES

- Mood Light • Deluxe Cushion Pillow • EZ Level Base • FDA Recipe Non-Toxic Food & Beverage Grade Plumbing (primarily)
- 30 Point Quality Assurance Factory Test



Equipment Access Panel



Specifications and features are subject to change without notice and are + .25". All final measurements should be taken from tub on site.

HydroMassage Products LLC • 303-341-1845 • Fax: 303-342-1850 • www.hydromassageproducts.com