

Savannah 7236SD | H9 Water Massage Series

Product Number: SAH9J7236SDFS-A 72" x 36" x 25"



STANDARD & OPTIONAL ACCESSORIES

JETS: 9 Total

- 5 Ultra Flow Water Massage Jets
- 4 Micro Flow Water Massage Jets

PUMPS

2.25 Hydropower 1-speed Pump
Quiet Pad Anti-Vibration Mounted Pumps

CONTROLS

Air Switch On/Off Control(s) for Hydro Pump

PURITY

Hydro Clean Water Purity System • HydroCleanse

DRAINS & OVERFLOWS INFORMATION

- Overflow: Integral Round: Included- Polished Chrome.
Optional - White, Biscuit, Black, Brushed Nickel, Polished Nickel, Oil Rubbed Bronze.
- Bath Drain: Pop up: Included- Polished Chrome.
Optional - White, Biscuit, Black, Brushed Nickel, Polished Nickel, Oil Rubbed Bronze.
- In Floor Drain EZ Fast Connect (optional)

FAUCET INFORMATION

- Deck Mount or Floor mount (not included)
- Access Panel required for Deck faucet (optional)
- Floor mount verify spout distance

STANDARD ACCESSORIES

EZ Level Base • FDA Recipe Non-Toxic Food & Beverage Grade Plumbing (primarily) • 30 Point Quality Assurance Factory Test



TECHNICAL SPECIFICATIONS

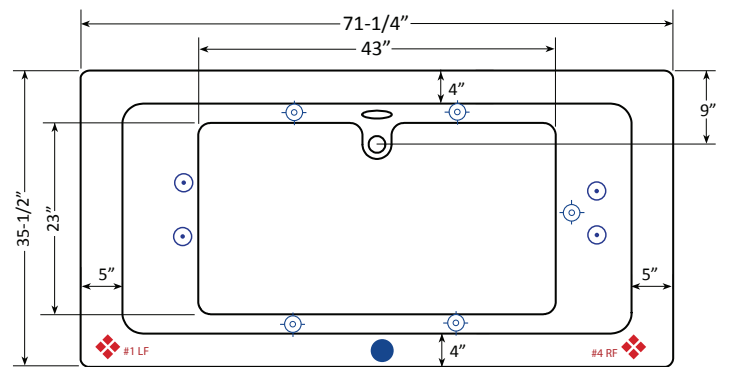
Side drain.
Pump Location(s): #1 LF or #4 RF
– right or left side access

ELECTRICAL REQUIREMENTS

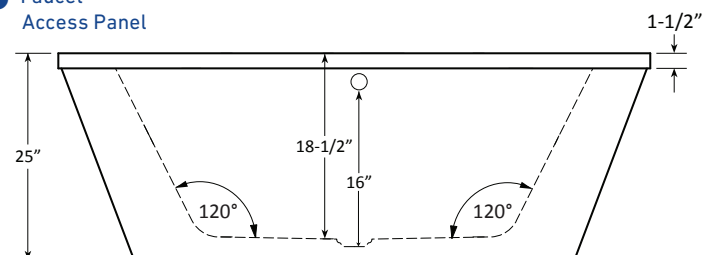
(1) 115v 20AMP GFCI Circuits



Equipment Access Panel



Faucet Access Panel



Specifications and features are subject to change without notice and are + .25". All final measurements should be taken from tub on site.

HydroMassage Products LLC • 303-341-1845 • Fax: 303-342-1850 • www.hydromassageproducts.com