

# Tiffany 6730 | Air A30 Massage Series

Product Number: TIA30J6730CDFS 67" x 30" x 24"



## STANDARD & OPTIONAL ACCESSORIES

### JETS: 30 Total

- X 18 EZ Clean HTT Air Jets
- X 6 EZ Clean HTT Back Air Jets
- X 6 EZ Clean HTT Foot Air Massage Jets

### PUMPS

Air pump remote

### CONTROLS

Remote control for Chromotherapy and Variable Speed Air Massage  
Automatic Purge & Dry Cycle Control

### PURITY

HydroCleanse



### TECHNICAL SPECIFICATIONS

Center drain.  
Pump Location: Remote only

### ELECTRICAL REQUIREMENTS

(1) 115v 20AMP GFCI Circuit

### DRAINS & OVERFLOWS INFORMATION

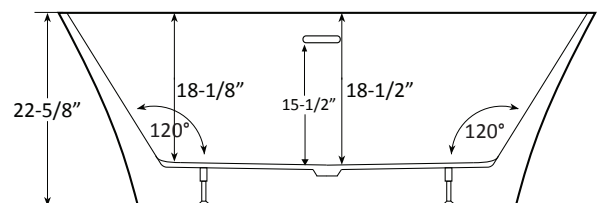
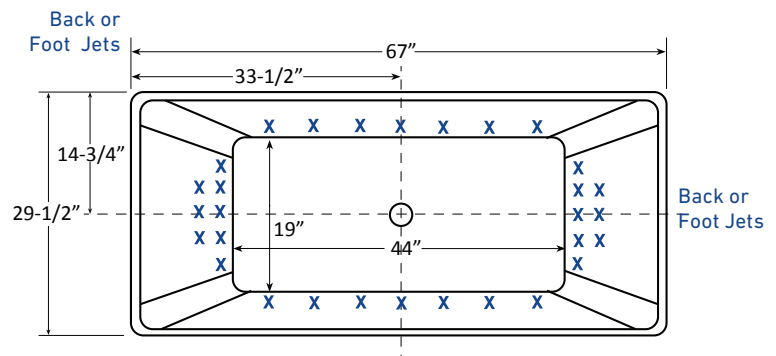
- Overflow: Integral Linear: Included- Polished Chrome.  
Optional - White, Biscuit, Black, Brushed Nickel, Polished Nickel, Oil Rubbed Bronze.
- Bath Drain: Pop up: Included- Polished Chrome.  
Optional - White, Biscuit, Black, Brushed Nickel, Polished Nickel, Oil Rubbed Bronze.
- In Floor Drain EZ Fast Connect (optional)

### FAUCET INFORMATION

- Floor mount – verify spout distance

### STANDARD ACCESSORIES

Chromotherapy Lighting • Deluxe Cushion Pillow • EZ Level Base • FDA Recipe Non-Toxic Food & Beverage Grade Plumbing (primarily) • 30 Point Quality Assurance Factory Test



Specifications and features are subject to change without notice and are + .25". All final measurements should be taken from tub on site.

HydroMassage Products LLC • 303-341-1845 • Fax: 303-342-1850 • [www.hydromassageproducts.com](http://www.hydromassageproducts.com)